

greenworks®

Greenworks Optimow 10/ Greenworks Optimow 15

EN	Robotic Lawnmower	OPERATOR'S MANUAL
DE	Rasenmäroboter	BEDIENUNGSHANDBUCH
ES	Cortacésped robótico	MANUAL DEL OPERARIO
IT	Gogo Tosaerba	MANUALE DI ISTRUZIONI
FR	Tondeuse à gazon robotique	MANUEL OPÉRATEUR
PT	Corta-relva robótico	MANUAL DO OPERADOR
NL	Robotmaaier	GEBRUIKERSHANDLEIDING
RU	Роботизированная газонокосилка	РУКОВОДСТВО ОПЕРАТОРА
FI	Robottiruohonleikkuri	KÄYTTÖOPAS
SV	Robotgräsklippare	ANVÄNDARHANDBOK
NO	Robotklipper	BRUKERHÅNDBOK
DA	Robotplæneklipper	BRUGERVEJLEDNING
PL	Robokosiarka	INSTRUKCJA OBSŁUGI
CS	Robotická sekačka na trávu	NÁVOD K OBSLUZE
SK	Robotická kosačka	NÁVOD NA OBSLUHU
SL	Robotska kosilnica	PRIROČNIK ZA UPRAVLJAVCA
HR	Robotska kosilica	PRIRUČNIK ZA RUKOVATELJE
HU	Robotfűnyíró	KEZELŐI KÉZIKÖNYV
RO	Robot de tuns iarba	MANUAL DE INSTRUCȚIUNI
BG	Роботизирана ливадна косачка	РЪКОВОДСТВО НА ОПЕРАТОРА
LT	Robotas vejaminė	OPERATORIAUS VADOVAS
LV	Robotizēts zāles pļāvējs	LIETOTĀJA ROKASGRĀMATA
ET	Robotmuruniiduk	KASUTUSJUHEND



Original instructions/Übersetzung der ursprünglichen Anweisungen/Traducción de las instrucciones originales/Traduzione delle istruzioni originali/Traduction des instructions d'origine/Tradução das instruções originais/Vertaling van de originele gebruiksaanwijzing/Перевод оригинальных инструкций/Alkuperäisten käyttöohjeiden käänös/Översättning av originalanvisningarna/Oversettelse av den originale bruksanvisningen/Oversættelse af den originale instruktionsbog/Tłumaczenie oryginalnej instrukcji/Překlad originálního návodu/Preklad originálneho návodu/Prevod izvornih navodil/Prijevod izvornih uputa/Az eredeti utasítás fordítása/Traducere a instrucțiunilor originale/Превод на оригиналните инструкции/Originalių instrukcijų vertimas/Originālie norādījumi/Originaalkasutusjuhend

The following pages contain safety instructions, servicing and maintenance. For the operation please see the quick guide supplied with the machine.

Carefully read and review all safety instructions, warnings and cautions contained in this manual and the quick guide.

Failure to read and follow these instructions, warnings and cautionary statements may result in severe injury or death to persons and pets or damage to personal property.

THE FULL INSTRUCTION MANUAL IS AVAILABLE ON WEBSITE:

<https://url.globetools.systems/AmPHO>

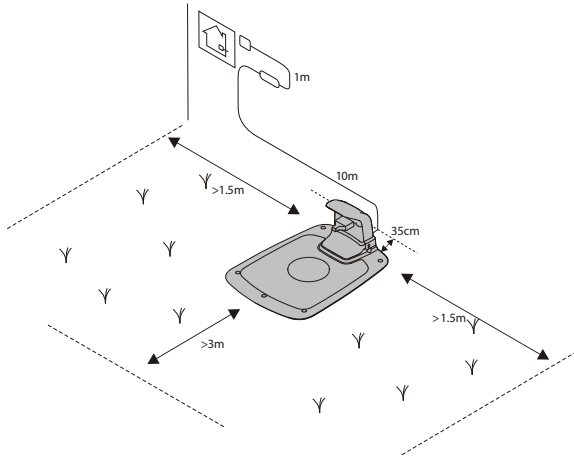
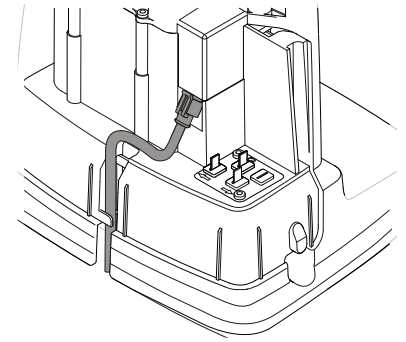
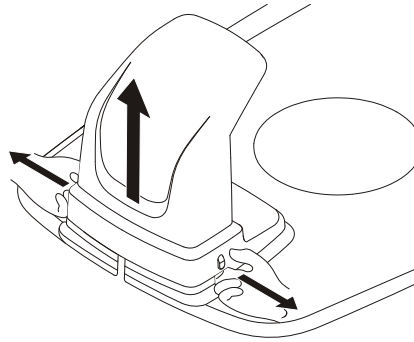
QR code:



Contents

Installation	2
Connecting the power supply	2
Installing the boundary wire.....	2
Product Safety.....	3
Explanation of symbols on the mower	3
Reading the operator manual.....	3
Operational safety	5
Environmental Protection.....	6
Troubleshooting.....	7
Indicator leds on mower	7
Breaks in boundary wire and guide wire.....	7
Technical Data.....	8
CE Declaration of Conformity.....	9
Declaration of Conformity (UK)	10

The materials, technical data, and figures in this manual are provided for guidance only and are not binding. The manufacturer reserves the right to make any changes to the technical characteristics and all features of operation, materials, technical data, or figures without prior warning.



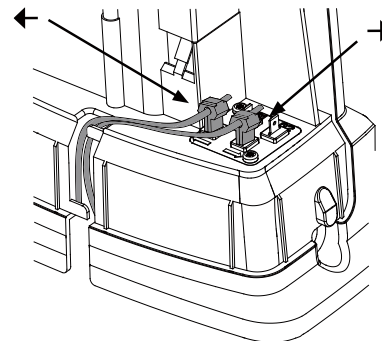
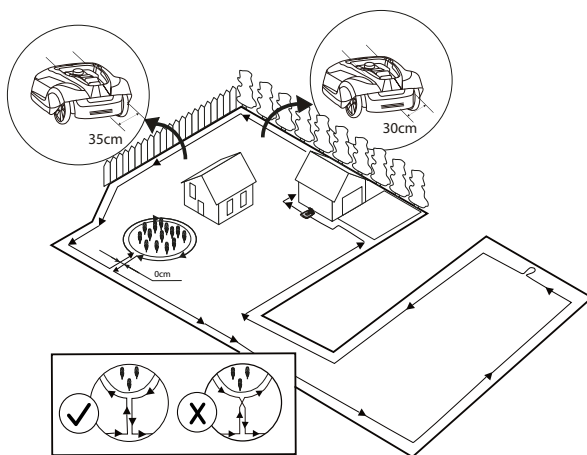
CONNECTING THE POWER SUPPLY

Connect the power supply in a cool, dry environment; out of direct sunlight.

If the power supply is connected to an electrical socket outdoors, it must be approved for outdoor use.

The low voltage cable can cross the operating area if it is stapled down or buried.

CAUTION: Do not cut, splice, or alter the low voltage cable. Altering product guarantee.



INSTALLING THE BOUNDARY WIRE

Lay down the loop wire reel at the charging station.

Go back around the boundary of the operating area and secure the boundary wire either using pegs or buried in the ground. Pegs are recommended since this allows for adjustment during the first few weeks of operation.

When securing the boundary wire with pegs:

- Cut the grass very low with a standard lawnmower or a trimmer where the wire is to be laid.
- Lay the boundary wire on the ground and secure with pegs close together.
- Push or hammer the pegs into the ground.

Do not push the pegs so far into the ground so that they strain the boundary wire.

When burying the boundary wire:

- Bury the boundary wire 1—20 cm into the ground.

Please see the complete manual online for the guide wire installation.



As a complement to this operator manual, more information is available on the website: www.greenworkstools.eu

EXPLANATION OF SYMBOLS ON THE MOWER



This is a dangerous power tool. Use care when operating and follow all safety instructions and warnings.

Read the operator manual carefully before operating the mower.



Remove the safety key before working on or lifting the mower.



Hazard of thrown objects during operation.

Keep a safe distance from the mower when operating and keep people, especially children, pets and bystanders away from the area where mower is being operated.



Do not ride on the mower.



Class III appliance

READING THE OPERATOR MANUAL

The following symbols are important for reading and understanding the operating instructions.



Wear protective gloves

The following system is used in the operator manual to make it easier to understand:

- **WARNING!** Warning texts alert users and consumers to the existence and nature of hazards so that they can prevent injury by appropriate conduct during use of the product.
- **CAUTION:** Caution texts alert users and consumers to the existence and nature of product risks so that they can prevent damaging the product by appropriate conduct during use of the product.
- **NOTE:** Notes inform users and consumers about additional information about product use.
- Text written in ***bold italics*** refers to another section in the operator manual.
- Text written in **bold** refers to settings on the mower.

IMPORTANT

READ CAREFULLY BEFORE USE! KEEP FOR FUTURE REFERENCE!

Training

WARNING! Automatic lawnmower! Supervise children!

- Read the instructions carefully. Be familiar with the controls and the proper use of the machine.
- Never allow people unfamiliar with these instructions or children to use the machine. Local regulations may restrict the age of the operator.
- The operator or user is responsible for accidents or hazards occurring to other people or their property.

Preparation

- Ensure the correct installation of boundary and guide wires as instructed.
- Periodically inspect the area where the machine is to be used and remove all stones, sticks, wires, bones, and other foreign objects.
- Periodically visually inspect to see that the blades, blade bolts and cutter assembly are not worn or damaged. Replace worn or damaged blades and bolts in sets to preserve balance.

Operation

- Never operate the machine with defective guards, or without safety devices, for example the body, in place.
- Do not put hands or feet near or under rotating parts.
- Never pick up or carry an machine while the motor is running.
- Remove (or Operate) the disabling device from the machine
 - before clearing a blockage;
 - before checking, cleaning or working on the machine.
- Do not leave the machine to operate unattended if you know that there are pets, children or people in the vicinity.

Maintenance and storage

- Keep all nuts, bolts, and screws tight to be sure the machine is in safe working condition.
- Replace worn or damaged parts for safety.
- Ensure that only replacement cutting means of the right type are used.
- Ensure that batteries are charged using the correct charger recommended by the manufacturer. Incorrect use may result in electric shock, overheating or leakage of corrosive liquid from the battery.
- In the event of leakage of electrolyte flush with water/neutralizing agent, seek medical help if it comes into contact with the eyes, etc.
- Servicing of the machine should be according to manufacturers' instructions.

WARNING! For the purposes of recharging the battery, only use the detachable supply unit provided with this appliance.

WARNING! This appliance contains batteries that are only replaceable by a skilled persons.

Operation

STARTING AND STOPPING THE MOWER

To start the mower:

- 1** Insert the safety key and rotate counter clockwise to position "1".
- 2** Slide the **START** button latch backwards.
- 3** Press down the **START** button.

To stop the mower:

Press the **STOP** button on the mower.

SWITCHING OFF THE MOWER

Press the **STOP** button on the mower and remove the safety key.

WARNING! Always remove the safety key when performing maintenance or if the mower must be moved.

OPERATIONAL SAFETY

This operator manual contains all of the basic information concerning the safe operation and maintenance of the mower.



Carefully read all the safety precautions and instructions in this operator manual before operating the mower. Save this operator manual for future reference. Follow manufacturer instructions regarding installation, operation, maintenance, and repair.

This mower is designed to mow grass in open and level areas. Use only equipment recommended by the manufacturer. All other types of use are incorrect.



This mower conforms to CE safety standards and directives concerning electromagnetic compatibility, machines, and low voltage.



The mower is not intended for use by persons (including children) with reduced physical, sensory, or mental capabilities, or lack of experience and knowledge, unless they have been given supervision or instruction concerning use of the appliance by a person responsible for their safety.

Children should be supervised to ensure that they do not play with the appliance.

The mower must only be operated, maintained, and repaired by persons that fully understand its special characteristics and safety regulations.

Start the mower in accordance with the instructions. When the safety key is in the **Enabled** position, keep your hands and feet away from the rotating blades.

Never put your hands and feet under the mower.

Do not modify the original design of the mower. All modifications void the guarantee.

Switch off mower using the STOP button on the mower when persons, especially children, or pets are in the cutting area. It is recommended that the mower be programmed for use during hours when the area is free from persons or pets.

Remove objects from the operating area such as branches, toys, stones, tools that can damage the blades. The mower can fasten on objects in the operating area and help may be required to remove the object before the mower can continue mowing.

Never lift up the mower or carry it with the safety key inserted.

Always switch off the mower using the STOP button when the mower is not in use. The mower can only start when the safety key is inserted and the START button is pressed.

The built-in alarm is very loud. Be careful, especially if the mower is handled indoors.

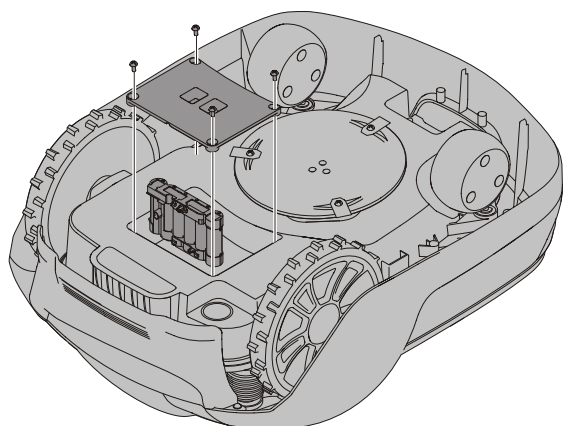
Do not use the mower with a defective blade disc or body.

Do not let persons who do not know how the mower works and behaves use it.

Do not put anything on top of the mower or its charging station.



Always wear protective gloves when working with the mower's blades.



WARNING! In the event of electrolyte leakage, flush with water/neutralizing agent and seek medical care if electrolyte comes in contact with the eyes.

Only charge the battery in the original charging station. Incorrect use may result in electric shock, overheating, or leakage of corrosive liquid from the battery.

The battery is maintenance-free, but has a limited service life of 2 to 4 years depending on the length of the season and how many hours a day the mower is used.

WARNING! Press the STOP button and remove the safety key before replacing batteries and wear protective gloves.

CAUTION: Use only original replacement parts.

Turn the mower upside down and remove the four Torx T20 screws and remove the battery cover.

Disconnect the battery terminal connector.

Lift the battery straight out.

Insert the new battery in slot 1 (the rear slot).

Connect the battery terminal connector to the new battery.

Put the battery cover back into place and insert and tighten the four Torx T20 screws.

Insert the safety key into the underside of mower and turn to the Enable position.

Place the mower into the charging station for enable and charging the battery.

Environmental Protection



According to the European law 2012/19/EU, electrical and electronic equipment that is no longer usable, and according to the European law 2006/66/EC, defective or used battery packs/batteries, must be collected separately and disposed of in an environmentally correct manner.

The symbol on the mower or its packaging indicates that this product cannot be treated as domestic waste. It should instead be left at a suitable recycling centre to recycle its electronic components and batteries.

The batteries are enclosed in the chassis under the mower.

By ensuring that this product is taken care of correctly, you can help to counteract the potential negative impact on the environment and people that can otherwise result through the incorrect waste management of this product.

For more detailed information about recycling this product, contact your municipality, your domestic waste service or the shop from where you purchased the product.



Separate collection of used machine and packaging let you recycle materials and use them again. Use of the recycled materials helps prevent environmental pollution and decreases the requirements for raw materials.

Batteries

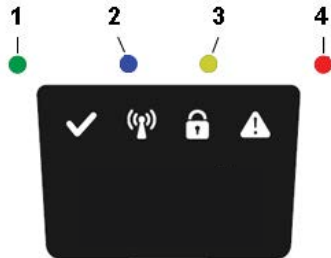


Li-ion

At the end of their useful life, discard batteries with a precaution for our environment. The battery contains material that is dangerous to you and the environment. You must remove and discard these materials separately at a equipment that accepts lithium-ion batteries.

This section also presents some symptoms that can guide you if the mower does not work as expected.

INDICATOR LEDS ON MOWER



LED	STATUS	MEANING	ACTION
1. Operating (Green)	Flashing	Recovery mode	Place the robot in charging station for up to 5 hours and wait for the green LED to stop flash. If LED doesn't stop flash then restart the robot outside the CS and try again.
	On	Mower in operation mode (charging, parked in Charging station, paused, mowing or searching)	
	Off	Mower stopped with Stop button on mower, safety key in Disabled position, mower in error state or mower waiting for PIN code.	
2. Connectivity (Blue)	Flashing	Trying to connect to internet server	
	On	Connected to internet server	
	Off	Mower not in "Power on mode"	
3. Security (Yellow)	Flashing	PIN code authorization required	... via Mobile App.
	Off	No pin required	No action required
4. Error (Red)	Flashing	Mower stopped with error	Check the reason for the error and then restart by pressing the Start button on the mower.

BREAKS IN BOUNDARY WIRE AND GUIDE WIRE

Breaks in the boundary wire and guide wire (if installed) are usually the result of unintentional physical damage.

Inspect the entire boundary wire from the charging station and back.

Inspect the guide wire (if installed) from the charging station to the splice into the boundary wire.

Inspect that all the couplings have been properly squeezed to make connections.

	Optimow 10	Optimow 15
Dimensions:		
Height	26 cm	26 cm
Length	62 cm	62 cm
Width	50 cm	50 cm
Weight	11 kg	11 kg
Electrical system:		
Battery, Special Lithium-Ion battery	24 V / 2.0 Ah, Part No. 211022355 / T0100607-00	24 V / 2.0 Ah, Part No. 211022355 / T0100607-00
Power supply	220-240 V/32 VDC	220-240 V/32 VDC
Low voltage cable length	10 m	10 m
Mean energy consumption at maximum use	8 kWh/month for a working area of 1,000 m ²	10 kWh/month for a working area of 1,500 m ²
Charge current	1.3 A DC	1.3 A DC
Average charging time	140 minutes	70 minutes
Average cutting time	70 minutes	70 minutes
Noise emissions: *)		
Measured sound power noise level **)	55 dB (A)	55 dB (A)
Guaranteed sound power noise level	57 dB (A)	57 dB (A)
Sound pressure noise level ***)	44 dB (A)	44 dB (A)
Mowing:		
Cutting system	Three pivoted cutting blades	Three pivoted cutting blades
Average power consumption during cutting	25 W ± 20%	25 W ± 20%
Cutting height	2-6 cm	2-6 cm
Cutting width	22 cm	22 cm
Narrowest possible passage	60 cm	60 cm
Maximum slope for cutting area	35%	35%
Maximum slope for boundary wire	15%	15%
Maximum length boundary wire	800 m	800 m
Working capacity****)	1,000 m ²	1,500 m ²
Recommended area capacity	0 - 700 m ²	500 - 1,200 m ²
IP classification:		
Mower	IPX5	IPX5
Charging station	IPX3	IPX3
Power supply	IP67	IP67

RADIO FREQUENCY DATA SHEET

	LTE & GSM	Short Range Devices (SRD) (Boundary Wire)
Frequency Bands	LTE-FDD: B1/B2/B3/B4/B5/B8/B12/B13/B18/B19/B20/ B25/B26/B27/B28/B66/B71/B85 GSM: 850/900/1800/1900 MHz	0~148.5KHz
Max Output Power (dBm)	LTE-FDD: 21 dBm +1.7/-3 dB GSM850/EGSM900: 33 dBm ±2 dB DCS1800/PCS1900: 30 dBm ±2 dB GSM850/EGSM900 (8-PSK): 27 dBm ±3 dB DCS1800/PCS1900 (8-PSK): 26 dBm ±3 dB	NA

*) The noise emission declarations conforms to EN 50636-2-107

**) uncertainties KWA, 2 dB (A)

***) uncertainties KPA, 2 dB (A)

****) Working capacity declaration conforms to EGMF RLM004-1.0/2016

Name and address of manufacturer:

Name : Globe Technologies Europe GmbH

Address: Brunnenweg 17, 64331 Weiterstadt, Germany

Name and address of the person authorised to compile the technical file:

Name: Ralf Pankalla

Address: Brunnenweg 17, 64331 Weiterstadt, Germany



Herewith we declare that the product:

Category:	Robotic Lawnmower
Model:	Greenworks Optimow 10/ Greenworks Optimow 15
Serial number:	See product rating label.
Year of Construction	See product rating label.

- Is in conformity with the relevant provisions of the Machinery Directive 2006/42/EC
- Is in conformity with the provisions of the following other directives:

Electromagnetic Compatibility - Directive 2014/30/EU
Radio equipment - Directive 2014/53/EU
Low Voltage Directive 2014/35/EU
Restriction of the Use of certain Hazardous Substances in Electrical and Electronic Equipment (RoHS) Directive 2011/65/EU & (EU) 2015/863

- Furthermore, we declare that the following standards have been used:

EN 60335-1, EN 50636-2-107, EN 60335-2-29,
EN 62233, EN 55014-1, EN 55014-2, EN 61000-3-2,
EN 61000-3-3, EN 61558-1, EN 61558-2-16, EN 62311,
EN 303 447, EN 303 413, EN 301 511,
EN 301 489-1, EN 301 489-19, Draft ESTI EN 301 489-52,
EN 62321-3-1, EN 62321-4, EN 62321-5, EN 62321-6,
EN 62321-7-1, EN 62321-7-2, EN 62321-8

Ted Qu Haichao
Quality Director
Weiterstadt, 26.06.2021

Ted Qu



Name and address of the manufacturer:

Name: Globe Technologies Europe GmbH

Address: Brunnenweg 17, 64331 Weiterstadt, Germany

Name and address of the Authorized representative:

Name: Garden Equipment Ltd

Address: First, Floor,3a Groveley Road, Christchurch, Dorset, BH23 3HB, UK

Name and address of the person authorised to compile the technical file:

Name: Simon Del-Nevo

Address: First, Floor,3a Groveley Road, Christchurch, Dorset, BH23 3HB, UK

Here with we declare that the product

Category:	Robotic Lawnmower
Model:	Greenworks Optimow 10/ Greenworks Optimow 15
Serial number:	See product rating label.
Year of construction:	See product rating label.

- is in conformity with the relevant provisions of the Supply of Machinery (Safety) Regulations 2008.
- is in conformity with the provisions of the following other UK legislation:

Electromagnetic Compatibility Regulations 2016
 Radio Equipment Regulations 2017
 Electrical Equipment (Safety) Regulations 2016
 The Restriction of the Use of Certain Hazardous Substances in Electrical and Electronic Equipment Regulations 2012

Furthermore, we declare that the following standard have been used:

BS EN 60335-1, BS EN 50636-2-107, BS EN 60335-2-29,
 BS EN 62233, BS EN 55014-1, BS EN 55014-2, BS EN 61000-3-2,
 BS EN 61000-3-3, BS EN 61558-1, BS EN 61558-2-16, BS EN 62311,
 EN 303 447, EN 303 413, EN 301 511,
 EN 301 489-1, EN 301 489-19, Draft ESTI EN 301 489-52,
 BS EN 62321-3-1, BS EN 62321-4, BS EN 62321-5, BS EN 62321-6,
 BS EN 62321-7-1, BS EN 62321-7-2, BS EN 62321-8

Place, date: Christchurch, Dorset, UK 26.06.2021

Signature: Ted Ou, Quality Director

Ted Ou

Die folgenden Seiten behandeln Sicherheitshinweise, die Wartung und die Instandhaltung. Die Bedienung entnehmen Sie bitte der mit dem Gerät gelieferten Kurzanleitung.

Lesen und überprüfen Sie sorgfältig alle Sicherheitshinweise, Warnungen und Vorsichtsmaßnahmen in diesem Handbuch und in der Kurzanleitung.

Das Nichtbeachten dieser Anweisungen, Sicherheits- und Warnhinweise kann zu schweren Verletzungen oder zum Tod von Personen und Haustieren oder zu Beschädigung von persönlichem Eigentum führen.

Die vollständige Bedienungsanleitung ist verfügbar unter Website: <https://url.globetools.systems/y66Cd>

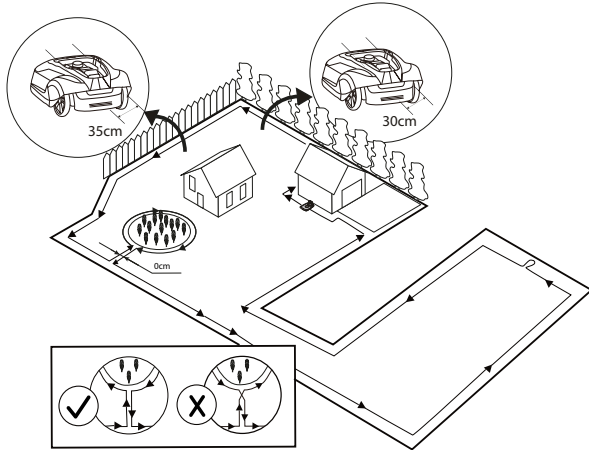
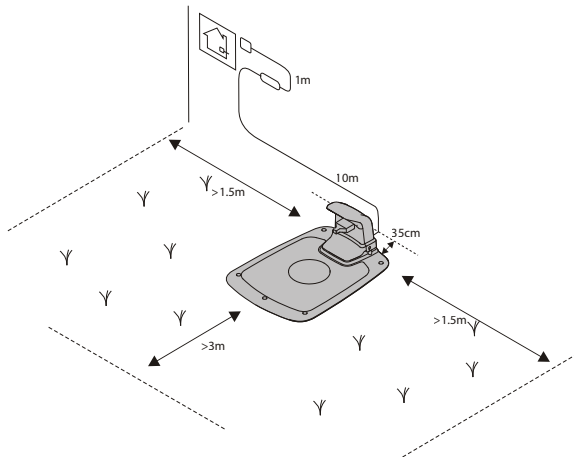
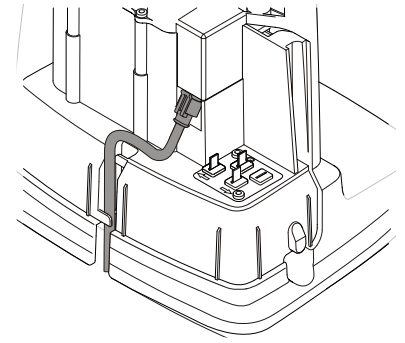
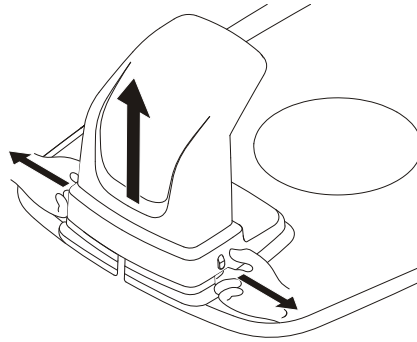
QR code:



Inhalt

Montage	12
Anschluss des Netzteils	12
Installation des Begrenzungsdrahts.....	12
Produktsicherheit	13
Erläuterung der Symbole am Mäher.....	13
Lesen des Bedienungshandbuchs	13
Betriebssicherheit	15
Schutz der Umwelt.....	16
Fehlerbehebung	17
Anzeige-LEDs am Mäher	17
Brüche im Begrenzungsdraht und Führungsdraht.....	17
Technische Daten.....	18
EG-Konformitätserklärung	19

Die Materialien, technischen Daten und Abbildungen in diesem Handbuch dienen nur der Orientierung und sind nicht verbindlich. Der Hersteller behält sich das Recht vor, ohne vorherige Ankündigung Änderungen an den technischen Eigenschaften und allen Merkmalen des Betriebs, der Materialien, der technischen Daten oder der Abbildungen vorzunehmen.



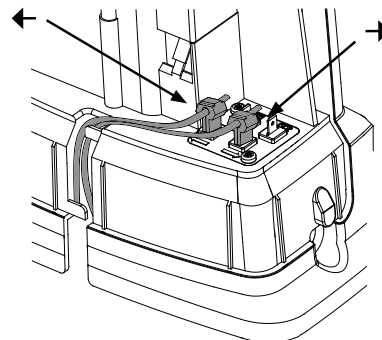
Anschluss des Netzteils

Schließen Sie das Netzteil in einer kühlen, trockenen Umgebung außerhalb direkter Sonneneinstrahlung an.

Wird das Netzteil an eine Steckdose im Freien angeschlossen, muss diese für den Außeneinsatz zugelassen sein.

Das Niederspannungskabel für die Stromversorgung kann den Mähbereich durchqueren. In diesem Fall muss es fest im Boden verankert werden bzw. eingegraben werden.

VORSICHT: Das Niederspannungskabel darf nicht geschnitten, gespleißt oder modifiziert werden. Veränderungen am Niederspannungskabel führen zum Erlöschen der Produktgarantie.



Installation des Begrenzungsdrachts

Nachdem Sie den Begrenzungsdraht ausgelegt haben, legen Sie die Schleifendrahrtrommel an der Ladestation ab.

Gehen Sie nun entlang der Begrenzung des Betriebsbereichs den Weg zurück und sichern Sie den Begrenzungsdraht entweder mit Haken oder graben den Draht im Boden ein. Es werden Haken empfohlen, da deren Position insbesondere in den ersten Wochen des Betriebs leicht angepasst werden kann.

Bei der Befestigung des Begrenzungsdrachts mit Haken:

- Schneiden Sie das Gras mit einem handelsüblichen Rasenmäher oder einem Trimmer dort, wo der Draht verlegt werden soll, sehr niedrig.
- Legen Sie den Begrenzungsdraht auf den Boden und befestigen Sie ihn mit in kurzen Abständen gesetzten Haken.
- Drücken oder hämmern Sie die Haken in den Boden.

Stecken Sie die Haken nicht so weit in den Boden, dass sie den Begrenzungsdraht strapazieren.

Beim Eingraben des Begrenzungsdrachts:

- Graben Sie den Begrenzungsdraht 1 bis -20 cm in den Boden ein.

Lesen Sie für die Installation des Führungsdrachts bitte das vollständige Handbuch online.

Ergänzend zu diesem Bedienungshandbuch finden Sie weitere Informationen auf der Website: www.greenworkstools.eu

Erläuterung der Symbole am Mäher



Dies ist ein gefährliches Elektrowerkzeug. Seien Sie bei der Bedienung vorsichtig und befolgen Sie alle Sicherheitshinweise und Warnungen.

Lesen Sie das Bedienungshandbuch sorgfältig durch, bevor Sie den Mäher in Betrieb nehmen.



Entfernen Sie den Sicherheitsschlüssel, bevor Sie am Mäher arbeiten oder ihn anheben.



Es besteht Gefahr durch herumfliegende während des Betriebs.

Halten Sie beim Bedienen einen sicheren Abstand zum Mäher und halten Sie Personen, insbesondere Kinder, Haustiere und umstehende Personen von dem Bereich fern, in dem der Mäher betrieben wird.



Steigen Sie nicht auf den Mäher.



Gerät der Klasse III

Lesen des Bedienungshandbuchs

Die folgenden Symbole sind wichtig zum Lesen und Verstehen der Betriebsanleitung.



Schutzhandschuhe tragen

Das folgende System wird im Bedienungshandbuch verwendet, um das Verständnis zu erleichtern:

- **WARNUNG!** Warnhinweise weisen Benutzer und Verbraucher auf Vorhandensein und Art von Gefahren hin, damit Benutzer und Verbraucher durch angemessenes Verhalten bei der Verwendung des Produkts Verletzungen vermeiden können.
- **VORSICHT:** Warnhinweise weisen Benutzer und Verbraucher auf Vorhandensein und Art der Produktrisiken hin, so damit Benutzer und Verbraucher durch angemessenes Verhalten während der Verwendung des Produkts eine Beschädigung des Produkts vermeiden können.
- **HINWEIS** Hinweise informieren Benutzer und Verbraucher über zusätzliche Informationen zur Produktnutzung.
- **Fett kursiv** gedruckter Text verweist auf einen weiteren Abschnitt im Bedienungshandbuch.
- **Fett** gedruckter Text bezieht sich auf die Einstellungen am Mäher.

Produktsicherheit

WICHTIG

VOR GEBRAUCH AUFMERKSAM LESEN! ZUR SPÄTEREN VERWENDUNG AUFBEWAHREN!

Einführung

WARNUNG! Kinder beaufsichtigen!

- Lesen Sie die Anleitung aufmerksam durch. Machen Sie sich mit den Bedienelementen und dem ordnungsgemäßen Gebrauch der Maschine vertraut.
- Lassen Sie niemals Personen, die mit diesen Anweisungen nicht vertraut sind, oder Kinder die Maschine benutzen. Lokale Vorschriften können das Alter für den Betrieb der Maschine einschränken.
- Der Betreiber oder Benutzer ist für Unfälle oder Gefahren für andere Personen oder deren Eigentum verantwortlich.

Vorbereitung

- Vergewissern Sie sich, dass die korrekte Installation des Begrenzungs- und Führungsdrahts gemäß den Anweisungen durchgeführt wurde.
- Überprüfen Sie regelmäßig den Einsatzbereich der Maschine und entfernen Sie alle Steine, Stöcke, Kabel, Hundespielzeug und andere Fremdkörper.
- Regelmäßig visuell überprüfen, um sicherzustellen, dass die Messer, Messerschrauben und die Schneidevorrichtung nicht abgenutzt oder beschädigt sind. Wenn Messer oder Schrauben verschlissen oder beschädigt sind, müssen alle Messer und Schrauben gleichzeitig ersetzt werden, damit das Gleichgewicht erhalten bleibt.

Allgemeines

- Betreiben Sie die Maschine niemals mit defekten Schutzabdeckungen oder ohne Sicherheitsvorrichtungen, wie z. B. dem Gehäuse.
- Hände oder Füße nicht in die Nähe von oder unter rotierende Teile bringen.
- Nehmen Sie niemals eine Maschine in die Hand, während der Motor läuft.
- Entfernen (oder Bedienen) Sie die Sperrvorrichtung von der Maschine
 - vor dem Beseitigen einer Verstopfung;
 - vor dem Prüfen, Reinigen oder Arbeiten an der Maschine.
- Lassen Sie die Maschine nicht unbeaufsichtigt arbeiten, wenn Sie wissen, dass sich Haustiere, Kinder oder Personen in der Nähe befinden.

Wartung und Lagerung

- Alle Muttern, Bolzen und Schrauben müssen stets fest angezogen sein, um sicherzustellen, dass sich die Maschine in einem sicheren Betriebszustand befindet.
- Ersetzen Sie verschlissene oder beschädigte Teile aus Sicherheitsgründen.
- Achten Sie darauf, dass nur Ersatzschneidmittel des richtigen Typs verwendet werden.
- Stellen Sie sicher, dass die Akkus mit dem vom Hersteller empfohlenen Ladegerät geladen werden. Unsachgemäße Verwendung kann zu Stromschlag, Überhitzung oder Austreten von korrosiver Flüssigkeit aus dem Akku führen.
- Bei Austreten von Elektrolyt, mit Wasser/Neutralisierungsmittel spülen. Suchen Sie einen Arzt auf, wenn die Augen etc. mit Elektrolyt in Berührung gekommen sind.
- Die Wartung der Maschine sollte gemäß den Anweisungen des Herstellers erfolgen.

WARNUNG! Verwenden Sie zum Aufladen des Akkus nur das mit diesem Gerät mitgelieferte abnehmbare Netzteil.

WARNUNG! Dieses Gerät enthält Batterien, die nur von einem Fachmann ausgetauscht werden dürfen.

Bedienung

Starten und Stoppen des Mähers

Zum Starten des Mähers:

- 1 Den Sicherheitsschlüssel einstecken und gegen den Uhrzeigersinn in Position "1" drehen.
- 2 Schieben Sie die Verriegelung der **START** Taste nach hinten.
- 3 Drücken Sie die **START** Taste.

Zum Stoppen des Mähers:

Drücken Sie die **STOP** Taste am Mäher.

Ausschalten des Mähers

Drücken Sie die **STOP** Taste am Mäher und ziehen Sie den Sicherheitsschlüssel ab.

WARNUNG! Ziehen Sie bei Wartungsarbeiten oder wenn der Mäher bewegt werden muss immer den Sicherheitsschlüssel ab.

Betriebssicherheit

Dieses Bedienungshandbuch enthält alle grundlegenden Informationen über den sicheren Betrieb und die Wartung des Mähers.



Lesen Sie vor der Inbetriebnahme des Mähers alle Sicherheitshinweise und Anweisungen in diesem Bedienungshandbuch sorgfältig durch. Bewahren Sie dieses Bedienungshandbuch zum späteren Nachschlagen auf. Befolgen Sie die Anweisungen des Herstellers bezüglich Installation, Betrieb, Wartung und Reparatur.

Dieser Mäher wurde entwickelt, um Gras in offenen und ebenen Bereichen zu mähen. Verwenden Sie nur die vom Hersteller empfohlenen Geräte. Alle anderen Nutzungsarten sind unsachgemäß.



Dieser Mäher entspricht den CE-Sicherheitsnormen und -richtlinien bezüglich elektromagnetischer Verträglichkeit, Maschinen und Niederspannung.



Der Mäher ist nicht zur Verwendung durch Personen (einschließlich Kinder) vorgesehen, deren physische, sensorische oder geistige Fähigkeiten eingeschränkt sind, denen die Erfahrung und das Wissen fehlt, sofern sie nicht bei der Verwendung der Maschine durch eine für ihre Sicherheit verantwortliche Person überwacht werden oder eingewiesen wurden.

Kinder sollten beaufsichtigt werden, um sicherzustellen, dass sie nicht mit der Vorrichtung spielen.

Der Mäher darf nur von Personen betrieben, gewartet und repariert werden, die seine Besonderheiten und Sicherheitsvorschriften kennen.

Starten Sie den Mäher gemäß den Anweisungen. Wenn sich der Sicherheitsschlüssel in der **aktivierten** Position befindet, halten Sie Ihre Hände und Füße von den rotierenden Messern fern.

Stecken Sie niemals Ihre Hände und Füße unter den Mäher.

Ändern Sie nicht die ursprüngliche Konstruktion des Mähers. Alle diesbezüglichen Veränderungen führen zum Erlöschen der Garantie.

Schalten Sie den Mäher mit der STOP Taste am Mäher aus, wenn sich Personen, insbesondere Kinder oder Haustiere im Schneidebereich befinden. Es wird empfohlen, den Mäher so zu programmieren, dass der Bereich während des Betriebs frei von Personen oder Haustieren ist.

Entfernen Sie Gegenstände aus dem Betriebsbereich wie Äste, Spielzeug, Steine, Werkzeuge, die die Messer beschädigen können. Der Mäher kann an Gegenständen im Betriebsbereich hängen bleiben und somit nicht weitermähen, bevor die Gegenstände entfernt werden.

Heben Sie den Mäher niemals an und tragen Sie ihn nicht während der Sicherheitsschlüssel noch eingesteckt ist.

Schalten Sie den Mäher immer mit der STOP Taste aus, wenn der Mäher nicht in Gebrauch ist. Der Mäher kann nur gestartet werden, wenn der Sicherheitsschlüssel eingesteckt und die START Taste gedrückt ist.

Der eingebaute Alarm ist sehr laut. Seien Sie vorsichtig, besonders wenn der Mäher in Innenräumen eingesetzt wird.

Verwenden Sie den Mäher nicht mit einer defekten Messerscheibe oder Karosserie.

Lassen Sie ihn nicht von Personen benutzen, die nicht wissen, wie der Mäher funktioniert und sich verhält.

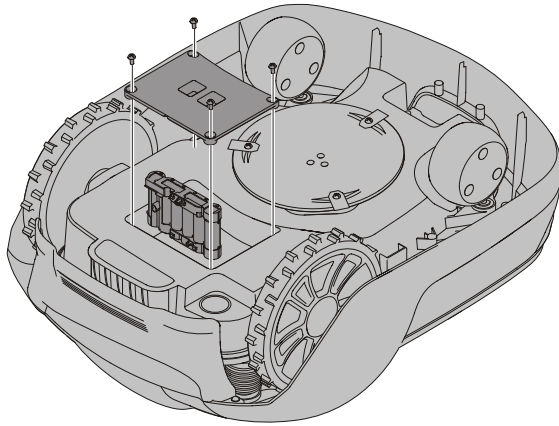
Stellen Sie nichts auf den Mäher oder seine Ladestation.



Tragen Sie bei Arbeiten mit den Messern des Mähers immer Schutzhandschuhe.

Auswechseln des akkus

DE



WARNUNG! Bei Austreten von Elektrolyt, mit Wasser/ Neutralisierungsmittel spülen. Suchen Sie einen Arzt auf, wenn die Augen mit Elektrolyt in Berührung gekommen sind.

Laden Sie den Akku nur in der Original-Ladestation. Unsachgemäße Verwendung kann zu Stromschlag, Überhitzung oder Austreten von korrosiver Flüssigkeit aus der Batterie führen.

Die Batterie ist wartungsfrei, hat aber eine begrenzte Lebensdauer von 2 bis 4 Jahren, abhängig von der Dauer der Mähesaison und der täglichen Nutzungsdauer des Mähers.

WARNUNG! Drücken Sie die STOP Taste und ziehen Sie den Sicherheitsschlüssel ab, bevor Sie Akkus austauschen. Tragen Sie dabei Schutzhandschuhe.

VORSICHT: Verwenden Sie nur Original-Ersatzteile.

Drehen Sie den Mäher auf den Kopf und entfernen Sie die vier Torx-Schrauben T20 und entfernen Sie die Batterieabdeckung.

Ziehen Sie den Batterieklemmenanschluss ab.

Heben Sie den Akku gerade heraus.

Setzen Sie den neuen Akku in Steckplatz 1 (den hinteren Steckplatz) ein.

Schließen Sie den Batterieklemmenanschluss an den neuen Akku an.

Setzen Sie die Batterieabdeckung wieder ein und setzen Sie die vier Torx-Schrauben T20 ein und ziehen Sie sie fest.

Stecken Sie den Sicherheitsschlüssel in die Unterseite des Mähers und drehen Sie ihn in die aktivierte Position. Platzieren Sie den Mäher in der Ladestation, um das Akku zu aktivieren und zu laden.

Schutz der Umwelt



Nach der EU-Gesetzgebung 2012/19/EU müssen nicht mehr verwendbare Elektro- und Elektronikgeräte und nach der EU-Gesetzgebung 2006/66/EC defekte oder gebrauchte Akkupacks/Batterien getrennt gesammelt und umweltgerecht entsorgt werden.

Das Symbol auf dem Mäher oder seiner Verpackung zeigt an, dass dieses Produkt nicht als Hausmüll behandelt werden kann. Stattdessen sollte es einem geeigneten Recyclingzentrum zugeführt werden, um seine elektronischen Komponenten und Batterien zu recyceln.

Die Batterien sind im Fahrgestell unter dem Mäher untergebracht.

Indem Sie sicherstellen, dass dieses Produkt richtig behandelt wird, können Sie dazu beitragen, den potenziellen negativen Auswirkungen auf Umwelt und Mensch entgegenzuwirken, die andernfalls durch eine falsche Entsorgung dieses Produkts entstehen könnten.

Weitere Informationen zum Recycling dieses Produkts erhalten Sie bei Ihrer Stadtverwaltung, Ihrem Hausmüllentsorger oder dem Geschäft, in dem Sie das Produkt gekauft haben.



Die gesonderte Entsorgung von Gebrauchsmaschinen und Verpackungen ermöglicht es, Materialien zu recyceln und wiederzuverwenden. Die Verwendung der recycelten Materialien trägt dazu bei, Umweltbelastungen zu vermeiden und den Bedarf an Rohstoffen zu senken.

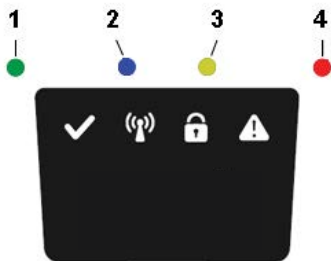
Batteries



Entsorgen Sie Batterien am Ende ihrer Lebensdauer mit Rücksicht auf unsere Umwelt. Die Batterie enthält Stoffe, die für Sie und die Umwelt gefährlich sind. Sie müssen diese Stoffe separat bei einer Einrichtung entsorgen, die Lithium-Ionen-Batterien annimmt.

In diesem Abschnitt werden auch einige Problemlösungen vorgestellt, die Ihnen weiterhelfen können, wenn der Mäher nicht wie erwartet funktioniert.

Anzeige-LEDs am Mäher



LED	Status	Bedeutung	Maßnahme
1. In Betrieb (Grün)	Blinken	Wiederherstellungsmodus	Setzen Sie den Roboter für bis zu 5 Stunden auf die Ladestation und warten Sie, bis die grüne LED aufhört zu blinken. Wenn die LED nicht aufhört zu blinken, starten Sie den Mähroboter außerhalb der Ladestation und versuchen Sie es erneut.
	Ein	Mäher im Betriebsmodus (Laden, Parken in der Ladestation, Pausieren, Mähen oder Suchen)	
	Aus	Mäher gestoppt mit Stop Taste am Mäher, Sicherheitsschlüssel in der Position Deaktiviert, Mäher im Fehlerzustand oder Mäher wartet auf den PIN-Code.	
2. Konnektivität (Blau)	Blinken	Versuch, eine Verbindung zum Internetserver herzustellen	
	Ein	Mit Internetserver verbunden	
	Aus	Mäher nicht im "Einschaltmodus"	
3. Sicherheit (Gelb)	Blinken	PIN-Code-Autorisierung erforderlich	... über Mobile App.
	Aus	Kein Pin Code erforderlich	Keine Maßnahmen erforderlich
4. Fehler (Rot)	Blinken	Mäher gestoppt mit Fehler	Überprüfen Sie die Ursache des Fehlers und starten Sie ihn dann erneut, indem Sie die Start Taste am Mäher drücken.

Brüche im Begrenzungsdraht und Führungsdraht

Brüche im Begrenzungsdraht und im Führungsdraht (falls installiert) sind in der Regel die Folge unbeabsichtigter Schäden durch Kontakt.

Überprüfen Sie den gesamten Begrenzungsdraht von der Ladestation und zurück.

Überprüfen Sie den Führungsdraht (falls vorhanden) von der Ladestation bis zum Begrenzungsdraht.

Überprüfen Sie, ob alle Kupplungen richtig gequetscht wurden, um die Verbindungen herzustellen.

Technische Daten

DE

	Optimow 10	Optimow 15
Abmessungen:		
Höhe	26 cm	26 cm
Länge	62 cm	62 cm
Breite	50 cm	50 cm
Gewicht	11 kg	11 kg
Elektrisches System:		
Batterie, spezieller Lithium-Ionen-Akku	24 V / 2,0 Ah, Teile-Nr. 211022355 / T0100607-00	24 V / 2,0 Ah, Teile-Nr. 211022355 / T0100607-00
Netzteil	220-240 V/32 V DC	220-240 V/32 V DC
Länge Niederspannungskabel	10 m	10 m
Mittlerer Energieverbrauch bei maximaler Nutzung	8 kWh/Monat bei einer Arbeitsfläche von 1.000 m ²	10 kWh/Monat bei einer Arbeitsfläche von 1.500 m ²
Ladestrom	1,3 A DC	1,3 A DC
Durchschnittliche Ladezeit	140 Minuten	70 Minuten
Durchschnittliche Schnittzeit	70 Minuten	70 Minuten
Lärmemissionen: *)		
Gemessener Schalleistungspegel **)	55 dB (A)	55 dB (A)
Gemessener Schalleistungspegel	57 dB (A)	57 dB (A)
Schalldruckpegel ***)	44 dB (A)	44 dB (A)
Mähen:		
Schneidesystem	Drei schwenkbare Schneidmesser	Drei schwenkbare Schneidmesser
Durchschnittlicher Stromverbrauch beim Schneiden	25 W ± 20%	25 W ± 20%
Schnitthöhe	2-6 cm	2-6 cm
Schnittbreite	22 cm	22 cm
Engstmöglicher Durchgang	60 cm	60 cm
Maximaler Hang für den Schneidebereich	35%	35%
Maximaler Hang für Begrenzungskabel	15%	15%
Maximale Länge Begrenzungsdraht	800 m	800 m
Schnittleistung****)	1.000 m ²	1.500 m ²
Empfohlene Flächenkapazität	0 - 700 m ²	500 - 1.200 m ²
IP-Klassifizierung:		
Mäher	IPX5	IPX5
Ladestation	IPX3	IPX3
Netzteil	IP67	IP67

Datenblatt zur Funkfrequenz

	LTE & GSM	Funkgerät mit geringer Reichweite (short range device – SRD) (Begrenzungskabel)
Frequenzband	LTE-FDD: B1/B2/B3/B4/B5/B8/B12/B13/B18/B19/B20/B25/B26/B27/B28/B66/B71/B85 GSM: 850/900/1800/1900 MHz	0-148.5KHz
Maximale Ausgangsleistung (dBm)	LTE-FDD: 21 dBm +1.7/-3 dB GSM850/EGSM900: 33 dBm ±2 dB DCS1800/PCS1900: 30 dBm ±2 dB GSM850/EGSM900 (8-PSK): 27 dBm ±3 dB DCS1800/PCS1900 (8-PSK): 26 dBm ±3 dB	NA

*)Die Schallemissionsdeklarationen entsprechen der EN 50636-2-107

**) Messunsicherheiten KWA, 2 dB (A)

***) Messunsicherheiten KPA, 2 dB (A)

****)Angabe der Schnittleistung gemäß EGMF RLM004-1.0/2016.

Name und Anschrift der Hersteller:

Hersteller: Globe Technologies Europe GmbH

Anschrift: Brunnenweg 17, 64331 Weiterstadt, Deutschland

Name und Anschrift der Person, die zur Erstellung der technischen Unterlagen berechtigt ist:

Name: Ralf Pankalla

Anschrift: Brunnenweg 17, 64331 Weiterstadt, Deutschland



Hiermit erklären wir, dass das Produkt:

Kategorie:	Rasenmäroboter
Modell:	Greenworks Optimow 10/ Greenworks Optimow 15
Seriennummer:	Siehe Produktetikett.
Seriennummer	Siehe Produktetikett.

- den einschlägigen Bestimmungen der Maschinenrichtlinie 2006/42/EG entspricht
- den Bestimmungen der folgenden anderen Richtlinien entspricht:

- EMV-Richtlinie 2014/30/EU
- Funkanlagenrichtlinie 2014/53/EU
- Niederspannungsrichtlinie 2014/35/EU
- Richtlinie zur Beschränkung der Verwendung bestimmter gefährlicher Stoffe in Elektro- und Elektronikgeräten 2011/65/EU & 2015/863/EU

- Darüber hinaus erklären wir, dass die folgenden harmonisierten Normen verwendet wurden:

- EN 60335-1, EN 50636-2-107, EN 60335-2-29,
- EN 62233, EN 55014-1, EN 55014-2, EN 61000-3-2,
- EN 61000-3-3, EN 61558-1, EN 61558-2-16, EN 62311,
- EN 303 447, EN 303 413, EN 301 511,
- EN 301 489-1, EN 301 489-19, Entwurf ESTI EN 301 489-52,
- EN 62321-3-1, EN 62321-4, EN 62321-5, EN 62321-6,
- EN 62321-7-1, EN 62321-7-2, EN 62321-8

Ted Qu Haichao
Qualitätsleiter
Weiterstadt, 26.06.2021

Ted Qu

Las siguientes páginas contienen instrucciones de seguridad, así como de servicio y mantenimiento. Para el funcionamiento, consulte la guía rápida que se suministra con la máquina.

Lea detenidamente y repase todas las instrucciones, advertencias y precauciones de seguridad que contiene este manual y la guía rápida.

En caso de no leer y seguir estas instrucciones, advertencias y avisos de precaución pueden producirse lesiones graves o incluso la muerte de personas y mascotas, así como daños materiales.

El manual completo de instrucciones se encuentra disponible en el sitio web: <https://url.globetools.systems/NI8LB>

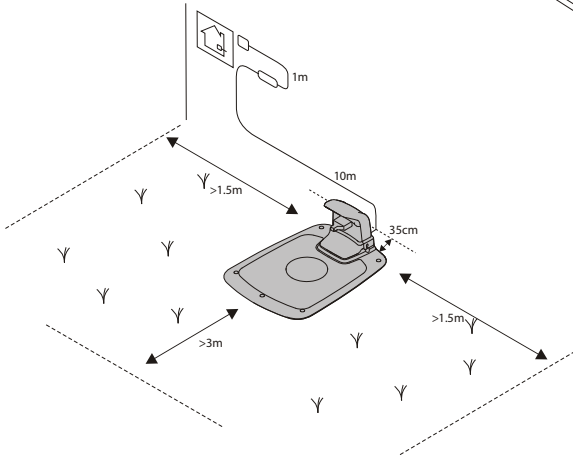
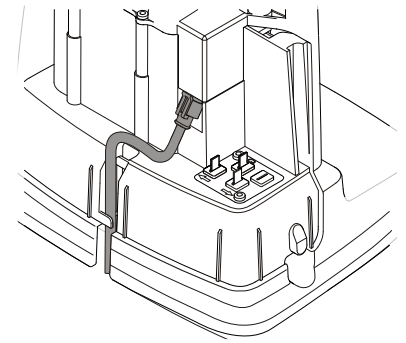
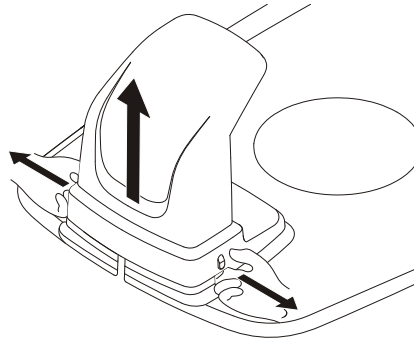
Código QR:



Contenido

- Instalación21
 - Conexión de la fuente de alimentación.....21
 - Instalación del cable delimitador.....21
- Seguridad del producto.....22
 - Explicación de los símbolos en el cortacésped.....22
 - Lectura del manual del operario.....22
 - Seguridad operativa24
- Protección medioambiental 25
- Solución de problemas.....26
 - LEDs indicadores en el cortacésped.....26
 - Roturas en el cable delimitador y el cable de guía.....26
- Datos técnicos27
- Declaración de conformidad CE28

Los materiales, los datos técnicos y las figuras de este manual se proporcionan exclusivamente a título orientativo y no son vinculantes. El fabricante se reserva el derecho de realizar cambios en las características técnicas y todas las características de funcionamiento, los materiales, los datos técnicos o las cifras sin previo aviso.



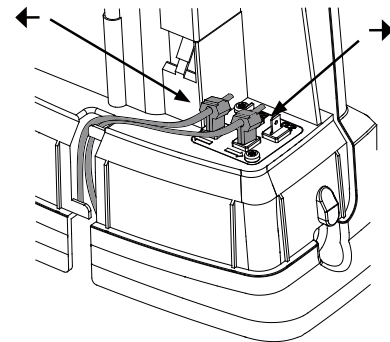
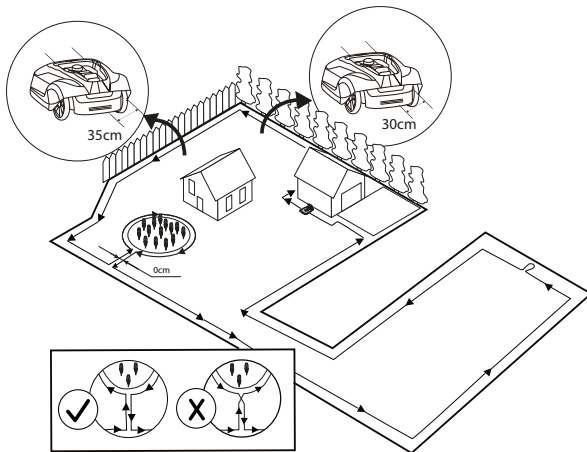
CONEXIÓN DE LA FUENTE DE ALIMENTACIÓN

Conecte la fuente de alimentación en un entorno fresco y seco; fuera de la luz solar directa.

Si la fuente de alimentación está conectada a una toma eléctrica en el exterior, debe estar aprobada para uso en exteriores.

El cable de baja tensión puede cruzar la superficie de trabajo si está grapado o enterrado.

PRECAUCIÓN: No corte, empalme ni modifique el cable de baja tensión. La modificación del cable de baja tensión anulará la garantía del producto.



INSTALACIÓN DEL CABLE DELIMITADOR

Coloque la bobina de cable en la estación de carga.

Vuelva alrededor del límite de la superficie de trabajo y fije el cable delimitador ya sea utilizando estaquillas o enterrándolo en el suelo. Se recomiendan las estaquillas ya que esto permite el ajuste durante las primeras semanas de funcionamiento.

Al fijar el cable delimitador con estaquillas:

- Corte el césped muy bajo con un cortacésped estándar o un cortasetos donde se vaya a colocar el cable.
- Coloque el cable delimitador en el suelo y fíjelo con las estaquillas muy juntas.
- Empuje o golpee las estaquillas para clavarlas en el suelo.

No introduzca las estaquillas demasiado en el suelo para que no tiren del cable delimitador.

Cuando entierre el cable delimitador:

- Entierre el cable delimitador a 1-20 cm en el suelo. Consulte el manual completo en línea para la instalación del cable de guía.



Seguridad del producto

ES

Como complemento de este manual del operario, dispone de información adicional en el sitio web: www.greenworkstools.eu

EXPLICACIÓN DE LOS SÍMBOLOS EN EL CORTACÉSPED



Esta es una herramienta eléctrica peligrosa. Tenga cuidado al utilizarla y siga todas las instrucciones y advertencias de seguridad.

Lea detenidamente el manual del operario antes de utilizar el cortacésped.



Retire la llave de seguridad antes de trabajar en el cortacésped o de levantarlo.



Riesgo de lanzamiento de objetos durante el funcionamiento.

Durante la utilización, mantenga una distancia segura con respecto al cortacésped y mantenga a las personas, especialmente los niños, las mascotas y los transeúntes alejados de la superficie donde se utiliza el cortacésped.



No se suba en el cortacésped.



Aparato de clase III

LECTURA DEL MANUAL DEL OPERARIO

Los siguientes símbolos son importantes para leer y entender las instrucciones de funcionamiento.



Lleve guantes de protección

En el manual del operario se utiliza el siguiente sistema para facilitar su comprensión:

- **¡ADVERTENCIA!** Los textos de advertencia alertan a los usuarios y a los consumidores sobre la existencia y la naturaleza de los riesgos para que puedan evitar lesiones mediante una conducta adecuada durante el uso del producto.
- **PRECAUCIÓN:** Los textos de precaución alertan a los usuarios y a los consumidores sobre la existencia y la naturaleza de los riesgos del producto para que puedan evitar daños en el mismo mediante una conducta adecuada durante el uso del producto.
- **NOTA:** Las notas informan a los usuarios y a los consumidores sobre información adicional acerca del uso del producto.
- El texto escrito en **cursiva y negrita** hace referencia a otra sección del manual del operario.
- El texto escrito en **negrita** hace referencia a ajustes en el cortacésped.

Seguridad del producto

IMPORTANTE

¡LEA DETENIDAMENTE ANTES DEL USO! ¡CONSERVE PARA SU CONSULTA POSTERIOR!

Formación

¡ADVERTENCIA! ¡Cortacésped automático! ¡Supervise a los niños!

- Lea detenidamente las instrucciones. Familiarícese con los controles y el uso correcto de la máquina.
- Nunca permita que utilicen la máquina personas que no estén familiarizadas con estas instrucciones ni tampoco niños. Es posible que la legislación local estipule una edad mínima para poder utilizar este tipo de máquinas.
- El operario o usuario de la máquina será responsable de cualquier accidente o peligro que su utilización pudiera suponer para otras personas o bienes de terceros.

Preparativos

- Debe garantizar la instalación correcta de los cables delimitador y de guía según las instrucciones.
- Inspeccione periódicamente la superficie donde va a utilizarse la máquina y elimine todas las piedras, ramas, cables, huesos y otros objetos extraños.
- Realice una inspección visual para comprobar que las cuchillas, los pernos de las cuchillas y el conjunto de corte no estén desgastados o dañados. Sustituya las cuchillas y los pernos desgastados o dañados de forma conjunta para mantener el equilibrio.

Generalidades

- Nunca utilice la máquina si las protecciones están defectuosas, o sin los dispositivos de seguridad, por ejemplo, el chasis, en su posición.
- No ponga las manos ni los pies cerca o debajo de las piezas giratorias.
- Nunca levante ni transporte una máquina mientras el motor esté en marcha.
- Retire (o utilice) el dispositivo de desactivación de la máquina
 - antes de eliminar una obstrucción;
 - antes de comprobar, limpiar o trabajar en la máquina.
- No deje la máquina funcionando sin supervisión si sabe que hay mascotas, niños o personas en los alrededores.

Mantenimiento y almacenamiento

- Mantenga todas las tuercas, los pernos y los tornillos apretados para garantizar que la máquina esté en condiciones seguras de funcionamiento.
- Por cuestiones de seguridad, sustituya cualquier pieza que esté desgastada o dañada.
- Asegúrese de que solo se utilicen medios de corte de repuesto del tipo correcto.
- Asegúrese de que las baterías estén cargadas utilizando el cargador correcto recomendado por el fabricante. El uso incorrecto puede provocar descargas eléctricas, sobrecalentamiento o fugas de líquido corrosivo de la batería.
- En caso de fugas de electrolito, lave con agua/agente neutralizante; acuda al médico inmediatamente si entra en contacto con los ojos, etc.
- Las tareas de servicio en la máquina deben realizarse de acuerdo con las instrucciones del fabricante.

¡ADVERTENCIA! Para recargar la batería, utilice únicamente la unidad de suministro desmontable que se suministra con este aparato.

¡ADVERTENCIA! Este aparato contiene baterías que únicamente pueden ser sustituidas por una persona con la debida cualificación.

Funcionamiento

PUESTA EN MARCHA Y PARADA DEL CORTACÉSPED

Para poner en marcha el cortacésped:

- 1 Inserte la llave de seguridad y gírela en sentido antihorario hasta la posición "1"
- 2 Deslice el cierre del botón de **START** hacia atrás.
- 3 Pulse el botón de **START**.

Para detener el cortacésped:

Pulse el botón de **STOP** en el cortacésped.

APAGADO DEL CORTACÉSPED

Pulse el botón de **STOP** en el cortacésped y retire la llave de seguridad.

¡ADVERTENCIA! Retire siempre la llave de seguridad cuando realice tareas de mantenimiento o si debe mover el cortacésped.

Seguridad del producto

ES

SEGURIDAD OPERATIVA

Este manual del operario contiene toda la información básica relativa al funcionamiento y mantenimiento seguro del cortacésped.



Lea detenidamente todas las precauciones e instrucciones de seguridad de este manual del operario antes de utilizar el cortacésped. Conserve este manual del operario para su consulta posterior. Siga las instrucciones del fabricante con respecto a la instalación, el funcionamiento, el mantenimiento y la reparación.

Este cortacésped se ha diseñado para cortar césped en superficies abiertas y niveladas. Utilice únicamente los equipos recomendados por el fabricante. Cualquier otro tipo de uso es incorrecto.



Este cortacésped cumple las normas de seguridad y las directivas CE relativas a la compatibilidad electromagnética, las máquinas y los límites de tensión.



Este cortacésped no debe ser utilizado por personas (niños incluidos) con una discapacidad física, sensorial o mental, o que no tengan experiencia ni conocimientos, a menos que hayan recibido supervisión o instrucción sobre el uso del aparato por una persona responsable de su seguridad.

Supervise siempre a los niños para asegurarse de que no jueguen con el aparato.

El cortacésped únicamente debe ser utilizado, mantenido y reparado por personas que entiendan totalmente sus características especiales y los reglamentos de seguridad.

Ponga en marcha el cortacésped según se indica en las instrucciones. Cuando la llave de seguridad esté en la posición **activada**, mantenga las manos y los pies alejados de las cuchillas giratorias.

Nunca meta las manos ni los pies debajo del cortacésped.

No modifique el diseño original del cortacésped. Las modificaciones invalidan la garantía.

Apague el cortacésped con el botón de STOP del cortacésped cuando haya personas, especialmente niños, o mascotas en la superficie de corte. Se recomienda programar el uso del cortacésped durante las horas en que la superficie esté libre de personas o mascotas.

Retire los objetos de la superficie de trabajo, como ramas, juguetes, piedras, herramientas que puedan dañar las cuchillas. El cortacésped puede fijarse a objetos en la superficie de trabajo y es posible que se necesite ayuda para retirar el objeto antes de que el cortacésped pueda seguir cortando.

Nunca levante el cortacésped ni lo transporte con la llave de seguridad insertada.

Apague siempre el cortacésped con el botón de STOP cuando no esté en uso. El cortacésped únicamente puede ponerse en marcha cuando se inserta la llave de seguridad y se pulsa el botón de START.

La alarma integrada es muy ruidosa. Tenga cuidado, especialmente si el cortacésped se maneja en interiores.

No utilice el cortacésped con un disco de corte o un cuerpo defectuoso.

No permita el uso a personas que no saben cómo funciona y se comporta el cortacésped.

No coloque nada encima del cortacésped o su estación de carga.



Lleve siempre guantes de protección cuando trabaje con las cuchillas del cortacésped.

Sustitución de la batería

¡ADVERTENCIA! En caso de fugas de electrolito, lave con agua/agente neutralizante y acuda al médico inmediatamente si el electrolito entra en contacto con los ojos.

Cargue la batería únicamente en la estación de carga original. El uso incorrecto puede provocar descargas eléctricas, sobrecalentamiento o fugas de líquido corrosivo de la batería.

La batería no necesita mantenimiento, pero tiene una vida útil limitada de 2 a 4 años, en función de la duración de la temporada y del número de horas al día que se utiliza el cortacésped.

¡ADVERTENCIA! Pulse el botón de STOP y retire la llave de seguridad antes de sustituir las baterías y lleve guantes de protección.

PRECAUCIÓN: Utilice únicamente piezas de repuesto originales.

Dé la vuelta el cortacésped y retire los cuatro tornillos Torx T20, posteriormente retire la cubierta de la batería.

Desconecte el conector del terminal de la batería.

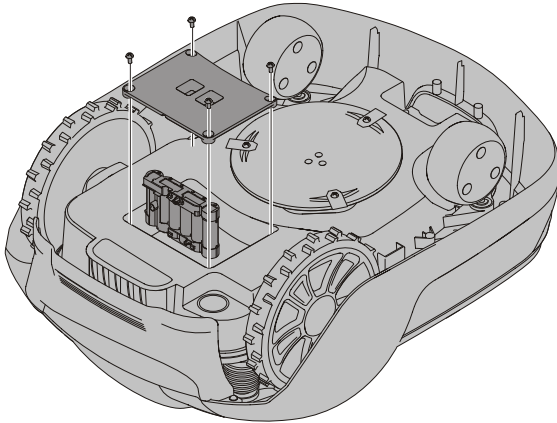
Levante la batería para sacarla.

Inserte la batería nueva en la ranura 1 (la ranura posterior).

Conecte el conector del terminal de la batería a la batería nueva.

Vuelva a colocar la cubierta de la batería en su posición e inserte y apriete los cuatro tornillos Torx T20.

Inserte la llave de seguridad en la parte inferior del cortacésped y gírela a la posición activada. Coloque el cortacésped en la estación de carga para activar y cargar la batería.



ES

Protección medioambiental



De acuerdo con la ley europea 2012/19/EU, los equipos eléctricos y electrónicos que dejen de utilizarse, y de acuerdo con la ley europea 2006/66/EC, las baterías defectuosas o usadas, deben recogerse por separado y desecharse de forma respetuosa con el medio ambiente.

El símbolo en el cortacésped o en su embalaje indica que este producto no puede tratarse como un desecho doméstico. En su lugar, debe llevarse a un centro de reciclaje adecuado para reciclar los componentes electrónicos y las baterías.

Las baterías están en el interior del chasis debajo del cortacésped.

Al garantizar el cuidado correcto de este producto, puede ayudar a contrarrestar el posible impacto negativo en el medio ambiente y las personas que, de lo contrario, puede producirse por un tratamiento incorrecto de los residuos de este producto.

Para obtener información más detallada sobre el reciclaje de este producto, póngase en contacto con las autoridades municipales, el servicio de recogida de desechos domésticos o la tienda donde compró el producto.



La recogida selectiva de máquinas y embalajes utilizados permite reciclarlos y volver a utilizarlos. El uso de materiales reciclados ayuda a evitar la contaminación medioambiental y disminuye la necesidad de usar materias primas.

Batteries



Li-ion

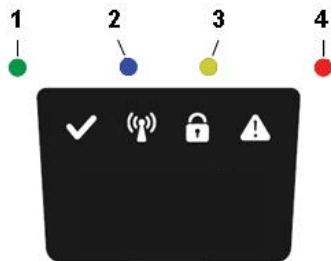
Al final de su vida útil, deseche las baterías de forma respetuosa con el medio ambiente. La batería contiene materiales peligrosos para usted y para el medio ambiente. Deberá retirar y desechar estos materiales de forma selectiva en unas instalaciones que acepten baterías de ion de litio.

Solución de problemas

ES

Esta sección también presenta algunos síntomas que pueden guiarle si el cortacésped no funciona según lo esperado.

LEDS INDICADORES EN EL CORTACÉSPED



LED	ESTADO	SIGNIFICADO	ACCIÓN
1. En funcionamiento (Verde)	Intermitente	Modo de recuperación	Coloque el robot en la estación de carga hasta 5 horas y espere a que el LED verde deje de parpadear. Si el LED no deja de parpadear, reinicie el robot fuera de la estación de carga y pruebe de nuevo.
	Encendido	Cortacésped en modo de funcionamiento (cargando, estacionado en la estación de carga, en pausa, segando o buscando)	
	Apagado	Cortacésped Stop con el botón de parada del cortacésped, llave de seguridad en la posición desactivada, cortacésped en estado de error o cortacésped esperando el código PIN.	
2. Conectividad (Azul)	Intermitente	Intentando conectar al servidor de Internet	
	Encendido	Conectado al servidor de Internet	
	Apagado	Cortacésped no en "modo de encendido"	
3. Seguridad (Amarillo)	Intermitente	Es necesaria autorización mediante código PIN	... a través de la aplicación móvil.
	Apagado	No es necesario código PIN	No es necesaria ninguna acción
4. Error (Rojo)	Intermitente	Cortacésped parado con error	Compruebe el motivo del error y posteriormente reinicie pulsando el botón de Start en el cortacésped.

ROTURAS EN EL CABLE DELIMITADOR Y EL CABLE DE GUÍA

Las roturas en el cable delimitador y el cable de guía (si están instalados) suelen ser el resultado de daños físicos involuntarios.

Inspeccione todo el cable delimitador desde la estación de carga y de vuelta.

Inspeccione el cable de guía (si está instalado) desde la estación de carga hasta el empalme en el cable delimitador.

Inspeccione que todos los acoplamientos se hayan acoplado correctamente para hacer las conexiones.

Datos técnicos

	OPTIMOW 10	OPTIMOW 15
Dimensiones:		
Altura	26 cm	26 cm
Longitud	62 cm	62 cm
Anchura	50 cm	50 cm
Peso	11 kg	11 kg
Sistema eléctrico:		
Batería, batería especial de iones de litio	24 V / 2,0 Ah, Nº de pieza 211022355 / T0100607-00	24 V / 2,0 Ah, Nº de pieza 211022355 / T0100607-00
Fuente de alimentación	220-240 V/32 V DC	220-240 V/32 V DC
Longitud del cable de baja tensión	10 m	10 m
Consumo energético medio a uso máximo	8 kWh/mes para una superficie de trabajo de 1.000 m ²	10 kWh/mes para una superficie de trabajo de 1.500 m ²
Corriente de carga	1,3 A DC	1,3 A DC
Tiempo de carga medio	140 minutos	70 minutos
Tiempo de corte medio	70 minutos	70 minutos
Emisiones acústicas: *)		
Nivel de ruido de potencia acústica medida **)	55 dB (A)	55 dB (A)
Nivel de ruido de potencia acústica garantizada	57 dB (A)	57 dB (A)
Nivel de ruido de presión acústica ***)	44 dB (A)	44 dB (A)
Corte de hierba:		
Sistema de corte	Tres cuchillas de corte articuladas	Tres cuchillas de corte articuladas
Consumo medio de energía durante el corte	25 W ± 20%	25 W ± 20%
Altura de corte	2-6 cm	2-6 cm
Anchura de corte	22 cm	22 cm
Paso más estrecho posible	60 cm	60 cm
Pendiente máxima para zona de corte	35%	35%
Pendiente máxima para cable delimitador	15%	15%
Longitud máxima para cable delimitador	800 m	800 m
Capacidad de trabajo****)	1.000 m ²	1.500 m ²
Capacidad de superficie recomendada	0 - 700 m ²	500 - 1.200 m ²
Clasificación IP:		
Cortacésped	IPX5	IPX5
Estación de carga	IPX3	IPX3
Fuente de alimentación	IP67	IP67

FICHA DE DATOS DE RADIOFRECUENCIA

	LTE & GSM	Dispositivos de corto alcance (SRD) (cable delimitador)
Banda de frecuencia	LTE-FDD: B1/B2/B3/B4/B5/B8/B12/B13/B18/ B19/B20/B25/B26/B27/B28/B66/B71/B85 GSM: 850/900/1800/1900 MHz	0~148.5KHz
Potencia máx. de salida (dBm)	LTE-FDD: 21 dBm +1.7/-3 dB GSM850/EGSM900: 33 dBm ±2 dB DCS1800/PCS1900: 30 dBm ±2 dB GSM850/EGSM900 (8-PSK): 27 dBm ±3 dB DCS1800/PCS1900 (8-PSK): 26 dBm ±3 dB	NA

*) Las declaraciones de emisiones acústicas son conformes con la EN 50636-2-107

**) incertidumbres KWA, 2 dB (A)

***) incertidumbres KPA, 2 dB (A)

****) La declaración de la capacidad de trabajo cumple con la norma EGMF RLM004-1.0/2016.

Declaración de conformidad CE



ES

Nombre y dirección de la Fabricante:

Fabricante: Globe Technologies Europe GmbH

Dirección: Brunnenweg 17, 64331 Weiterstadt, Alemania

Nombre y dirección de la persona autorizada para compilar el archivo técnico:

Nombre: Ralf Pankalla

Dirección: Brunnenweg 17, 64331 Weiterstadt, Alemania

Por la presente declaramos que el producto:

Categoría:	Cortacésped robótico
Modelo:	Greenworks Optimow 10/ Greenworks Optimow 15
Número de serie:	Véase la etiqueta de clasificación del producto.
Nº de serie	Véase la etiqueta de clasificación del producto.

- Es conforme con las disposiciones pertinentes de la Directiva relativa a las máquinas (2006/42/CE)
- Es conforme con las disposiciones de las siguientes Directivas:

- Directiva sobre compatibilidad electromagnética (2014/30/UE)
- Directiva sobre equipos radioeléctricos (2014/53/UE)
- Directiva sobre material eléctrico destinado a utilizarse con determinados límites de tensión (2014/35/UE)
- Directiva 2011/65/UE y Directiva delegada 2015/863/UE sobre restricciones a la utilización de determinadas sustancias peligrosas en aparatos eléctricos y electrónicos

- Adicionalmente, declaramos que se han utilizado las siguientes normas:

- EN 60335-1, EN 50636-2-107, EN 60335-2-29,
- EN 62233, EN 55014-1, EN 55014-2, EN 61000-3-2,
- EN 61000-3-3, EN 61558-1, EN 61558-2-16, EN 62311,
- EN 303 447, EN 303 413, EN 301 511,
- EN 301 489-1, EN 301 489-19, Borrador ESTI EN 301 489-52,
- EN 62321-3-1, EN 62321-4, EN 62321-5, EN 62321-6,
- EN 62321-7-1, EN 62321-7-2, EN 62321-8

Ted Qu Haichao
Director de calidad
Weiterstadt, 26.06.2021

Ted Qu

Le seguenti pagine contengono istruzioni per la sicurezza, la manutenzione e la riparazione dell'apparecchio. Le istruzioni per l'uso sono contenute nella guida rapida fornita insieme all'apparecchio.

Leggere attentamente e studiare tutte le avvertenze di sicurezza contenute in questo manuale e nella guida rapida.

Il mancato rispetto delle istruzioni e delle avvertenze di sicurezza comporta il rischio di lesioni gravi o mortali per persone e animali e danni a proprietà.

Il manuale di istruzioni completo è disponibile Sul

sito web: <https://url.globetools.systems/avLDb>

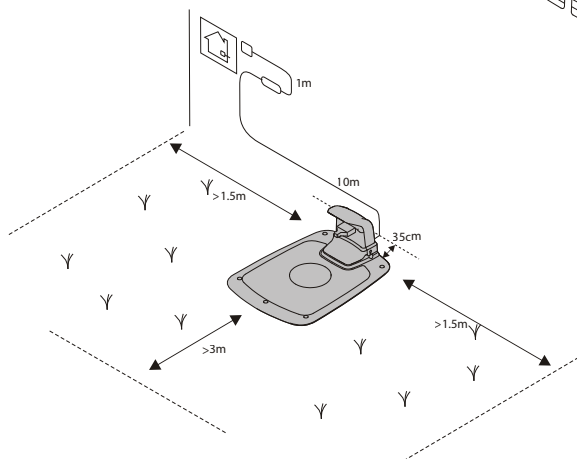
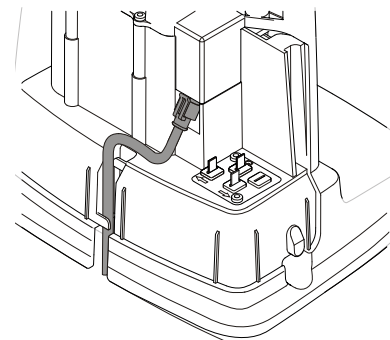
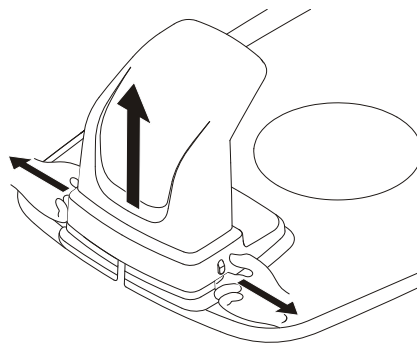
Tramite codice QR:



Indice

Installazione.....	30
Collegamento dell'alimentatore.....	30
Installazione del cavo perimetrale	30
Sicurezza del prodotto	31
Spiegazione dei simboli presenti sul tosaerba.....	31
Leggere il manuale di istruzioni	31
Funzionamento sicuro.....	33
Protezione ambientale	34
Risoluzione dei problemi.....	35
Spie LED sul tosaerba	35
Rottura del cavo perimetrale e del cavo guida.....	35
Specifiche tecniche	36
Dichiarazione di conformità CE	37

Le specifiche tecniche, le immagini e i materiali in questo manuale sono forniti a solo scopo di riferimento e sono privi di valore contrattuale. Il costruttore si riserva il diritto di apportare qualunque tipo di modifica a tutte le caratteristiche di funzionamento, materiali, specifiche tecniche o immagini del prodotto senza preavviso

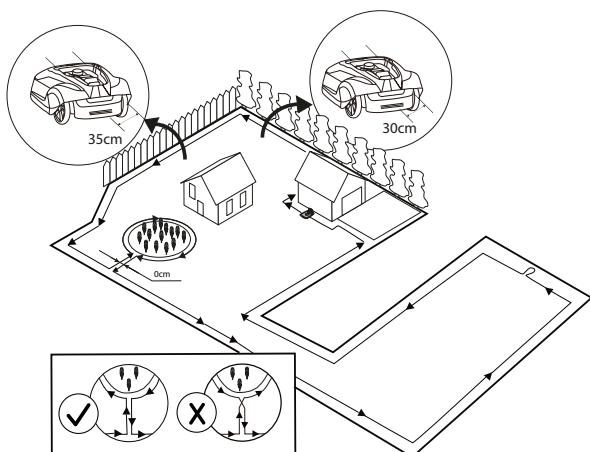
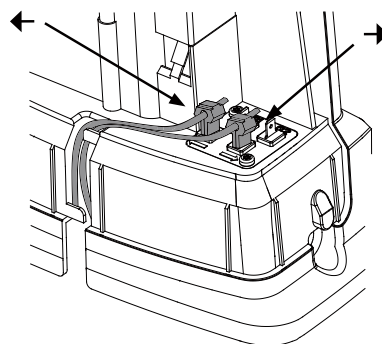


COLLEGAMENTO DELL'ALIMENTATORE

Collegare l'alimentatore in un ambiente fresco e asciutto, evitando l'esposizione diretta al sole.

Si la presa elettrica a cui è collegato l'alimentatore è all'aperto, deve essere idonea per ambienti esterni. Il cavo a bassa tensione può attraversare l'area di lavoro solo se fissato al terreno o interrato.

ATTENZIONE: non tagliare, giuntare o modificare il cavo a bassa tensione. La modifica del cavo a bassa tensione renderà nulla la garanzia del prodotto.



INSTALLAZIONE DEL CAVO PERIMETRALE

Dopo avere posato il cavo, mettere la bobina di cavo vicino alla stazione di ricarica.

Ritornare lungo il perimetro dell'area di lavoro e fissare il cavo perimetrale tramite i pioli oppure interrarlo. Si raccomanda l'utilizzo dei pioli, perché permettono di regolare il perimetro dell'area di lavoro durante le prime settimane di utilizzo.

Quando il cavo perimetrale viene fissato con i pioli:

- Tagliare l'erba molto basso con un rasaerba standard o un decespugliatore dove sarà installato il cavo.
- Stendere il cavo perimetrale sul terreno e fissarlo con i pioli, l'uno vicino all'altro.
- Spingere o martellare i pioli nel terreno.

Non spingere i pioli in profondità nel terreno per evitare che tendano eccessivamente il cavo perimetrale.

Quando il cavo perimetrale viene interrato:

- Collocare il cavo perimetrale a una profondità di 1-20 cm nel terreno.

Consultare il manuale completo online per l'installazione del cavo guida.



Sicurezza del prodotto

In aggiunta a questo manuale di istruzioni, sono disponibili ulteriori informazioni sul sito Web: www.greenworkstools.eu

IT

SPIEGAZIONE DEI SIMBOLI PRESENTI SUL TOSAERBA



Apparecchio elettrico pericoloso. Prestare attenzione durante il funzionamento e seguire tutte le avvertenze e le istruzioni di sicurezza.

Leggere attentamente il manuale di istruzioni prima di utilizzare il tosaerba.



Rimuovere la chiave di sicurezza prima di eseguire lavori sul tosaerba o sollevarlo.



Rischio di lancio di oggetti durante l'uso.

Tenersi a distanza dal tosaerba quando è in uso e tenere persone, soprattutto bambini, animali ed eventuali altri presenti lontano dall'area in cui l'apparecchio è in funzione.



Non salire sul tosaerba.



Apparecchio di classe III

LEGGERE IL MANUALE DI ISTRUZIONI

I seguenti simboli sono importanti per la lettura e la comprensione delle istruzioni.



Indossare guanti protettivi.

In questo manuale, viene utilizzato il seguente sistema per facilitare la comprensione delle istruzioni:

- **AVVERTENZA!** avvisa gli utenti e i consumatori dell'esistenza di pericoli e della loro natura, in modo da evitare infortuni durante l'uso del prodotto grazie a una condotta appropriata.
- **ATTENZIONE:** avvisa gli utenti e i consumatori dell'esistenza di rischi e della loro natura, in modo da non danneggiare il prodotto durante l'uso grazie a una condotta appropriata.
- **NOTA:** le note forniscono agli utenti e ai consumatori ulteriori informazioni sull'uso del prodotto.
- Il testo in **grassetto corsivo** si riferisce a un'altra sezione del manuale di istruzioni.
- Il testo in **grassetto** indica le impostazioni del tosaerba.

Sicurezza del prodotto

IMPORTANTE

LEGGERE ATTENTAMENTE PRIMA DELL'USO! CONSERVARE PER CONSULTAZIONI FUTURE!

Addestramento all'uso

AVVERTENZA! Tosaerba automatico! Sorvegliare i bambini!

- Leggere attentamente le istruzioni. Prendere dimestichezza con i comandi e l'uso corretto dell'apparecchio.
- Non permettere mai a persone che non hanno dimestichezza con queste istruzioni o ai bambini di utilizzare l'apparecchio. Le leggi vigenti potrebbero prevedere limitazioni riguardo l'età per l'uso dell'apparecchio.
- L'operatore o l'utente è responsabile di eventuali rischi o danni causati ad altre persone o proprietà personali.

Preparazione

- Garantire la corretta installazione del sistema automatico perimetro delineation conformemente alle istruzioni.
- Ispezionare periodicamente l'area di utilizzo dell'apparecchio e rimuovere pietre, legnetti, cavi, ossi e altri oggetti estranei.
- Eseguire ispezioni visive periodiche per verificare che le lame, i bulloni e il gruppo di taglio non siano usurati o danneggiati. Sostituire le lame o i bulloni usurati o danneggiati per mantenere il bilanciamento dell'apparecchio.

Informazioni generali

- Non usare l'apparecchio se i dispositivi di protezione sono danneggiati o senza i dispositivi di sicurezza, ad esempio se il corpo non montato.
- Non mettere le mani o i piedi vicino o sotto le parti rotanti.
- Non sollevare o trasportare l'apparecchio quando il motore è in funzione.
- Rimuovere (o azionare) il dispositivo di disattivazione dall'apparecchio
 - prima di eliminare un'ostruzione;
 - prima di controllare, pulire o eseguire lavori sull'apparecchio;
- Non lasciare l'apparecchio in funzione senza sorveglianza se sono presenti animali, bambini o persone nelle vicinanze.

Manutenzione e stoccaggio

- Verificare che tutti i dadi, le viti e i bulloni siano serrati e che l'apparecchio funzioni in modo sicuro.
- Sostituire le parti usurate o danneggiate per motivi di sicurezza.
- Assicurarsi di utilizzare solo utensili da taglio del tipo corretto.
- Assicurarsi di ricaricare le batterie con il caricabatteria corretto raccomandato dal costruttore. L'uso scorretto può provocare scosse elettriche, surriscaldamento o perdita di liquido corrosivo dalla batteria.
- In caso di perdite di elettrolita, lavare con abbondante acqua/agente neutralizzante. Se entra in contatto con gli occhi, rivolgersi a un medico.
- Le riparazioni dell'apparecchio devono essere eseguite conformemente alle istruzioni del costruttore.

AVVERTENZA! Per ricaricare la batteria, utilizzare esclusivamente l'unità di alimentazione separata fornita insieme all'apparecchio.

AVVERTENZA! Questo apparecchio contiene batterie che possono essere sostituite esclusivamente da una persona qualificata.

Funzionamento

AVVIO E ARRESTO DEL TOSAERBA

Per avviare il tosaerba:

- 1 Inserire la chiave di sicurezza e ruotare in senso antiorario fino a raggiungere la posizione "1".
- 2 Fare scorrere indietro il pulsante di **START**.
- 3 Premere il pulsante di **START**.

Per spegnere il tosaerba:

Premere il pulsante di **STOP** sul tosaerba.

SPEGNIMENTO DEL TOSAERBA.

Premere il pulsante di **STOP** sul tosaerba e rimuovere la chiave di sicurezza.

AVVERTENZA! Rimuovere sempre la chiave di sicurezza durante le operazioni di manutenzione o se il tosaerba deve essere spostato, rimossa.

Sicurezza del prodotto

SICUREZZA DI FUNZIONAMENTO

Questo manuale contiene tutte le istruzioni di base sull'uso sicuro e la manutenzione del tosaerba.

IT



Leggere attentamente tutte le precauzioni di sicurezza e le istruzioni in questo manuale prima di utilizzare l'apparecchio. Conservare questo manuale di istruzioni per consultazioni future. Seguire le istruzioni del costruttore relative all'installazione, il funzionamento, la manutenzione e la riparazione.

Questo tosaerba è progettato per tagliare l'erba in aree aperte e piane. Utilizzare solo secondo le raccomandazioni del costruttore. Ogni altro utilizzo è da considerarsi improprio.



Questo tosaerba è conforme agli standard di sicurezza CE e alle direttive relative a compatibilità elettromagnetica, macchine e bassa tensione.



Il tosaerba non deve essere utilizzato da persone (compresi i bambini) con ridotte capacità fisiche, sensoriali o mentali oppure senza alcuna esperienza o conoscenza del prodotto, a meno che non siano sorvegliate o siano state istruite sull'uso dell'apparecchio da una persona responsabile della loro sicurezza.

Sorvegliare i bambini per assicurarsi che non giochino con l'apparecchio.

Il tosaerba deve essere utilizzato, sottoposto a manutenzione o riparato solo da persone che conoscono a fondo le sue particolari caratteristiche e le norme di sicurezza.

Avviare il tosaerba conformemente alle istruzioni. Quando la chiave di sicurezza è in posizione di attivazione, tenere le mani e i piedi lontani dalle lame rotanti.

Non mettere mai le mani e i piedi sotto il tosaerba.

Non modificare la struttura originale del tosaerba. Qualsiasi modifica renderà nulla la garanzia.

Spegnere il tosaerba con il tasto di STOP sull'apparecchio se nell'area di taglio sono presenti persone, soprattutto bambini, o animali. Si raccomanda di programmare l'uso del tosaerba in orari in cui nell'area di lavoro non siano presenti persone o animali.

Rimuovere eventuali oggetti dall'area di lavoro, ad esempio, rami, giocattoli, pietre o utensili che possono danneggiare le lame. Durante l'uso, il tosaerba potrebbe rimanere impigliato a un oggetto nell'area di lavoro. In questo caso, è necessario l'intervento dell'utente per rimuovere l'oggetto e ripristinare il funzionamento del tosaerba.

Non sollevare o trasportare il tosaerba con la chiave di sicurezza inserita.

Spegnere sempre il tosaerba utilizzando il pulsante di STOP quando non è in uso. Il tosaerba può essere avviato solo quando la chiave di sicurezza è inserita e il pulsante di START è premuto.

L'allarme integrato è molto rumoroso. Prestare attenzione, soprattutto quando si maneggia il tosaerba in ambienti interni.

Non usare il tosaerba se un disco delle lame o il corpo è difettoso.

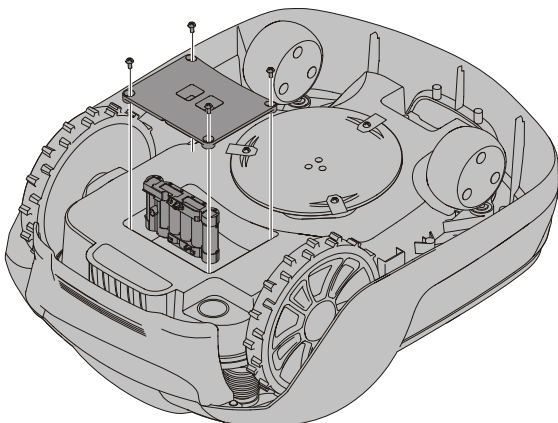
Non fare usare l'apparecchio a persone inesperte.

Non collocare nessun oggetto sopra il tosaerba o la stazione di ricarica.



Indossare sempre guanti protettivi quando si maneggiano le lame del tosaerba.

Sostituzione della batteria



AVVERTENZA! In caso di perdite di elettrolita, lavare con abbondante acqua/agente neutralizzante. Consultare un medico se il liquido entra in contatto con gli occhi.

Caricare la batteria soltanto nella stazione di ricarica originale. L'uso scorretto può provocare scosse elettriche, surriscaldamento o perdita di liquido corrosivo dalla batteria.

La batteria non richiede manutenzione, ma ha una vita utile di 2-4 anni a seconda della durata della stagione e delle ore di utilizzo giornaliere del tosaerba.

AVVERTENZA! Premere il tasto di STOP e rimuovere la chiave di sicurezza prima di sostituire la batteria; indossare guanti protettivi.

PRECAUZIONE: utilizzare solo parti di ricambio originali.

Capovolgere il tosaerba, rimuovere le quattro viti Torx T20 e rimuovere il coperchio del vano batteria.

Scollegare il connettore del morsetto della batteria.

Sollevare la batteria in linea retta.

Inserire la nuova batteria nella fessura 1 (posteriore).

Collegare il connettore del morsetto della batteria alla nuova batteria.

Rimontare il coperchio del vano batteria e serrare le quattro viti Torx T20.

Inserire la chiave di sicurezza nella parte inferiore del tagliaerba e ruotarla fino alla posizione di abilitazione. Posizionare il tagliaerba nella stazione di ricarica per avviare la ricarica della batteria.

Tutela dell'ambientale

Gli apparecchi elettrici ed elettronici non più utilizzabili (direttiva europea 2012/19/EU) e le batterie o i gruppi batteria difettosi o usati (direttiva europea 2006/66/EC) devono essere raccolti separatamente e smaltiti nel rispetto dell'ambiente.



Il simbolo sul tosaerba o sulla confezione indica che il prodotto non deve essere smaltito come un normale rifiuto domestico. Occorre invece portarlo in un apposito centro di raccolta per riciclare i suoi componenti elettronici e le batterie.

La batteria è fissata al telaio sotto il tosaerba.

Il corretto trattamento di questo prodotto aiuta a contrastare il potenziale impatto negativo sull'ambiente e sulle persone che potrebbe derivare da un errato smaltimento dello stesso.

Per informazioni dettagliate sul riciclaggio del prodotto, contattare gli uffici comunali preposti, il servizio di nettezza urbana o il negozio presso cui si è acquistato il prodotto.



Portarlo presso un apposito punto di raccolta destinato al riciclaggio degli apparecchi elettrici ed elettronici e degli imballaggi. Il riciclaggio dei materiali contribuisce a evitare danni ambientali e riduce la necessità di materie prime.

Batteries

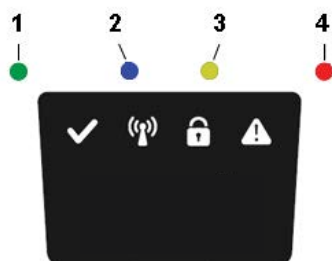


Al termine della loro vita utile, smaltire le batterie nel rispetto dell'ambiente. La batteria contiene materiali nocivi per l'ambiente e la salute. Rimuovere la batteria e smaltirla separatamente presso gli appositi punti di raccolta di batterie agli ioni di litio.

Risoluzione dei problemi

Questa sezione presenta anche alcuni sintomi che possono aiutare a identificare l'origine di eventuali problemi di funzionamento del tosaerba.

SPIE LED SUL TOSAERBA



LED	STATO	SIGNIFICATO	AZIONE
1. In funzione (verde)	Lampeggiante	Modalità di recupero	Mettere il robot nella stazione di ricarica per un massimo di 5 ore e attendere che il LED verde smetta di lampeggiare. Se il LED non smette di lampeggiare, riavviare il robot fuori dalla stazione di ricarica e riprovare .
	Acceso	Il tagliaerba è in modalità operativa (sotto ricarica, collegato alla stazione di ricarica, in pausa, in funzione o in ricerca)	
	Spento	Il tagliaerba è stato arrestato con il pulsante STOP, la chiave di sicurezza è stata rimossa, il tagliaerba è in modalità di errore o in attesa del codice PIN	
2. Connettività (blu)	Lampeggiante	Il tagliaerba non è pronto al collegamento Bluetooth	
	Acceso	Il tagliaerba è pronto al collegamento Bluetooth con l'app per dispositivi mobili	
	Spento	L'apparecchio non è in modalità di accensione "	
3. Sicurezza (giallo)	Lampeggiante	Codice PIN autorizzazione necessaria	... tramite l'app per dispositivi mobili
	Spento	Non occorre PIN	Non occorre nessuna azione
4. Errore (rosso)	Lampeggiante	Apparecchio spento con errore	Controllare la causa dell'errore e riavviare l'apparecchio, premendo il pulsante di Start sul tosaerba.

ROTTURA DEL CAVO PERIMETRALE E DEL CAVO GUIDA

La rottura del cavo perimetrale o del cavo guida (se installato) è dovuta generalmente a danni fisici non intenzionali.

Ispezionare l'intero cavo perimetrale dalla stazione di ricarica e viceversa.

Ispezionare il cavo guida (se installato) dalla stazione di carica al giunto sul cavo perimetrale.

Verificare che tutti gli accoppiatori siano premuti correttamente per creare i collegamenti.

Specifiche tecniche

	OPTIMOW 10	OPTIMOW 15
Dimensioni:		
Altezza	26 cm	26 cm
Lunghezza	62 cm	62 cm
Larghezza	50 cm	50 cm
Peso	11 kg	11 kg
Sistema elettrico:		
Batteria Li-Ion Speciali	24 V/2,0 Ah, cod. comp. 211022355 / T0100607-00	24 V/2,0 Ah, cod. comp. 211022355 / T0100607-00
Alimentazione	220-240 V/32 V DC	220-240 V/32 V DC
Basso voltaggio lunghezza del cavo	10 m	10 m
Consumo di energia in perfetta media	8 kWh/mese per un'area di lavoro di 1.000 m ²	10 kWh/mese per un'area di lavoro di 1500 m ²
Corrente di ricarica	1,3 A DC	1,3 A DC
Medio del tempo di ricarica	140 minuti	70 minuti
Il tempo medio del taglio	70 minuti	70 minuti
Rumorosità: *)		
Livello di potenza sonora misurato * *)	55 dB (A)	55 dB (A)
Livello di potenza sonora garantito	57 dB (A)	57 dB (A)
Livello di pressione sonora * * *)	44 dB (A)	44 dB (A)
Uso del tosaerba:		
Sistema di taglio	Tre lame da taglio rotanti	Tre lame da taglio rotanti
Consumo di energia medio durante il taglio	25 W ± 20%	25 W ± 20%
Altezza di taglio	2-6 cm	2-6 cm
Larghezza di taglio	22 cm	22 cm
I possibili passggi piu stretto	60 cm	60 cm
Pendenza massima per l'area di taglio	35%	35%
Pendenza massima per il cavo perimetrale	15%	15%
Lunghezza cavo massima	800 m	800 m
Portata operativa****)	1,000 m ²	1,500 m ²
Area capacità raccomandata	0 - 700 m ²	500 - 1,200 m ²
Classe IP:		
Tosaerba	IPX5	IPX5
Stazione di ricarica	IPX3	IPX3
Alimentazione	IP67	IP67

SCHEDE DELLE FREQUENZE RADIO		
	LTE & GSM	Dispositivi a corto raggio (SRD, Short Range Devices) (cavo perimetrale)
Banda di frequenza	LTE-FDD: B1/B2/B3/B4/B5/B8/B12/B13/B18/ B19/B20/B25/B26/B27/B28/B66/B71/B85 GSM: 850/900/1800/1900 MHz	0~148.5KHz
Potenza massima in uscita (dBm)	LTE-FDD: 21 dBm +1.7/-3 dB GSM850/EGSM900: 33 dBm ±2 dB DCS1800/PCS1900: 30 dBm ±2 dB GSM850/EGSM900 (8-PSK): 27 dBm ±3 dB DCS1800/PCS1900 (8-PSK): 26 dBm ±3 dB	NA

*) Les déclarations d'émissions acoustiques sont conformes à la norme EN 50636-2-107

**) incertitudes KWA, 2 dB (A)

***) incertitudes KPA, 2 dB (A)

****) Dichiarazione della portata operativa ai sensi di EGMF RLM004-1.0/2016.

Dichiarazione di conformità CE

Nome e indirizzo della Il costruttore

Il costruttore: Globe Technologies Europe GmbH

Indirizzo: Brunnenweg 17, 64331 Weiterstadt, Germania

Nome e indirizzo della persona autorizzata a compilare il fascicolo tecnico

Nome: Ralf Pankalla

Indirizzo: Brunnenweg 17, 64331 Weiterstadt, Germania



Con la presente si dichiara che il prodotto

Categoria:	Robot tosaerba
Modello:	Greenworks Optimow 10/ Greenworks Optimow 15
Numero di serie:	Consultare la targa del prodotto
N. di serie	Consultare la targa del prodotto

- È conforme ai requisiti pertinenti della direttiva Macchine 2006/42/EC
- È conforme ai requisiti delle seguenti direttive europee:

- Direttiva Compatibilità elettromagnetica 2014/30/EU
- Direttiva Apparecchiature radio 2014/53/EU
- Direttiva Bassa tensione 2014/35/EU
- Direttiva RoHS (Restrizioni sull'uso di alcune sostanze pericolose nelle apparecchiature elettriche ed elettroniche 2011/65/EU e (EU)2015/863

- Inoltre, si dichiara di aver utilizzato i seguenti standard europei

- EN 60335-1, EN 50636-2-107, EN 60335-2-29,
- EN 62233, EN 55014-1, EN 55014-2, EN 61000-3-2,
- EN 61000-3-3, EN 61558-1, EN 61558-2-16, EN 62311,
- EN 303 447, EN 303 413, EN 301 511,
- EN 301 489-1, EN 301 489-19, Draft ESTI EN 301 489-52,
- EN 62321-3-1, EN 62321-4, EN 62321-5, EN 62321-6,
- EN 62321-7-1, EN 62321-7-2, EN 62321-8

Ted Qu Haichao
Direttore Qualità

Weiterstadt, 26.06.2021

Ted Qu

Les pages suivantes comportent des instructions de sécurité, d'entretien et de maintenance. Pour le fonctionnement, consultez le guide rapide accompagnant la machine.

Vous devez lire et passer en revue attentivement l'ensemble des instructions de sécurité, avertissements et précautions contenus dans ce manuel et dans le guide rapide.

À défaut de lire et respecter ces instructions de sécurité, avertissements et précautions, vous vous exposez à des blessures graves, voire mortelles, pour les personnes et les animaux de compagnie et à des dommages pour les biens.

Le manuel d'instructions complet est disponible sur le site Web : <https://url.globetools.systems/MTweE>

Code QR :

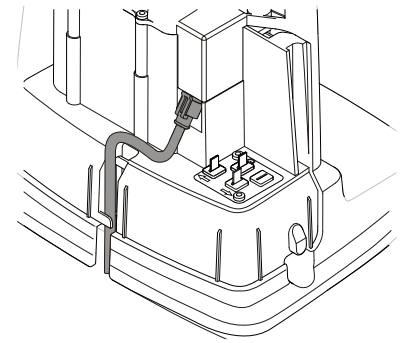
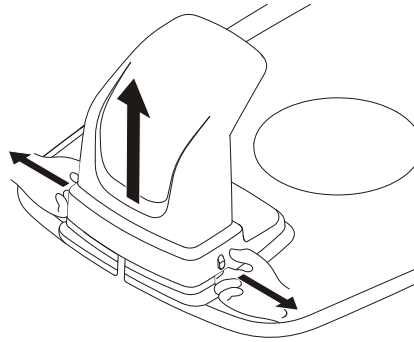


Sommaire

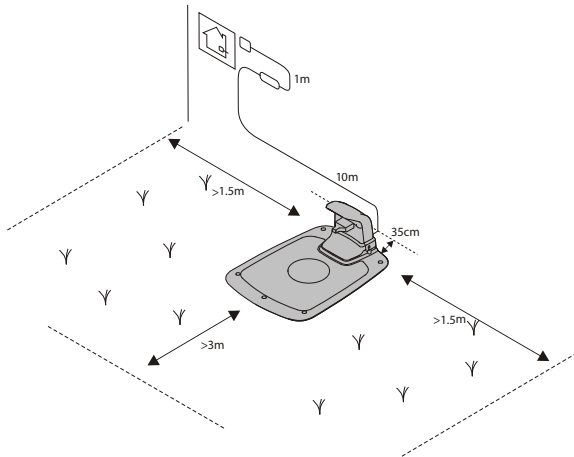
Installation	39
Connexion d'alimentation électrique	39
Installation de fil périphérique.....	39
Sécurité du produit	40
Explication des symboles sur la tondeuse.....	40
Lecture du manuel opérateur.....	40
Sécurité opérationnelle.....	42
Protection environnementale.....	43
Dépannage	44
Indicateurs LED sur la tondeuse	44
Casse du fil périphérique ou du fil de Guidage.....	44
Données techniques	45
Déclaration de conformité CE.....	46

Les supports, données techniques et figures de ce manuel sont fournis uniquement à titre indicatif et ne sont pas contraignants. Le fabricant se réserve le droit d'apporter toute modification aux caractéristiques techniques et à toutes les fonctionnalités opérationnelles, supports, données techniques ou figures sans préavis.

Installation



FR



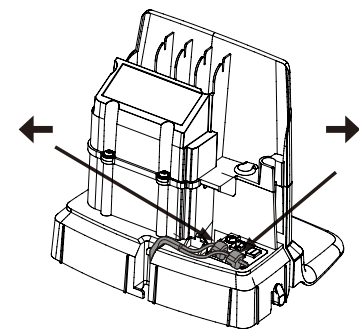
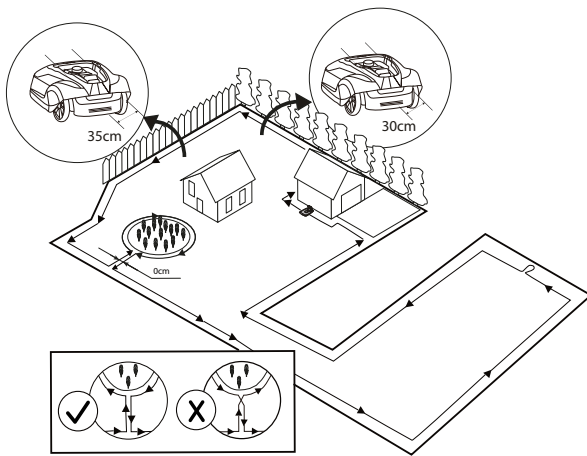
CONNEXION D'ALIMENTATION ÉLECTRIQUE

Connectez l'alimentation électrique dans un environnement fraîche et sec, protégé de la lumière directe du soleil.

Si l'alimentation électrique est connectée à une prise électrique à extérieur, la prise doit être agréée pour un usage à l'extérieur.

Le câble basse tension peut traverser la zone de travail s'il est fixé au sol avec des cavaliers ou enterré.

ATTENTION : Abstenez-vous de toute coupure, épissure ou altération du câble basse tension. L'altération d'un câble basse tension annule la garantie du produit.



INSTALLATION DU FIL PÉRIPHÉRIQUE

Après avoir délimité la zone de coupe avec le fil, posez la bobine de fil sur la station de charge.

Revenez à la périphérie de la zone de coupe et fixez le fil périphérique soit avec des piquets, soit en l'enterrant. Les piquets sont recommandés car ils permettent un ajustement lors des premières semaines de travail.

Pour arrimer le fil périphérique avec des piquets :

- Coupez l'herbe à ras avec une tondeuse à gazon ordinaire ou un coupe-bordure à l'endroit de pose du fil.
- Posez le fil périphérique au sol et arrimez-le avec les piquets rapprochés.
- Enfoncez ou martelez les piquets dans le sol.

N'enfoncez les piquets pas trop profondément afin d'éviter trop de tension physique sur le fil périphérique.

Pour enterrer le fil périphérique :

- Enterrez le fil périphérique de 1 à 20 cm dans le sol.

Consultez le manuel complet en ligne pour l'installation du fil de guidage.



Sécurité du produit

Pour compléter ce manuel opérateur, vous retrouvez davantage d'informations sur le site web : www.greenworkstools.eu

EXPLICATION DES SYMBOLES SUR LA TONDEUSE



Cet outil électrique est dangereux. Soyez prudent en l'utilisant et respectez l'ensemble des avertissements et instructions de sécurité.

Lisez attentivement le manuel opérateur avant d'utiliser la tondeuse.



Retirez la clé de sécurité avant de travailler sur la tondeuse ou de la lever.



Risque de projection d'objets durant le fonctionnement.

Préservez une distance de sécurité avec la tondeuse en fonctionnement et maintenez les personnes présentes, spécialement les enfants, mais aussi les animaux de compagnie et les spectateurs à l'écart de la zone d'utilisation de la tondeuse.



Ne chevauchez pas la tondeuse.



Appareil de classe III

LECTURE DU MANUEL OPÉRATEUR

Les symboles suivants sont importants pour la lecture et la compréhension des instructions d'utilisation.



Portez des gants de protection

Le système suivant est employé dans le manuel opérateur pour faciliter la compréhension :

- **AVERTISSEMENT !** Les textes d'avertissement alertent les utilisateurs sur l'existence et la nature des dangers afin d'éviter les blessures inhérentes grâce à une conduite appropriée durant l'usage du produit.
- **ATTENTION :** Les textes d'attention alertent les utilisateurs sur l'existence et la nature des risques présentés par le produit afin d'éviter de l'endommager grâce à une conduite appropriée durant l'usage du produit.
- **NOTE :** Les notes offrent aux utilisateurs et aux consommateurs des informations additionnelles sur l'usage du produit.
- Le texte rédigé en **gras et italique** désigne une autre section du manuel opérateur.
- Le texte rédigé en **gras** se réfère aux réglages de la tondeuse.

Sécurité du produit

IMPORTANT

LISEZ ATTENTIVEMENT AVANT USAGE ! CONSERVEZ POUR RÉFÉRENCE ULTÉRIEURE !

Formation

AVERTISSEMENT ! Maintenez à l'écart de la machine ! Supervisez les enfants !

- Lisez attentivement les instructions. Familiarisez-vous avec les commandes et l'usage approprié de la machine.
- Ne laissez jamais les personnes non familiarisées avec ces instructions ou les enfants utiliser la machine. La réglementation locale peut limiter l'âge de l'opérateur.
- L'opérateur ou l'utilisateur assume la responsabilité des accidents et dangers pour les autres personnes et les biens.

Préparation

- Assurez-vous de l'installation correcte des fils périphériques et de guidage selon les instructions.
- Inspectez périodiquement la zone d'usage de la machine et retirez tous les bâtons, pierres, fils, os et autres corps étrangers.
- Effectuez périodiquement une inspection visuelle pour vous assurer que les lames, les boulons de lame et l'assemblage de coupe ne sont ni usés, ni endommagés. Remplacez les lames et boulons usés ou endommagés ensemble pour préserver l'équilibre.

Généralités

- N'utilisez jamais la machine si les protections sont défectueuses ou sans les dispositifs de sécurité, ainsi la carrosserie, en place.
- Ne placez pas les mains ou les pieds à proximité ou sous les pièces en rotation.
- Ne soulevez et ne transportez pas une machine dont le moteur tourne.
- Retirez (ou Utilisez) le dispositif de désactivation de la machine
 - avant d'éliminer un blocage ;
 - avant de vérifier, nettoyer ou travailler sur la machine.
- Ne laissez pas la machine travailler sans surveillance si vous savez que des animaux de compagnie, des enfants ou quiconque se trouvent à proximité.

Maintenance et stockage

- Assurez-vous du serrage de tous les écrous, boulons et vis pour être certain que la machine est en bon état de marche et en toute sécurité.
- Par mesure de sécurité, remplacez les pièces usées ou endommagées.
- Assurez-vous d'employer uniquement des moyens de coupe de rechange adapté à la machine.
- Assurez-vous que les batteries sont chargées avec le chargeur recommandé par le fabricant. Un usage incorrect peut entraîner une décharge électrique, une surchauffe ou une fuite de liquide corrosif de la batterie.
- En cas de fuite d'électrolyte, rincez avec de l'eau /agent de neutralisation, faites appel à un médecin en cas de contact avec les yeux, etc.
- L'entretien de la machine doit respecter les instructions du fabricant.

AVERTISSEMENT ! À des fins de recharge de batterie, utilisez uniquement l'unité d'alimentation amovible accompagnant cet appareil.

AVERTISSEMENT ! Cet appareil contient des batteries remplaçables uniquement par des personnes compétentes.

Fonctionnement

DÉMARRAGE ET ARRÊT DE LA TONDEUSE

Démarrage de la tondeuse :

- 1 Insérez la clé de sécurité et tournez la dans le sens antihoraire sur la position "1".
- 2 Glissez le loquet du bouton **START** en arrière.
- 3 Appuyez sur le bouton **START**.

Arrêt de la tondeuse :

Appuyez sur le bouton **STOP** de la tondeuse.

MISE HORS TENSION DE LA TONDEUSE

Appuyez sur le bouton **STOP** de la tondeuse et retirez la clé de sécurité.

AVERTISSEMENT ! Retirez systématiquement la clé de sécurité pour exécuter la maintenance ou si la tondeuse doit être déplacée.

Sécurité du produit

SÉCURITÉ OPÉRATIONNELLE

This operator manual contains all of the basic information concerning the safe operation and maintenance of the mower.



Lisez attentivement l'ensemble des précautions et instructions relatives à la sécurité de ce manuel opérateur avant d'utiliser la tondeuse. Conservez ce manuel opérateur pour référence ultérieure. Respectez les instructions du fabricant relatives à l'installation, au fonctionnement, à la maintenance et aux réparations.

Cette tondeuse est conçue pour couper l'herbe dans des zones ouvertes et nivelées. Utilisez uniquement l'équipement recommandé par le fabricant. Tous les autres types d'usage sont incorrects.



Cette tondeuse respecte les directives et normes de sécurité de l'UE, relatives à la compatibilité électromagnétique, aux machines et aux basses tensions.



La tondeuse n'a pas été conçue pour être utilisée par des personnes (y compris les enfants) dont les capacités physiques, sensorielles ou mentales sont réduites, voire des personnes dénuées d'expérience ou de connaissance, sauf si elles ont bénéficié, par l'intermédiaire d'une personne responsable de leur sécurité, d'une surveillance ou d'instructions préalables concernant l'utilisation de l'appareil.

Les enfants doivent être surveillés pour assurer qu'ils ne jouent pas avec l'appareil.

La tondeuse doit être utilisée, entretenue et réparée uniquement par des personnes comprenant parfaitement ses caractéristiques spéciales et la réglementation relative à la sécurité.

Démarrez la tondeuse selon les instructions. Avec la clé de sécurité sur la position Activé, maintenez vos mains et vos pieds à l'écart des lames en rotation.

Ne mettez jamais vos mains ou vos pieds sous la tondeuse.

Ne modifiez pas le design d'origine de la tondeuse. Toute modification annule la garantie.

Arrêtez la tondeuse avec le bouton **STOP** sur la tondeuse si des personnes, spécialement des enfants, ou des animaux de compagnie sont dans la zone de coupe. Nous recommandons de programmer la tondeuse pour travailler durant les heures pendant lesquelles les personnes et animaux de compagnie sont absents.

Retirez tout objet de la zone de travail, ainsi les branches, jouets, pierres et outils susceptibles d'endommager les lames. La tondeuse peut être piégée sur des objets dans la zone de travail et avoir besoin d'aide pour retirer l'objet avant de poursuivre la tonte.

Ne levez et ne transportez jamais la tondeuse avec la clé de sécurité insérée.

Arrêtez systématiquement la tondeuse avec le bouton **STOP** si elle n'est pas en usage. La tondeuse peut uniquement démarrer si la clé de sécurité est insérée et après l'activation du bouton **START**.

L'alarme intégrée est très puissante. Fates attention, spécialement si la tondeuse est manipulée à l'intérieur.

N'utilisez pas la tondeuse avec un bloc ou un disque de coupe défectueux.

Ne laissez personne ignorant du fonctionnement et du comportement de la tondeuse l'utiliser.

Ne placez rien sur de la tondeuse ou sa station de charge.



Portez systématiquement des gants de protection quand vous manipulez les lames de la tondeuse.

Remplacement de batterie

AVERTISSEMENT ! En cas de fuite d'électrolyte, rincez avec de l'eau /agent de neutralisation et faites appel à un médecin en cas de contact d'électrolyte avec les yeux.

Chargez la batterie uniquement dans la station de charge d'origine. Un usage incorrect peut entraîner une décharge électrique, une surchauffe ou une fuite de liquide corrosif de la batterie.

Il s'agit d'une batterie sans maintenance mais elle présente une vie utile limitée de 2 à 4 ans selon la durée de la saison et le nombre d'heures de travail de la tondeuse par jour.

AVERTISSEMENT ! Appuyez sur le bouton STOP et retirez la clé de sécurité avant le remplacement des batteries, sans oublier de porter des gants de protection.

ATTENTION : Utilisez uniquement des pièces de rechange d'origine.

Retournez la tondeuse et retirez les quatre vis Torx T20 puis retirez le cache de batterie.

Débranchez le connecteur de borne de batterie.

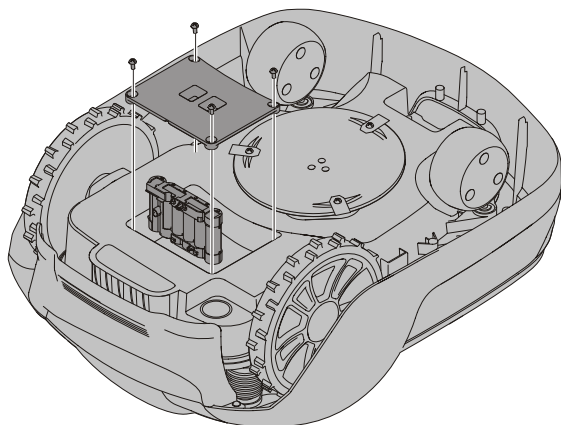
Levez la batterie bien droite.

Insérez la nouvelle batterie dans l'emplacement 1 (emplacement arrière).

Branchez le connecteur de borne de batterie sur la nouvelle batterie.

Remettez le cache de batterie en place et insérez puis serrez les quatre vis Torx T20.

Insérez la clé de sécurité sous la tondeuse et tournez sur la position Activé. Placez la tondeuse dans la station de charge pour l'activation et la charge de la batterie.



FR

Protection environnementale



Selon la législation européenne 2012/19/EU, les équipements électriques et électroniques qui ne peuvent plus être utilisés et, selon la législation européenne 2006/66/EC, les batteries /pack-batteries défectueux ou usagés doivent faire l'objet d'une collecte séparée et être mis au rebut écologiquement.

Le symbole sur la tondeuse ou son emballage indique que ce produit ne peut pas être traité comme un déchet ménager. En lieu et place, il devrait être traité par une déchetterie adaptée au recyclage de ses composants électroniques et de ses batteries.

Les batteries sont installées dans le châssis de la tondeuse.

En vous assurant que ce produit est correctement pris en charge, vous contribuez à compenser l'impact négatif potentiel sur l'environnement et les personnes qui résulterait autrement d'une gestion incorrecte des déchets pour ce produit.

Pour en savoir plus sur le recyclage de ce produit, contactez votre municipalité, votre déchetterie ou la boutique dans laquelle vous avez acheté le produit.



Grâce à la collecte séparée de la machine usagée et de l'emballage, vous assurez le recyclage des matériaux et leur réutilisation. L'usage des matériaux recyclés contribue à lutter contre la pollution environnementale et réduit la demande de matières premières.

Batteries

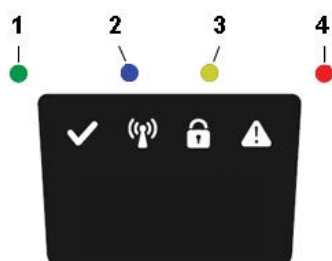


À la fin de leur cycle de vie utile, mettez les batteries /piles au rebut avec précaution pour notre environnement. Une batterie /pile contient des substances dangereuses pour vous et l'environnement. Vous devez retirer et mettre au rebut ces substances à part sur un site acceptant les batteries /piles lithium-ion.

Dépannage

Cette section présente aussi quelques symptômes pouvant vous guider si la tondeuse ne fonctionne pas comme prévu.

INDICATEURS LED SUR LA TONDEUSE



LED	ÉTAT	SIGNIFICATION	ACTION
1. Marche (Vert)	Clignotement	Mode récupération	Placez le robot dans la station de charge pendant 5 heures au maximum et attendez que l'indicateur LED vert cesse de clignoter. Si l'indicateur LED n'arrête pas de clignoter, redémarrez le robot en dehors de la station de charge et réessayez.
	Allumé	Tondeuse en mode travail (charge, stationnement dans station de charge, pause, tonte ou recherche)	
	Éteint	Tondeuse arrêtée avec le bouton Stop sur la tondeuse, clé de sécurité en position Désactivé, tondeuse en état d'erreur ou tondeuse en attente de code PIN.	
2. Connectivité (Bleu)	Clignotement	Tentative de connexion à serveur Internet	
	Allumé	Connectée à serveur Internet	
	Éteint	Tondeuse pas en "Mode sous tension"	
3. Sécurité (Jaune)	Clignotement	Autorisation par code PIN requise	... via app mobile.
	Éteint	Aucun code PIN requis	Aucune action requise
4. Erreur (Rouge)	Clignotement	Tondeuse arrêtée par une erreur	Recherchez le motif de l'erreur puis redémarrez en appuyant sur le bouton Start de la tondeuse.

CASSE DU FIL PÉRIPHÉRIQUE OU DU FIL DE GUIDAGE

La casse du fil périphérique et du fil de guidage (le cas échéant) résulte habituellement des dommages physiques involontaires.

Inspectez l'intégralité du fil périphérique depuis la station de charge et jusqu'à elle.

Inspectez le fil de guidage (le cas échéant) depuis la station de charge jusqu'à l'épissure avec le fil périphérique.

Assurez-vous que tous les accouplements sont bien serrés pour établir les connexions.

Données techniques

	OPTIMOW 10	OPTIMOW 15
Dimensions :		
Hauteur	26 cm	26 cm
Longueur	62 cm	62 cm
Largeur	50 cm	50 cm
Poids	11 kg	11 kg
Système électrique :		
Batterie, batterie Lithium-ion spéciale	24 V / 2,0 Ah, Réf. pièce 211022355 / T0100607-00	24 V / 2,0 Ah, Réf. pièce 211022355 / T0100607-00
Alimentation électrique	100-240 V/32 V DC	100-240 V/32 V DC
Longueur de câble basse tension	10 m	10 m
Consommation d'énergie moyenne pour usage maximum	8 kWh/mois pour une zone de travail de 1 000 m ²	10 kWh/mois pour une zone de travail de 1 500 m ²
Courant de charge	1,3 A DC	1,3 A DC
Temps de charge moyen	140 minutes	70 minutes
Temps de coupe moyen	70 minutes	70 minutes
Émissions acoustiques : *)		
Niveau acoustique de puissance acoustique mesuré **)	55 dB (A)	55 dB (A)
Niveau acoustique de puissance acoustique garanti	57 dB (A)	57 dB (A)
Niveau acoustique de puissance acoustique ***)	44 dB (A)	44 dB (A)
Tonte :		
Système de coupe	Trois lames de coupe pivotantes	Trois lames de coupe pivotantes
Puissance absorbée moyenne pendant la coupe	25 W ± 20%	25 W ± 20%
Hauteur de coupe	2-6 cm	2-6 cm
Largeur de coupe	22 cm	22 cm
Passage le plus étroit possible	60 cm	60 cm
Pente maximum de zone de coupe	35%	35%
Pente maximum de fil périphérique	15%	15%
Longueur maximum de fil périphérique	800 m	800 m
Capacité d'utilisation****)	1 000 m ²	1 500 m ²
Capacité de zone recommandée	0 - 700 m ²	500 - 1 200 m ²
Classification IP :		
Tondeuse	IPX5	IPX5
Station de charge	IPX3	IPX3
Alimentation électrique	IP67	IP67

FR

FICHE TECHNIQUE RADIOFRÉQUENCE

	LTE & GSM	Dispositifs à faible portée (SRD) (fil périphérique)
Plage de fréquence	LTE-FDD: B1/B2/B3/B4/B5/B8/B12/B13/B18/ B19/B20/B25/B26/B27/B28/B66/B71/B85 GSM: 850/900/1800/1900 MHz	0~148.5KHz
Puissance de sortie max (dBm)	LTE-FDD: 21 dBm +1.7/-3 dB GSM850/EGSM900: 33 dBm ±2 dB DCS1800/PCS1900: 30 dBm ±2 dB GSM850/EGSM900 (8-PSK): 27 dBm ±3 dB DCS1800/PCS1900 (8-PSK): 26 dBm ±3 dB	NA

*) Les déclarations d'émissions acoustiques sont conformes à la norme EN 50636-2-107

**) incertitudes KWA, 2 dB (A)

***) incertitudes KPA, 2 dB (A)

****) Capacité d'utilisation conforme à EGMF RLM004-1.0/2016.

Déclaration de conformité CE



Nom et adresse de la Fabricant :

Fabricant: Globe Technologies Europe GmbH

Adresse: Brunnenweg 17, 64331 Weiterstadt, Allemagne

Nom et adresse de la personne autorisée à compiler le dossier technique :

Nom: Ralf Pankalla

Adresse: Brunnenweg 17, 64331 Weiterstadt, Allemagne

Nous déclarons ici que le produit :

Catégorie :	Tondeuse à gazon robotique
Modèle :	Greenworks Optimow 10/ Greenworks Optimow 15
Numéro de série :	Voir étiquette de caractéristiques du produit.
N° série	Voir étiquette de caractéristiques du produit.

- est en conformité avec les dispositions pertinentes de la Directive Machine 2006/42/CE
- est en conformité avec les dispositions des autres Directives suivantes :

- Compatibilité électromagnétique- Directive 2014/30/UE
- Équipement radio - Directive 2014/53/UE
- Directive basse tension 2014/35/UE
- Directive relative aux restrictions d'usage de certaines substances dangereuses dans les équipements électriques et électroniques (RoHS) 2011/65/UE & 2015/863/UE

- En outre, nous déclarons que les normes suivantes ont été appliquées :

- EN 60335-1, EN 50636-2-107, EN 60335-2-29,
- EN 62233, EN 55014-1, EN 55014-2, EN 61000-3-2,
- EN 61000-3-3, EN 61558-1, EN 61558-2-16, EN 62311,
- EN 303 447, EN 303 413, EN 301 511,
- EN 301 489-1, EN 301 489-19, Draft ESTI EN 301 489-52,
- EN 62321-3-1, EN 62321-4, EN 62321-5, EN 62321-6,
- EN 62321-7-1, EN 62321-7-2, EN 62321-8

Ted Qu Haichao
Directeur Qualité
Weiterstadt, 26.06.2021

Ted Qu

As páginas seguintes contêm instruções de segurança, reparação e manutenção. Quanto ao funcionamento, leia o guia de início rápido fornecido com a máquina.

Leia atentamente e reveja todas as instruções de segurança, avisos e cuidados apresentados neste manual e no guia de início rápido.

Qualquer falha em ler e seguir estas instruções, avisos e cuidados pode dar origem a ferimentos graves ou morte de pessoas e animais de estimação, ou danos patrimoniais.

O manual de instruções completo está disponível em

Website: <https://url.globetools.systems/VUdXI>

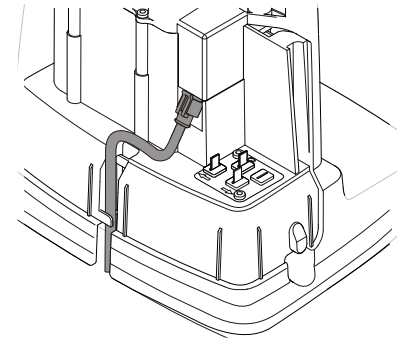
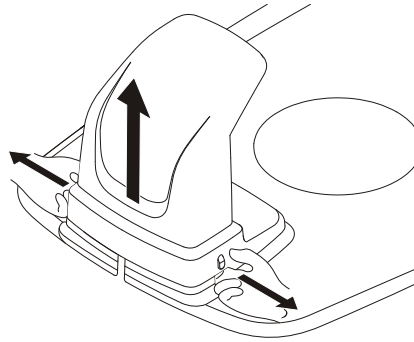
Código QR:



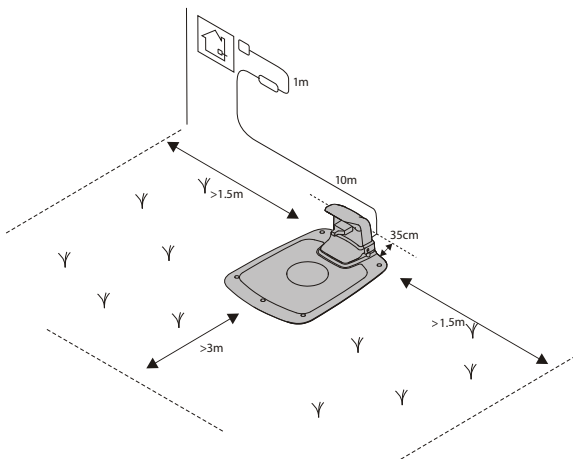
Índice

Instalação	48
Ligar a fonte de alimentação	48
Instalar o fio de delimitação.....	48
Segurança do produto	49
Explicação dos símbolos sobre o corta-relva.....	49
Leitura do manual do operador	49
Segurança operacional.....	51
Proteção ambiental.....	52
Resolução de Problemas.....	53
Indicadores LED no corta-relva.....	53
Quebras no fio de delimitação e fio-guia	53
Características Técnicas.....	54
Declaração de Conformidade CE	55

Os materiais, dados técnicos e imagens neste manual são fornecidos apenas como orientação e não são vinculativos. O fabricante reserva-se o direito de efetuar quaisquer alterações nas características técnicas e em todas as características de funcionamento, materiais, dados técnicos ou imagens sem aviso prévio.



PT

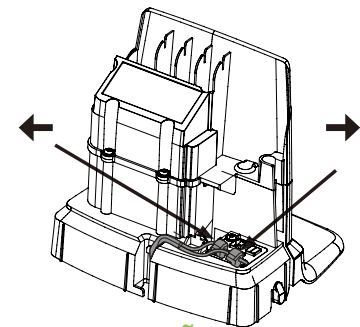
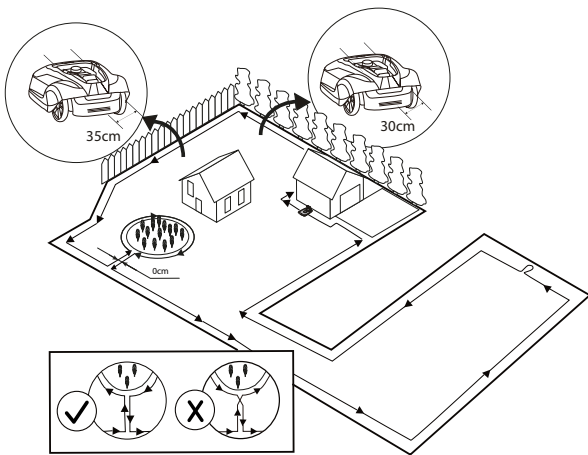


LIGAR A FONTE DE ALIMENTAÇÃO

Ligue a fonte de alimentação em um ambiente fresco e seco; fora da luz direta do sol.

Se a fonte de alimentação estiver ligada a uma tomada elétrica ao ar livre, deve ser aprovada para uso ao ar livre. O cabo de baixa tensão pode atravessar a área de atuação se for grampeado para baixo ou enterrado.

CUIDADO: Não cortar, emendar ou alterar o cabo de baixa tensão. Alterar o cabo de baixa tensão irá anular a garantia do produto.



INSTALAR O FIO DE DELIMITAÇÃO

Coloque a bobina dorolo de fiona estação de carregamento.

Volte em torno do limite da área operacional e fixe o fio de delimitação usando pinos ou enterrado no solo. São recomendados pinos, uma vez que permite o ajuste durante as primeiras semanas da operação.

Ao fixar o fio de delimitação com pinos:

- Corte a relva muito baixa com um corta-relva padrão ou um aparador onde o fio está colocado.
- Coloque o fio de delimitação no chão e segure-o com pinos próximos um do outro.
- Empurre ou martele os pinos no chão.

Não empurre os pinos muito fundos no chão para poderem esticar o fio de delimitação.

Quando enterrar o fio de delimitação:

- Enterre o fio de delimitação a 1 — 20 cm no chão.

Por favor, consulte o manual completo online para a instalação do fio-guia.



Segurança do produto

Como complemento deste manual do operador, estão disponíveis mais informações no site: www.greenworkstools.eu

EXPLICAÇÃO DOS SÍMBOLOS SOBRE O CORTA-RELVA



Esta é uma ferramenta perigosa. Tenha cuidado quando operar e siga todas as instruções de segurança e avisos.

Leia atentamente o manual do operador antes de operar o corta-relva.



Remova a chave de segurança antes de trabalhar ou levantar o corta-relva.



Perigo de objetos projetados durante a operação.

Mantenha uma distância segura do corta-relvas quando operar e mantenha as pessoas, especialmente crianças, animais e espetadores longe da área onde o corta-relvas está a ser operado.



Não se monte no corta-relva.



Aparelho de classe III

LEITURA DO MANUAL DO OPERADOR

Os seguintes símbolos são importantes para a leitura e o entendimento do manual de instruções.



Use luvas de proteção.

O sistema seguinte é usado no manual do operador para tornar mais fácil de entender:

- **AVISO!** Os textos de aviso alertam os utilizadores e consumidores para a existência e para a natureza dos perigos para que possam evitar lesões devido a conduta adequada durante o uso do produto.
- **CUIDADO:** Os textos de aviso alertam os utilizadores e consumidores para a existência e para a natureza dos riscos do produto para que possam evitar danos no produto devido a conduta adequada durante o uso do produto.
- **NOTA:** As notas informam os utilizadores e consumidores sobre informações adicionais sobre o uso do produto.
- Texto escrito em **negrito itálico** refere-se a outra secção no manual do operador.
- Texto escrito em **negrito** refere-se a configurações sobre o corta-relva.

Segurança do produto

IMPORTANTE

LEIA COM ATENÇÃO ANTES DA UTILIZAÇÃO. GUARDE PARA REFERÊNCIA FUTURA!

Formação

AVISO! Corta-relva automático! Supervisione as crianças!

- Leia atentamente as instruções. Familiarize-se com os controlos e o uso adequado da máquina.
- Nunca permita que pessoas não familiarizadas com essas instruções ou crianças usem o aparelho. Os regulamentos locais podem restringir a idade do operador.
- O operador ou o utilizador é responsável por acidentes ou perigos que ocorram em outras pessoas ou na sua propriedade.

Preparação

- Garanta a correta instalação dos fios de delimitação e guia, conforme indicado.
- Inspeccione periodicamente a área onde a máquina está a ser usada e remova todas as pedras, varas, fios, ossos e outros objetos estranhos.
- Inspeccione periodicamente para ver se as lâminas, parafusos e o conjunto de corte não estão desgastados ou danificados. Substitua as lâminas gastas ou danificadas e os parafusos em conjuntos para preservar o equilíbrio.

Funcionamento

- Nunca opere a máquina com proteções defeituosas ou sem dispositivos de segurança, por exemplo, a estrutura, no devido lugar.
- Não coloque as mãos ou os pés próximos ou por baixo das peças rotativas.
- Nunca pegue ou transporte uma máquina com o motor em funcionamento.
- Remova (ou opere) o dispositivo de desativação da máquina
 - antes de limpar um bloqueio;
 - antes de inspecionar, limpar ou efetuar trabalhos na máquina.
- Não deixe a máquina a funcionar sem vigilância ou se souber que existem animais de estimação, crianças ou pessoas nas proximidades.

Manutenção e armazenamento

- Mantenha todas as porcas e parafusos apertados para verificar se a máquina está em condições de funcionamento seguro.
- Por motivos de segurança, substitua as peças desgastadas ou danificadas.
- Garanta que utiliza apenas o corte de substituição do tipo certo.
- Verifique se as baterias estão carregadas usando o carregador correto, recomendado pelo fabricante. O uso incorreto pode resultar em choque elétrico, sobreaquecimento ou vazamento do líquido corrosivo da bateria.
- Em caso de vazamento de eletrólito, lave com água/ágente de neutralização, procure ajuda médica se entrar em contacto com os olhos, etc.
- A manutenção da máquina deve ser de acordo com as instruções dos fabricantes.

AVISO! Para recarregar a bateria, use apenas a unidade de alimentação amovível fornecida com este aparelho.

AVISO! Este aparelho contém baterias que só podem ser substituídas por um técnico especializado.

Funcionamento

INICIAR E PARAR O CORTA-RELVA

Para iniciar o corta-relva:

- 1 Insira a chave de segurança e rode para a esquerda para a posição "1".
- 2 Deslize a trava do botão **START** para trás.
- 3 Pressione o botão **START**.

Para parar o corta-relva:

Pressione o botão **STOP** no corta-relva.

DESLIGAR O CORTA-RELVA

Pressione o botão **STOP** no corta-relva e retire a chave de segurança.

AVISO! Retire sempre a chave de segurança ao executar a manutenção ou se o corta-relva for movido.

Segurança do produto

SEGURANÇA OPERACIONAL

Este manual de operador contém todas as informações básicas sobre a operação segura e manutenção do corta-relva.



Leia atentamente todas as instruções deste manual do operador e as precauções de segurança antes de operar o corta-relva. Guarde este manual de operador para referência futura. Siga as instruções do fabricante sobre a instalação, operação, manutenção e reparação.

Este corta-relva foi projetado para cortar relva em áreas abertas e niveladas. Use somente equipamento recomendado pelo fabricante. Todos os outros tipos de uso são incorretos.



Este corta-relva está em conformidade com as normas de segurança CE e diretivas relativas à compatibilidade eletromagnética e máquinas de baixa tensão.



O corta-relva não se destina a ser utilizado por pessoas (incluindo crianças) com capacidades físicas, sensoriais ou mentais reduzidas, ou com falta de experiência e conhecimento, a menos que tenham recebido supervisão ou instruções relativas à utilização do aparelho por uma pessoa responsável pela sua segurança.

As crianças devem ser supervisionadas para garantir que não brincam com o aparelho.

O corta-relva só deve ser operado, mantido e reparado por pessoas que entendam totalmente as suas características especiais e regulamentos de segurança.

Ponha o corta-relva a trabalhar em conformidade com as instruções. Quando a chave de segurança está na posição de "**Enabled**" (acionado), mantenha as mãos e os pés afastados das lâminas rotativas.

Nunca coloque as mãos e os pés por baixo do corta-relva.

Não modifique o projeto original do corta-relva. Todas as modificações anulam a garantia.

Desligue o corta-relva com o botão STOP no cimo do corta-relva quando pessoas, especialmente crianças, ou animais de estimação estiverem na área de corte. É recomendável que o corta-relva seja programado para uso durante horas em que a área esteja livre de pessoas ou animais de estimação.

Remova objetos da área operacional, tais como galhos, pedras, brinquedos, ferramentas que podem danificar as lâminas. O corta-relva pode bloquear em objetos na área operacional e pode ser necessária ajuda para remover o objeto antes de continuar a cortar relva com o aparelho.

Nunca levante o corta-relva ou o transporte com a chave de segurança inserida.

Desligue sempre o corta-relva com o botão STOP quando o aparelho não estiver a ser utilizado. O corta-relva só pode ser posto a funcionar quando a chave de segurança estiver inserida e o botão START (iniciar) for premido.

O alarme interno é muito alto. Tenha cuidado, especialmente se o corta-relva for usado dentro de casa.

Não utilize o corta-relva com um disco de lâmina com defeito ou o corpo.

Não deixe que pessoas que não sabem como o corta-relva funciona e se comporta o utilizarem.

Não coloque nada em cima do corta-relva ou na sua estação de carregamento.



Utilize sempre luvas protetoras quando estiver a trabalhar com as lâminas do corta-relva.

Substituir a bateria

AVISO! Em caso de fuga de eletrólitos, lave com água/ agente de neutralização e procure cuidados médicos se eletrólitos entrarem em contacto com os olhos.

Só carregue a bateria na estação de carregamento original. O uso incorreto pode resultar em choque elétrico, sobreaquecimento ou vazamento de líquido corrosivo da bateria.

A bateria está isenta de manutenção, mas tem uma vida útil limitada de 2 a 4 anos dependendo da duração da temporada e de quantas horas por dia o corta-relva é usado.

AVISO! Pressione o botão STOP e remova a chave de segurança antes de substituir a bateria e use luvas de proteção.

CUIDADO: Use apenas peças de substituição originais.

Vire o corta-relva de cabeça para baixo e remova os quatro parafusos Torx T20 e remova a tampa da bateria.

Desligue o conector terminal da bateria.

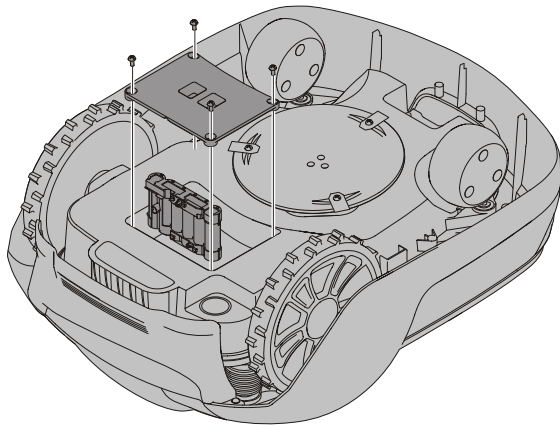
Retire a bateria para fora.

Insira a bateria nova na ranhura 1 (ranhura traseira).

Encaixe o conector terminal da bateria a a bateria nova.

Volte a colocar a tampa da bateria e insira e aperte os quatro parafusos Torx T20.

Insira a chave de segurança na parte inferior da máquina de cortar relva e gire para a posição de acionar. Coloque a máquina de cortar relva na estação de carregamento para ativar e carregar a bateria.



Produção ambiental



De acordo com a lei Europeia 2012/19/EU, equipamentos elétricos e eletrônicos que não sejam mais utilizáveis e de acordo com a legislação Europeia 2006/66/EC, baterias com defeito ou packs de baterias usados, devem ser recolhidos separadamente e eliminados de uma forma ambientalmente correta.

O símbolo sobre o corta-relva ou a sua embalagem indica que este produto não pode ser tratado como lixo doméstico. Em vez disso, deve ser deixado em um centro de reciclagem adequado para reciclar os seus componentes eletrônicos e baterias.

As baterias estão são colocadas entre o chassi sob o corta-relva.

Ao garantir que este produto é cuidado corretamente, pode ajudar a neutralizar o potencial impacto negativo sobre o ambiente e as pessoas, o que pode resultar através da gestão de resíduos incorreta deste produto.

Para informações mais detalhadas sobre a reciclagem deste produto, contate o seu município, o serviço de resíduos doméstico ou a loja onde adquiriu o produto.



A recolha seletiva de produtos usados e embalagens permite que os materiais se reciclem e voltem a utilizar. A reutilização dos materiais reciclados ajuda a prevenir a poluição ambiental e reduz a procura de matérias primas.

Batteries

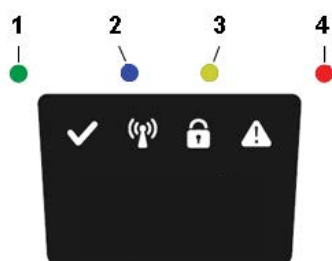


A recolha seletiva de produtos usados e embalagens permite que os materiais se reciclem e voltem a utilizar. A reutilização dos materiais reciclados ajuda a prevenir a poluição ambiental e reduz a procura de matérias primas.

Resolução de Problemas

Esta secção também apresenta alguns sintomas que podem orientá-lo se o corta-relva não funcionar como esperado.

INDICADOR LED DO CORTA-RELVALIGADO



DÍODO EMISSOR DE LUZ	ESTADO	SIGNIFICADO	AÇÃO
1. A funcionar (verde)	A piscar	Modo de recuperação	Coloque o robô na estação de carregamento durante até 5 horas, e espere que o LED verde pare de piscar. Se o LED não parar de piscar, reinicie o robô fora da estação de carregamento e tente de novo.
	Ligada	A máquina de cortar relva está no modo de funcionamento (a carregar, parada na estação de carregamento, pausada, a cortar relva ou a procurar)	
	Desligada	Máquina de cortar relva Stop com o botão de parar na máquina, chave de segurança na posição de desativado, máquina de cortar relva no estado de erro, ou máquina à espera do código PIN.	
2. Conectividade (azul)	Intermitente	A tentar ligar ao servidor de Internet	
	Ligado	Ligado ao servidor de Internet	
	Desligado	corta-relva não em "Modo Power On"	
3. Segurança (amarelo)	Intermitente	Autorização de código PIN necessária	...através do App móvel.
	Desligado	Nenhum pin exigido	Nenhuma ação necessária
4. Erro (vermelho)	Intermitente	Corta-relva parado com o erro	Verifique o motivo do erro e reinicie-o pressionando o botão Start no corta-relva.

QUEBRAS NO FIO DE DELIMITAÇÃO E FIO-GUIA

As quebras no fio de delimitação e fio-guia (se instalado) são geralmente o resultado de dano físico intencional.

Inspecione todo o fio de delimitação a partir da estação de carregamento e de volta.

Inspecione o fio-guia (se instalado) da estação de carregamento para a ligação no fio de delimitação.

Verifique se todos os acoplamentos foram devidamente espremidos para fazer ligações.

Dados Técnicos

	OPTIMOW 10	OPTIMOW 15
Dimensões:		
Altura	26 cm	26 cm
Comprimento:	62 cm	62 cm
Largura:	50 cm	50 cm
Peso	11 kg	11 kg
Sistema elétrico:		
Bateria, bateria de íões de lítio especial	24 V / 2,0 Ah, peça n ° 211022355 / T0100607-00	24 V / 2,0 Ah, peça n ° 211022355 / T0100607-005
Alimentação:	220-240 V/32 V DC	220-240 V/32 V DC
Comprimento do cabo de baixa tensão	10 m	10 m
Consumo médio de energia em uso máximo	8 kWh/mês para uma área de trabalho de 1 000 m ²	10 kWh/mês para uma área de trabalho de 1 500 m ²
Corrente de carga	1,3 A DC	1,3 A DC
Média de tempo de carregamento	140 minutos	70 minutos
Tempo médio de corte	70 minutos	70 minutos
Emissões de ruído: *)		
Nível de ruído de potência sonora medido **)	55 dB (A)	55 dB (A)
Nível de ruído de potência sonora garantido	57 dB (A)	57 dB (A)
Nível de ruído de pressão sonora ***)	44 dB (A)	44 dB (A)
Corta-relva:		
Sistema de corte	Três lâminas de corte rotativas	Três lâminas de corte rotativas
Consumo médio de energia durante o corte	25 W ± 20%	25 W ± 20%
Altura de corte	2-6 cm	2-6 cm
Largura de corte	22 cm	22 cm
Passagem o mais estreita possível	60 cm	60 cm
Inclinação máxima para a área de corte	35%	35%
Inclinação máxima para o fio limitador	15%	15%
Fio de delimitação de comprimento máximo	800 m	800 m
Capacidade de funcionamento****)	1,000 m ²	1,500 m ²
Capacidade de área recomendada	0 - 700 m ²	500 - 1,200 m ²
Classificação IP:		
Corta-relva	IPX5	IPX5
Estação de carregamento	IPX3	IPX3
Alimentação:	IP67	IP67

FOLHA DE DADOS DAS FREQUÊNCIAS DO RÁDIO

	LTE & GSM	Dispositivos de curto alcance (DCA) (fio delimitador)
Banda de frequência	LTE-FDD: B1/B2/B3/B4/B5/B8/B12/B13/B18/ B19/B20/B25/B26/B27/B28/B66/B71/B85 GSM: 850/900/1800/1900 MHz	0~148.5KHz
Potência máxima de saída (dBm)	LTE-FDD: 21 dBm +1.7/-3 dB GSM850/EGSM900: 33 dBm ±2 dB DCS1800/PCS1900: 30 dBm ±2 dB GSM850/EGSM900 (8-PSK): 27 dBm ±3 dB DCS1800/PCS1900 (8-PSK): 26 dBm ±3 dB	NA

*) As declarações de emissão de ruído estão em conformidade com a EN 50636-2-107

**) incertezas KWA, 2 dB (A)

***) incertezas KPA, 2 dB (A)

****) Declaração de capacidade de funcionamento em conformidade com a EGMF RLM004-1.0/2016.

Declaração de Conformidade CE



Nome e morada da Fabricante:

Fabricante: Globe Technologies Europe GmbH

Morada: Brunnenweg 17, 64331 Weiterstadt, Alemanha

Nome e morada da pessoa autorizada a compilar o ficheiro técnico:

Nome: Ralf Pankalla

Morada: Brunnenweg 17, 64331 Weiterstadt, Alemanha

Declaramos por este meio que o produto

Categoria:	Corta-relva robótico
Modelo:	Greenworks Optimow 10/ Greenworks Optimow 15
Número de série:	Consulte a etiqueta das especificações do produto
Nº de série	Consulte a etiqueta das especificações do produto

- Encontra-se em conformidade com as provisões relevantes da Diretiva Máquinas 2006/42/CE.
- Encontra-se em conformidade com as provisões das seguintes diretivas europeias:

• Diretiva de Compatibilidade Eletromagnética 2014/30/UE

• Diretiva do Equipamento de Rádio 2014/53/UE

• Diretiva de Baixa Voltagem 2014/35/UE

• Restrição do uso de determinados produtos perigosos

Substâncias elétricas e eletrónicas

Diretiva de Equipamentos (RoHS) 2011/65/UE e (UE) 2015/863

- Além disso, declaramos que as seguintes normas foram usadas:

• EN 60335-1, EN 50636-2-107, EN 60335-2-29,

• EN 62233, EN 55014-1, EN 55014-2, EN 61000-3-2,

• EN 61000-3-3, EN 61558-1, EN 61558-2-16, EN 62311,

• EN 303 447, EN 303 413, EN 301 511,

• EN 301 489-1, EN 301 489-19, Esboço ESTI EN 301 489-52,

• EN 62321-3-1, EN 62321-4, EN 62321-5, EN 62321-6,

• EN 62321-7-1, EN 62321-7-2, EN 62321-8

Ted Qu Haichao
Diretor de qualidade
Weiterstadt, 26.06.2021

Ted Qu

PT

De volgende bladzijden bevatten veiligheidsinstructies en informatie over reparatie en onderhoud. Zie voor het gebruik de beknopte handleiding die met deze machine wordt meegeleverd.

Lees en begrijp alle veiligheidsinstructies, waarschuwingen en opmerkingen die in deze handleiding en de beknopte handleiding zijn vermeld.

Het niet lezen en volgen van deze instructies, waarschuwingen en opmerkingen kunnen leiden tot ernstig letsel of de dood van personen of huisdieren en schade aan persoonlijke eigendommen.

De volledige gebruiksaanwijzing is beschikbaar op

Website: <https://url.globetools.systems/ukAkz>

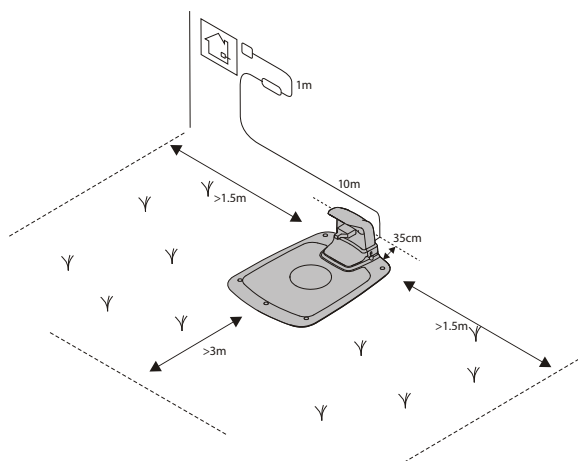
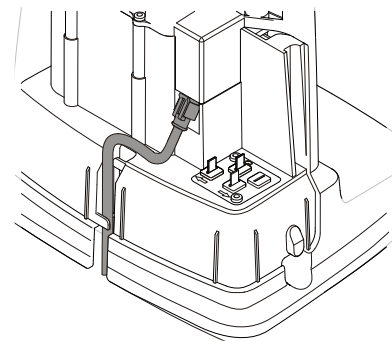
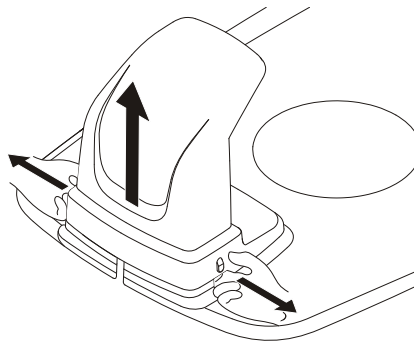
QR code:



Inhoud

Installatie.....	57
Op de stroomvoorziening aansluiten.....	57
De begrenzingsdraad installeren.....	57
Productveiligheid.....	58
Verklaring van de symbolen op de grasmaaier.....	58
De gebruikershandleiding lezen.....	58
Operationele veiligheid.....	60
Milieubescherming.....	61
Probleemoplossing.....	62
Led-controlelampjes op de grasmaaier.....	62
Breuk in de begrenzingsdraad en begeleidingsdraad.....	62
Technische gegevens.....	63
EU-conformiteitsverklaring.....	64

Het materiaal, de technische gegevens en de afbeeldingen die in deze handleiding zijn vermeld dienen louter ter referentie en zijn niet bindend. De fabrikant behoudt zich het recht voor om zonder voorafgaande kennisgeving wijzigingen te maken aan de technische kenmerken, de bediening, het materiaal, de technische gegevens of de afbeeldingen.



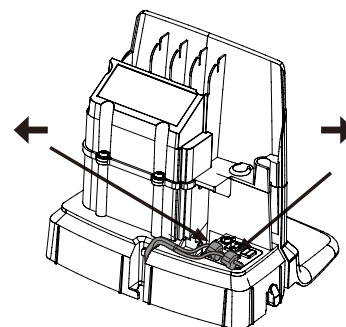
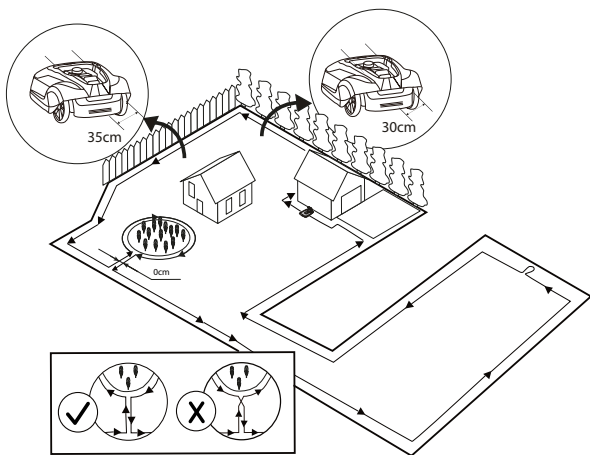
OP DE STROOMVOORZIENING AANSLUITEN

Steek de stekker in een stopcontact dat zich in een koele en droge omgeving en buiten het bereik van direct zonlicht bevindt.

Als de stekker in een buitenstopcontact wordt gestoken, zorg dat het voor gebruik buitenshuis goedgekeurd is.

De laagspanningskabel kan het maaigebied doorkruisen als het met haken in grond is vastgezet of in de grond wordt gestopt.

OPGELET: Zorg dat de laagspanningskabel niet wordt doorgeknipt, verbonden of aangepast. Het aanpassen van de laagspanningskabel maakt de productgarantie ongeldig.



DE BEGRENZINGSDRAAD INSTALLEREN

Zet de haspel met lusdraad bij het laadstation neer.

Ga opnieuw rond de begrenzing van het maaigebied en zet de begrenzingsdraad vast met behulp van de haringen of stop het in de grond. Het gebruik van haringen wordt aanbevolen, aangezien deze tijdens de eerste weken van gebruik van de grasmaaier kunnen worden aangepast.

Wanneer de begrenzingsdraad met haringen wordt vastgezet:

- Maai het gras in het gebied waar de draad gelegd zal worden zeer kort met een gewone grasmaaier of trimmer.
- Leg de begrenzingsdraad op de grond en zet vast met de haringen die dicht tegen elkaar staan.
- Duw of sla de haringen met een hamer in de grond.

Duw de haringen niet te diep in de grond om overspanning op de begrenzingsdraad te vermijden.

Wanneer de begrenzingsdraad in de grond wordt gestopt:

- Stop de begrenzingsdraad 1—20 cm in de grond.

Raadpleeg de volledige handleiding online voor de installatie van de geleidingsdraad.



Naast deze gebruikershandleiding is er tevens meer informatie te vinden op onze website: www.greenworkstools.eu

VERKLARING VAN DE SYMBOLEN OP DE GRASMAAIER



Dit is gevaarlijk elektrisch gereedschap. Wees voorzichtig wanneer u het gebruikt en volg alle veiligheidsinstructies en waarschuwingen.

Lees deze gebruikershandleiding zorgvuldig door voordat u de grasmaaier in gebruik neemt.



Verwijder de veiligheidssleutel voordat u werkzaamheden op de grasmaaier uitvoert of deze optilt.



Gevaar op wegslingerende voorwerpen tijdens de werking.

Behoud een veilige afstand tot de grasmaaier wanneer in werking en houd personen, in het bijzonder kinderen, en huisdieren uit het te maaien gebied.



Zit niet op de grasmaaier wanneer in werking.



Klasse III apparaat

DE GEBRUIKERSHANDLEIDING LEZEN

De volgende symbolen zijn belangrijk voor het lezen en begrijpen van de gebruiksinstructies.



Draag veiligheidshandschoenen

Het volgend systeem wordt in deze gebruikershandleiding gebruikt om het eenvoudiger te begrijpen:

- **WAARSCHUWING!** Een "Waarschuwing" licht de gebruiker in over de aanwezigheid en aard van mogelijke gevaren zodat lichamelijk letsel kan worden vermeden door het product op een juiste manier te gebruiken
- **OPGELET:** Een "Opgelet" licht de gebruiker in over de aanwezigheid en aard van productrisico's zodat schade aan het product kan worden vermeden door het product op een juiste manier te gebruiken.
- **OPMERKING:** Een "Opmerking" licht de gebruiker in over extra informatie over het gebruiken van het product.
- Tekst in **vet cursief** verwijst naar een andere sectie in de gebruikershandleiding.
- Tekst in **vet** verwijst naar de instellingen op de grasmaaier.

Productveiligheid

BELANGRIJK

LEES GRONDIG VOOR GEBRUIK! BEWAAR VOOR LATERE RAADPLEGING!

Opleiding

WAARSCHUWING! Automatische grasmaaier! Houd altijd toezicht op kinderen!

- Lees de instructies goed door. Maak uzelf vertrouwd met de bedieningsknoppen en het juiste gebruik van de machine.
- Kinderen of personen die de instructies niet kennen mogen dit apparaat niet gebruiken. De lokale wetgeving kan een minimum leeftijd voor de gebruiker opleggen.
- De bediener of gebruiker is verantwoordelijk voor ongevallen of gevaren die zich bij ander personen of hun eigendommen voordoen.

Vorbereiding

- Zorg voor de juiste installatie van de begrenzings- en begeleidingsdraden zoals voorgeschreven.
- Controleer het gebied waar de machine wordt gebruikt regelmatig en verwijder alle stenen, stokken, draden, botten en andere vreemde voorwerpen.
- Controleer de messen, de mesbouten en het snijmechanisme regelmatig op slijtage of schade. Vervang versleten of beschadigde messen en bouten om het evenwicht te behouden.

Werking

- Gebruik de machine nooit met een defect scherm, of zonder gemonteerd veiligheidsmechanisme, zoals bijv. de behuizing.
- Plaats uw handen of voeten niet in de buurt van of onder de draaiende onderdelen.
- Hef de machine nooit op of draag ze niet als de motor in werking is.
- Verwijder (of bedien) het uitschakelingsmechanisme van de machine
 - voor het verwijderen van een verstopping;;
 - voor het controleren, reinigen of onderhouden van de machine.
- Laat de machine niet zonder toezicht achter wanneer er huisdieren, kinderen of andere personen in de buurt aanwezig zijn.

Onderhoud en opslag

- Zorg dat alle moeren, bouten en schroeven altijd stevig vastgedraaid zijn om een veilige werking van de machine te waarborgen.
- Uit veiligheidsoverwegingen, vervang versleten en beschadigde onderdelen.
- Vervang de messen alleen door messen van het juiste type.
- Laad de accu alleen op met de lader die door de fabrikant is aanbevolen. Een verkeerd gebruik kan leiden tot een elektrische schok, oververhitting of het lekken van accuvloeistof.
- In geval van lekkage van het elektrolyt, spoel overvloedig met water/ neutraliserend middel en raadpleeg een arts als het met de ogen in contact komt.
- Het onderhoud van de machine moet worden uitgevoerd volgens de instructies van de fabrikant.

WAARSCHUWING! Voor het opladen van de batterij mag alleen een verwijderbare eenheid worden gebruikt die met dit apparaat wordt geleverd.

Werking

DE GRASMAAIER STARTEN EN STOPPEN

De grasmaaier starten:

- 1 Breng de veiligheidssleutel aan en draai het met de klok mee naar stand "1".
- 2 Schuif het luikje van de **START** knop naar achteren.
- 3 Druk de **START** knop in.

De grasmaaier stoppen:

Druk op de **STOP** knop op de grasmaaier.

DE GRASMAAIER UITSCHAKELEN

Druk op de **STOP** knop op de grasmaaier en verwijder de veiligheidssleutel.

WAARSCHUWING! Verwijder altijd de veiligheidssleutel voordat u onderhoud uitvoert of de grasmaaier naar een andere omgeving brengt.

Productveiligheid

OPERATIONELE VEILIGHEID

Deze gebruikershandleiding bevat alle basisinformatie voor een veilige werking en onderhoud van de grasmaaier.



Lees alle veiligheidsvoorschriften en instructies in deze gebruikershandleiding door voordat u de grasmaaier gebruikt. Bewaar deze gebruikershandleiding voor latere raadpleging. Volg de instructies van de fabrikant voor een juiste installatie, werking, onderhoud en reparatie van de machine.

Deze grasmaaier is bestemd voor het maaien van gras in een open en vlak gebied. Gebruik alleen uitrusting die door de fabrikant is aanbevolen. De machine is niet bestemd voor andere doeleinden.



Deze grasmaaier is in overeenstemming met de EU-veiligheidsnormen en -richtlijnen inzake elektromagnetische compatibiliteit, machines en laagspanning.



De grasmaaier is niet bestemd voor gebruikers (waaronder kinderen) met beperkte fysieke, visuele of mentale mogelijkheden, of die een gebrek hebben aan ervaring en kennis, tenzij ze onder toezicht staan of instructies hebben gekregen omtrent het gebruik van het apparaat door een persoon die verantwoordelijk is voor hun veiligheid.

Houd toezicht over kinderen zodat ze niet met het apparaat spelen.

De grasmaaier mag alleen worden bediend, onderhouden en gerepareerd door personen die volledig op de hoogte zijn van de specifieke kenmerken van deze machine en de relevante veiligheidsvoorschriften.

Start de grasmaaier in overeenstemming met de instructies. Als de veiligheidssleutel in de stand Ingeschakeld is ingesteld, houd uw handen en voeten uit de buurt van de draaiende messen.

Plaats uw handen en voeten nooit onder de grasmaaier.

Wijzig nooit het origineel ontwerp van de grasmaaier. Elke aanpassing maakt de garantie ongeldig.

Schakel de grasmaaier uit met de STOP knop op de grasmaaier wanneer er zich personen, in het bijzonder kinderen, of huisdieren in het maaigebied bevinden. Het wordt aanbevolen om de grasmaaier zo te programmeren dat het alleen werkt tijdens de uren wanneer het gebied vrij van personen en huisdieren is.

Verwijder eventuele voorwerpen uit het maaigebied, zoals takken, speelgoed, stenen, gereedschap om schade aan de messen te vermijden. De grasmaaier kan op een voorwerp in het maaigebied vast komen te zitten en hulp om het voorwerp te verwijderen kan nodig zijn alvorens de grasmaaier zijn werking kan hervatten.

Draag of til de grasmaaier nooit op wanneer de veiligheidssleutel is ingebracht.

Schakel de grasmaaier altijd uit met de STOP knop wanneer de grasmaaier niet wordt gebruikt. De grasmaaier kan alleen worden gestart wanneer de veiligheidssleutel is aangebracht en de START knop is ingedrukt.

Het geïntegreerde alarm is zeer luid. Wees voorzichtig, in het bijzonder wanneer de grasmaaier naar binnen wordt gebracht.

Gebruik de grasmaaier niet met een defecte messenschijf of behuizing.

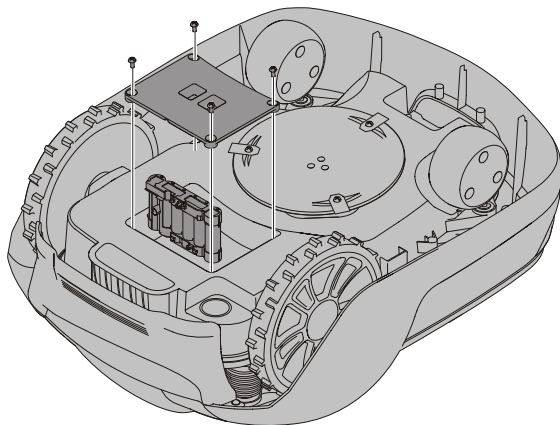
Personen die niet op de hoogte zijn van hoe de grasmaaier te bedienen mogen het niet gebruiken.

Plaats geen voorwerpen op de grasmaaier of het laadstation.



Draag altijd veiligheidshandschoenen wanneer u werkzaamheden op de messen uitvoert.

De accu vervangen



WAARSCHUWING! In geval van lekkage van het elektrolyt, spoel overvloedig met water/ neutraliserend middel en raadpleeg een arts als het met de ogen in contact komt.

Laad de accu alleen op met het originele laadstation. Een verkeerd gebruik kan leiden tot een elektrische schok, oververhitting of het lekken van accuvloeistof.

De accu is onderhoudsvrij, maar heeft een beperkte levensduur van 2 tot 4 jaar, afhankelijk van de lengte van het seizoen en het aantal uur de grasmaaier per dag wordt gebruikt.

WAARSCHUWING! Druk op de STOP knop en verwijder de veiligheidssleutel voordat de accu wordt vervangen en draag veiligheidshandschoenen.

OPGELET: Gebruik alleen originele reserveonderdelen.

Draai de grasmaaier ondersteboven, verwijder de vier Torx T20-schroeven en haal het accudeksel af.

Ontkoppel de aansluitklemmen van de accu.

Til de accu uit de grasmaaier.

Breng een nieuwe accu aan in sleuf 1 (de achterste sleuf).

Maak de aansluitklemmen vast aan de nieuwe accu.

Breng het batterijdeksel opnieuw juist aan en maak het vast met de vier Torx T20-schroeven.

Breng de veiligheidssleutel in de onderkant van de grasmaaier aan en draai deze naar de stand Inschakelen. Plaats de maaier in het laadstation om de accu in te schakelen en op te laden.

NL

Milieubescherming



Elektrische en elektronische apparaten, in overeenstemming met de Europese wet 2012/19/EU, en defecte of verbruikte accu's/ batterijen, in overeenstemming met 2006/66/EC, moeten afzonderlijk worden ingezameld en op een milieuvriendelijke manier afgedankt worden.

Het symbool vermeld op de grasmaaier of de verpakking geeft aan dat het product niet samen met het huisvuil mag worden weggegooid. Breng het naar een gepast inzamelpunt waar de elektronische onderdelen en de accu kunnen worden gerecycled.

De accu bevindt zich in het chassis aan de onderkant van de grasmaaier.

Een juiste verwijdering van dit product vermijdt een mogelijke negatieve impact op het milieu en de menselijke gezondheid.

Voor meer informatie over het recyclen van dit product, neem contact op met uw gemeente, uw inzamelpunt of de winkel waar u het product hebt gekocht.



Batteries



Li-ion

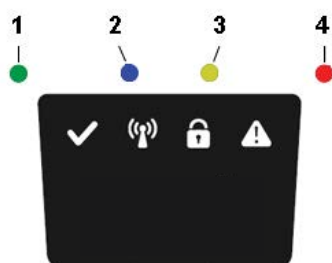
Afzonderlijke afhandeling van gebruikte producten en verpakkingsmateriaal zorgt ervoor dat materiaal kan worden gerecycled en hergebruikt. Het hergebruik van gerecyclede materialen helpt milieuvervuiling te voorkomen en vermindert de vraag naar grondstoffen.

Aan het einde van hun gebruiksleven gooit u de batterijen op een milieuvriendelijke manier weg. De batterij bevat materiaal dat gevaarlijk is voor mens en milieu. Hij moet afzonderlijk worden verwijderd en afgevoerd naar een eenheid die lithiumionbatterijen aanvaardt.

Probleemoplossing

Deze sectie biedt enkele oplossingen die u kunnen helpen wanneer de grasmaaier niet werkt zoals het hoort.

LED-CONTROLELAMPJES OP DE GRASMAAIER



LED	STATUS	BETEKENIS	HANDELING
1. In gebruik (groen)	Knipperend	Herstelmodus	Plaats de robot gedurende max. 5 uur in het laadstation en wacht totdat de groene led stopt met knipperen. Als de led niet stopt met knipperen, dient u de robot buiten de CS opnieuw te starten en vervolgens nogmaals te proberen.
	Aan	De grasmaaier bevindt zich in de gebruiksmodus (laden, geparkeerd in de oplader, pauze, gras maaien of zoeken)	
	Uit	De grasmaaier is gestopt met de Stop knop op de grasmaaier, de veiligheidsleutel is in de uitgeschakelde positie, de grasmaaier bevindt zich in de foutmodus of de grasmaaier wacht op een pin.	
2. Connectiviteit (Blauw)	Knippert	Bezig met het verbinden met de internetserver	
	Aan	Verbonden met de internetserver	
	Uit	Grasmaaier niet in de "Inschakelingsmodus"	
3. Veiligheid (Geel)	Knippert	Verificatie van pincode is nodig	... via Mobiele app
	Uit	Geen pin nodig	Geen handeling vereist
4. Fout (Rood)	Knippert	Motor gestopt met fout	Controleer de reden voor de fout en start opnieuw door op de Start knop op de grasmaaier te drukken.

BREUK IN DE BEGRENZINGSDRAAD EN BEGELEIDINGSDRAAD

Een breuk in de begrenzingsdraad en begeleidingsdraad (wanneer geïnstalleerd) zijn over het algemeen het gevolg van onopzettelijke fysieke schade.

Controleer de volledige begrenzingsdraad vanaf het laadstation en terug.

Controleer de begeleidingsdraad (wanneer geïnstalleerd) vanaf het laadstation tot aan het verbindingstuk in de begrenzingsdraad.

Controleer of de koppelingen stevig zijn samengedrukt om de verbindingen te maken.

Technische gegevens

	OPTIMOW 10	OPTIMOW 15
Afmetingen:		
Hoogte	26 cm	26 cm
Lengte	62 cm	62 cm
Breedte	50 cm	50 cm
Gewicht	11 kg	11 kg
Elektrisch systeem:		
Accu, Speciale lithium-ion accu	24 V / 2,0 Ah, Onderdeelnr. 211022355 / T0100607-00	24 V / 2,0 Ah, Onderdeelnr. 211022355 / T0100607-00
Voeding	220-240 V/32 V DC	220-240 V/32 V DC
Lengte van laagspanningskabel	10 m	10 m
Gemiddelde energieverbruik bij maximum gebruik	8 kWh/maand voor een maaigebied van 1000 m ²	10 kWh/maand voor een maaigebied van 1.500 m ²
Laadstroom	1.3 A DC	1.3 A DC
Gemiddelde laadtijd	140 minuten	70 minuten
Geschatte maaitijd	70 minuten	70 minuten
Geluidsemissies: *)		
Gemeten geluidsvermogensniveau **)	55 dB (A)	55 dB (A)
Gewaarborgd geluidsvermogensniveau	57 dB (A)	57 dB (A)
Geluidsdrumniveau ***)	44 dB (A)	44 dB (A)
Maaien:		
Maaisysteem	Drie draaiende messen	Drie draaiende messen
Gemiddeld stroomverbruik tijdens het maaien	25 W ± 20%	25 W ± 20%
Maaihoogte	2-6 cm	2-6 cm
Maai breedte	22 cm	22 cm
Meest nauwe doorgang	60 cm	60 cm
Maximale helling voor maaigebied	35%	35%
Maximale helling voor begrenzingsdraad	15%	15%
Maximum lengte voor begrenzingsdraad	800 m	800 m
Snijcapaciteit****)	1,000 m ²	1,500 m ²
Aanbevolen maaigebied	0 - 700 m ²	500 - 1,200 m ²
IP-classificatie:		
Grasmaaier	IPX5	IPX5
Laadstation	IPX3	IPX3
Voeding	IP67	IP67

NL

RADIOFREQUENTIE GEGEVENSBLAD

	LTE & GSM	Korteafstandsapparatuur (SRD) (begrenzingsdraad)
Frequentieband	LTE-FDD: B1/B2/B3/B4/B5/B8/B12/B13/B18/ B19/B20/B25/B26/B27/B28/B66/B71/B85 GSM: 850/900/1800/1900 MHz	0~148.5KHz
Maximaal uitgangsvermogen (dBm)	LTE-FDD: 21 dBm +1.7/-3 dB GSM850/EGSM900: 33 dBm ±2 dB DCS1800/PCS1900: 30 dBm ±2 dB GSM850/EGSM900 (8-PSK): 27 dBm ±3 dB DCS1800/PCS1900 (8-PSK): 26 dBm ±3 dB	NA

*) De verklaringen van de geluidsemissies zijn in overeenstemming met DIN EN 50636-2-107

**) onzekerheden KWA, 2 dB (A)

***) onzekerheden KPA, 2 dB (A)

****) De verklaring van de snijcapaciteit komt overeen met EGMF RLM004-1.0/2016.

EU-conformiteitsverklaring



Naam en adres van de fabrikant:

Fabrikant: Globe Technologies Europe GmbH

Adres: Brunnenweg 17, 64331 Weiterstadt, Duitsland

Naam en adres van de person die verantwoordelijk is voor de opmaak van de technische fiche:

Naam: Ralf Pankalla

Adres: Brunnenweg 17, 64331 Weiterstadt, Duitsland

Wij verklaren hierbij dat het product:

Categorie:	Robotmaaier
Model:	Greenworks Optimow 10/ Greenworks Optimow 15
Serienummer:	Zie typeplaatje van product.
Serienr.	Zie typeplaatje van product.

- Is in overeenstemming is met de relevante bepalingen inzake de machinerichtlijn 2006/42/EC
- Is in overeenstemming is met de bepalingen van de volgende richtlijnen:

- Richtlijn inzake elektromagnetische compatibiliteit 2014/30/EU
- Richtlijn inzake radioapparatuur 2014/53/EU
- Richtlijn inzake laagspanning 2014/35/EU
- Richtlijn inzake de beperking op het gebruik van bepaalde gevaarlijke stoffen in elektrische en elektronische apparatuur (RoHS) 2011/65/EU & (EU) 2015/863

- Wij verklaren tevens dat de volgende normen werden gebruikt:

- EN 60335-1, EN 50636-2-107, EN 60335-2-29,
- EN 62233, EN 55014-1, EN 55014-2, EN 61000-3-2,
- EN 61000-3-3, EN 61558-1, EN 61558-2-16, EN 62311,
- EN 303 447, EN 303 413, EN 301 511,
- EN 301 489-1, EN 301 489-19, Draft ESTI EN 301 489-52,
- EN 62321-3-1, EN 62321-4, EN 62321-5, EN 62321-6,
- EN 62321-7-1, EN 62321-7-2, EN 62321-8

Ted Qu Haichao
Kwaliteitsdirecteur

Weiterstadt, 26.06.2021

Ted Qu

На последующих страницах содержатся инструкции по ТБ, сервисному и техническому обслуживанию устройства. Для эксплуатации устройства обратитесь к комплектному руководству.

Изучите все инструкции по ТБ, предупреждения и предостережения, содержащиеся в настоящем руководстве и кратком руководстве.

Несоблюдение данных инструкций, предупреждений и предостережений может привести к серьезным травмам или смерти людей и домашних животных либо к повреждению личного имущества.

Полное руководство пользователя доступно на веб-сайте: <https://url.globetools.systems/ERsVL>

QR-код:

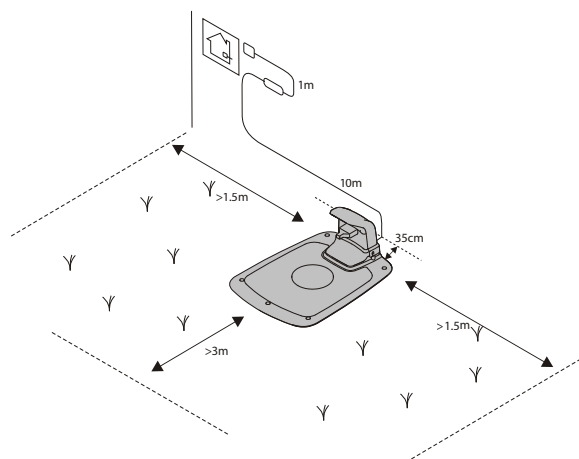
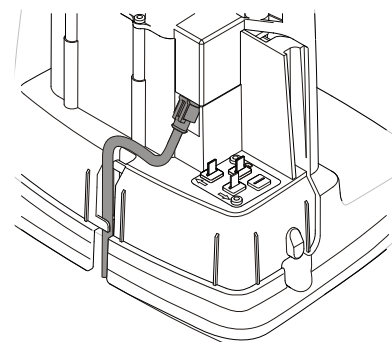
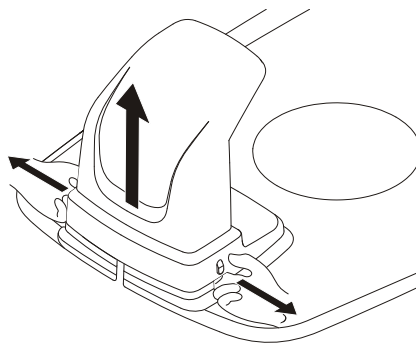


RU

Содержание

Монтаж.....	66
Подключение адаптера	66
Установка пограничного провода	66
Безопасность продукта.....	67
Объяснение символов на газонокосилке	67
Чтение руководства оператора.....	67
Эксплуатационная безопасность	69
Защита окружающей среды	70
Выявление и устранение неисправностей	71
Индикаторный светодиод на газонокосилке.....	71
Разрыв пограничного или направляющего проводов.....	71
Технические данные	72
Декларация соответствия ЕС	73

Материалы, технические данные и рисунки приведены в настоящем руководстве только для ознакомления и не являются обязательными. Производитель оставляет за собой право без предварительного предупреждения вносить любые изменения в технические и эксплуатационные характеристики, материалы, технические данные или иллюстрации.



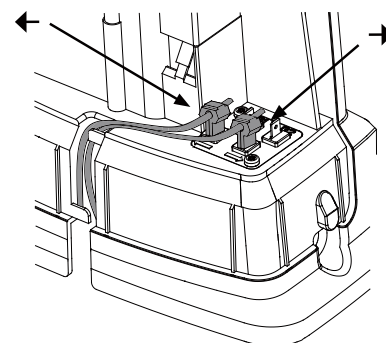
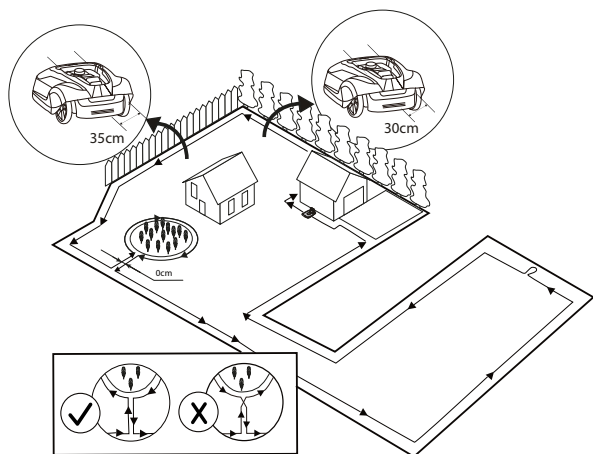
ПОДКЛЮЧЕНИЕ АДАПТЕРА

Разместите адаптер в прохладном, сухом и закрытом от прямых солнечных лучей месте.

Подключать к сетевой розетке на открытом воздухе разрешается только одобренный для этого адаптер.

Низковольтный кабель может пересекать рабочую зону машины, если проходит под землей или прикреплен к земле скобами.

ОСТОРОЖНО! Запрещается резать, соединять внахлест и модифицировать низковольтный кабель. При модификации низковольтного кабеля гарантия аннулируется.



УСТАНОВКА ПОГРАНИЧНОГО ПРОВОДА

Разместите бухту провода у зарядной станции.

Двигаясь назад вдоль границы рабочей области газонокосилки прижмите пограничный провод к земле колышками или заложите его в землю. В течение первых нескольких недель рекомендуется использовать колышки, обеспечивающие простоту изменения границы рабочей области газонокосилки.

Крепление пограничного провода колышками:

- Низко скосите траву в области прокладки провода обычной газонокосилкой или триммером.
- Поместите пограничный провод на землю и прикрепите его к земле колышками с небольшим шагом.
- Колышки загоняют или забивают в землю.

Забивайте колышки так, чтобы не допустить перенапряжения пограничного провода.

Закладка пограничного провода в землю:

- Провод закладывается в землю на 1–20 см.

Процедура установки направляющего провода приводится в полной онлайн-версии руководства.



Безопасность продукта

Дополнительную информацию к настоящему руководству можно найти на веб-сайте: www.greenworkstools.eu

ОБЪЯСНЕНИЕ СИМВОЛОВ НА ГАЗОНОКОСИЛКЕ



Это опасный электроприбор. При работе с машиной необходимо быть осторожным и соблюдать все указания по ТБ и предупреждения.

Перед эксплуатацией газонокосилки внимательно прочтите инструкцию по ее эксплуатации.



Прежде чем приступить к работе или поднять газонокосилку, снимите ключ безопасности.



Опасность выброса предметов во время эксплуатации.

Во время работы держитесь от газонокосилки на безопасном расстоянии и не подпускайте к рабочему участку посторонних лиц, особенно детей и питомцев.



Запрещается ездить на газонокосилке.



Прибор класса III

ЧТЕНИЕ РУКОВОДСТВА ОПЕРАТОРА

Для чтения и понимания инструкций важно освоить следующие символы.



Надевайте защитные перчатки

Для упрощения понимания в руководстве оператора используется следующая система:

- **ВНИМАНИЕ!** Предупреждения служат для информирования пользователей и потребителей о существовании и характере опасностей, чтобы предотвратить травматизм путем принятия надлежащих мер во время эксплуатации продукта.
- **ОСТОРОЖНО!** Предостережения служат для информирования пользователей и потребителей о существовании и характере рисков, чтобы предотвратить повреждение продукта путем принятия надлежащих мер во время эксплуатации продукта.
- **ПРИМЕЧАНИЕ:** Примечания служат в качестве дополнительной информации по использованию продукта для пользователя или потребителя.
- Текст, написанный *полужирным курсивом*, относится к другому разделу руководства оператора.
- Текст, написанный *жирным* шрифтом, относится к установкам газонокосилки.

Безопасность продукта

ВАЖНО

ИЗУЧИТЕ ПЕРЕД ИСПОЛЬЗОВАНИЕМ! СОХРАНИТЕ ДЛЯ ИСПОЛЬЗОВАНИЯ В БУДУЩЕМ!

ВНИМАНИЕ! Автоматическая газонокосилка! Не подходите к машине! Присматривайте за детьми!

- Внимательно ознакомьтесь с инструкциями. Ознакомьтесь с органами управления и правилами эксплуатации машины.
- Не разрешайте эксплуатировать машину детям или лицам, не ознакомившимся с данными инструкциями. Возраст оператора может ограничиваться местными нормами.
- Оператор или пользователь ответственны за происшествия или опасность для других лиц либо их собственности.

Подготовка

- Убедитесь, что установка ограничительных и направляющих проводов произведена в соответствии с инструкциями.
- Периодически осматривайте обрабатываемый машиной участок и удаляйте с него все посторонние предметы, которые могут попасть в машину.
- Необходимо периодически осматривать ножи, болты крепления ножей и режущий аппарат на предмет износа и повреждений. Для сбалансированности машины необходимо менять поврежденные или изношенные ножи и крепежные болты в комплекте.

Общие сведения

- Запрещается эксплуатировать машину с дефектными защитными кожухами или без них, например, без основного кожуха.
- Запрещается приближаться или прикасаться к вращающимся частям машины.
- Запрещается поднимать или нести машину при работающем двигателе.
- Снимите (или приведите в действие) устройство отключения на машине, прежде чем
 - удалить засор;
 - проверить, очистить или работать на машине.
- Запрещается оставлять работающую машину без присмотра, если известно, что в рабочей зоне находятся дети, питомцы и посторонние лица.

Техобслуживание и хранение

- Поддерживайте гайки, болты и винты в безопасном рабочем состоянии.
- Для обеспечения безопасности замените изношенные или поврежденные компоненты.
- Удостоверьтесь, что для режущих элементов используются запчасти только утвержденного типа.
- Убедитесь, что АКБ заряжаются с помощью зарядных устройств, рекомендованных производителем. Неправильное использование может привести к поражению электротоком, перегреву или выходу электролита из аккумулятора.
- В случае попадания пролившегося электролита в глаза промойте их водой/нейтрализующим средством и обратитесь за медицинской помощью.
- Обслуживание машины должно выполняться в соответствии с инструкциями изготовителя.

ВНИМАНИЕ! Для подзарядки аккумулятора используйте только комплектное разъемное зарядное устройство.

ВНИМАНИЕ! В состав данного устройства входят аккумуляторы, которые могут быть заменены только специалистом.

Эксплуатация

ЗАПУСК И ВЫКЛЮЧЕНИЕ ГАЗОНОКОСИЛКИ

Запуск газонокосилки:

- 1 Вставьте ключ безопасности и поверните против часовой стрелки в положение «1».
- 2 Переместите предохранитель кнопки **START** назад.
- 3 Нажмите на кнопку **START**.

Выключение газонокосилки:

Нажмите кнопку **STOP** на газонокосилке.

Нажмите кнопку **STOP** на газонокосилке и выньте ключ безопасности.

ВНИМАНИЕ! Всегда вынимайте ключ безопасности перед выполнением техобслуживания или переноской косилки.

Безопасность продукта

ЭКСПЛУАТАЦИОННАЯ БЕЗОПАСНОСТЬ

В настоящем руководстве оператора содержится вся основная информация об эксплуатационной безопасности и обслуживании газонокосилки.



Перед началом эксплуатации газонокосилки внимательно изучите все инструкции по ТБ и эксплуатации из данного руководства. Сохраните это руководство оператора для использования в будущем. Соблюдайте инструкции производителя по установке, эксплуатации, обслуживанию и ремонту.

Данная газонокосилка предназначена для кошения травы на открытых и ровных участках. Используйте только рекомендованное производителем оборудование. Использование не по назначению запрещено.



Данная газонокосилка соответствует требованиям стандартов безопасности CE и директивам электромагнитной совместимости, машинного и низковольтного оборудования.



Газонокосилка не должна использоваться лицами, включая детей, с ограниченными физическими, сенсорными или умственными способностями, или отсутствием соответствующего опыта и знаний без присмотра или инструктажа лица, ответственного за их безопасность.

Необходимо присматривать за детьми, чтобы они не играли с прибором.

К эксплуатации, техобслуживанию и ремонту газонокосилки допускаются только лица, которым известны ее характеристики и правила ТБ.

Запустите газонокосилку согласно инструкциям. Не подносите свои конечности к вращающимся ножам газонокосилки, когда ключ безопасности в положении Включено.

Запрещается помещать свои конечности под газонокосилку.

Запрещается модифицировать газонокосилку. Любая модификация приводит к аннулированию гарантии.

При появлении в зоне работы газонокосилки посторонних лиц, особенно детей или домашних животных отключите газонокосилку с помощью расположенной на ней кнопки STOP. Рекомендуется программировать машину на работу в часы, когда на участке нет людей или домашних животных.

Уберите с участка посторонние предметы, например, ветки, игрушки, камни, инструмент, которые могут вывести ножи из строя. Если газонокосилка уперлась в посторонний предмет, находящийся на рабочем участке, может потребоваться освободить ее, чтобы она смогла продолжить работу.

Запрещается поднимать и переносить газонокосилку с вставленным ключом безопасности.

Если машина не используется, ее необходимо выключить с помощью кнопки STOP. Газонокосилка запустится только после установки ключа безопасности и нажатия кнопки START.

Встроенная звуковая сигнализация очень громкая. Будьте осторожны при работе с газонокосилкой внутри помещений.

Запрещается эксплуатировать газонокосилку с поврежденным дисковым ножом или корпусом.

Не разрешайте людям, не знакомым с правилами по эксплуатации газонокосилки, работать с ней.

Запрещается класть на газонокосилку или зарядную станцию посторонние предметы.



При работе с лезвиями газонокосилки надевайте защитные перчатки.

Замена Акб

ВНИМАНИЕ! В случае попадания пролившегося электролита в глаза промойте их водой/нейтрализующим средством и обратитесь за медицинской помощью.

Разрешается заряжать АКБ только в оригинальной зарядной станции. Неправильное использование может привести к поражению электротоком, перегреву или выходу электролита из аккумулятора.

АКБ не требует технического обслуживания, но имеет ограниченный срок службы от 2 до 4 лет в зависимости от продолжительности сезона и количества рабочих часов в день.

ВНИМАНИЕ! Перед заменой АКБ нажмите кнопку STOP, выньте ключ безопасности и наденьте защитные перчатки.

ОСТОРОЖНО! Пользуйтесь только оригинальными запчастями.

Поверните газонокосилку вверх дном и, вынув четыре винта Torx T20, снимите крышку батарейного отсека.

Отсоедините клемму аккумулятора.

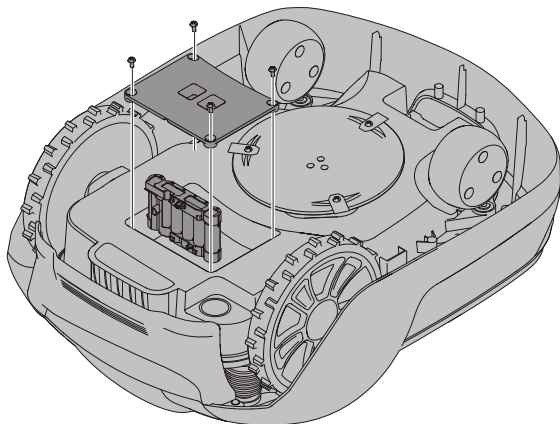
Движением вверх выньте АКБ.

Вставьте новую АКБ в гнездо 1 (задний разъем).

Подсоедините клемму к новой АКБ.

Верните крышку батарейного отсека на место, вставьте и затяните четыре винта Torx T20.

Поместите ключ безопасности в нижнюю часть косилки и поверните его на включение. Поместите косилку в зарядную станцию для включения и зарядки аккумулятора.



RU

Защита окружающей среды



Согласно европейским законам 2012/19/EU и EC 2006/66/EC вышедшее из строя и дефектное электрическое и электронное оборудование, а также АКБ/аккумуляторы должны утилизироваться отдельно и согласно установленным экологическим нормам.

Значок на газонокосилке или упаковке указывает на то, что газонокосилку нельзя утилизировать совместно с ТБО. Для утилизации машины необходимо обратиться в соответствующему переработчику электронного оборудования и АКБ.

Аккумуляторы располагаются под корпусом на шасси машины.

Обеспечение правильного обращения с данным продуктом позволяет устранить потенциально опасное воздействие его отходов на окружающую среду и людей.

Для получения более подробной информации об утилизации данного продукта обратитесь в муниципалитет, коммунальную службу или продавцу.



Отдельная утилизация б/у машины и упаковки позволяет перерабатывать материалы и использовать их повторно. Использование переработанных материалов позволяет предотвратить загрязнение окружающей среды и снизить требования к сырью.

Batteries



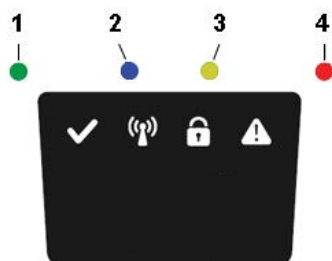
Li-ion

Отработавшие аккумуляторы необходимо утилизировать с учетом требований защиты окружающей среды. В аккумуляторах содержится материал, опасный для человека и окружающей среды. Необходимо вынуть и утилизировать данный материал, поместив его в оборудование для переработки литий-ионных аккумуляторов.

Выявление и устранение неисправностей

В настоящем разделе также приведены некоторые признаки, позволяющие выявить неисправности в работе газонокосилки.

ИНДИКАТОРНЫЙ СВЕТОДИОД НА ГАЗОНОКОСИЛКЕ



СВЕТОДИОД	СОСТОЯНИЕ	ЗНАЧЕНИЕ	ДЕЙСТВИЕ
1. Работает (зеленый)	Мигает	Режим восстановления	Поместите робота на зарядную станцию на срок до 5 часов и подождите, пока зеленый светодиод перестанет мигать. Если светодиод не перестает мигать, перезапустите робота вне зарядной станции и повторите попытку.
	Горит	Газонокосилка в рабочем режиме (зарядка, парковка на зарядной станции, приостановка, стрижка травы или поиск)	
	Не горит	Газонокосилка выключена кнопкой Stop на корпусе, ключ безопасности в положении отключения; ошибка газонокосилки или она ожидает ввода PIN-кода.	
2. Подключение (синий)	Мигает	Попытка подключения к серверу в сети Интернет	
	Горит	Подключено к серверу в сети Интернет	
	Не горит	Газонокосилка не в «Режиме включения»	
3. Безопасность (желтый)	Мигает	Требуется PIN для авторизации	... через мобильное приложение.
	Не горит	Pin не требуется	Действий не требуется
4. Ошибка (красный)	Мигает	Газонокосилка отключена с ошибкой	Проверьте причину возникновения ошибки и перезапустите газонокосилку, нажав кнопку Start на газонокосилке.

RU

РАЗРЫВ ПОГРАНИЧНОГО ИЛИ НАПРАВЛЯЮЩЕГО ПРОВОДОВ

Разрыв пограничного или направляющего проводов (если установлены) обычно является результатом непреднамеренного физического повреждения.

Осмотрите весь контур пограничного провода, начав с зарядной станции.

Осмотрите весь контур направляющего провода (если установлен) от зарядной станции до соединителя.

Убедитесь, что все соединительные муфты зажаты надлежащим образом.

Технические данные

	OPTIMOW 10	OPTIMOW 15
Габариты:		
Высота	26 cm	26 cm
Длина	62 cm	62 cm
Ширина	50 cm	50 cm
Масса	11 kg	11 kg
Электрическая система:		
АКБ, литий-ионный аккумулятор	24 В / 2,0 А·ч, компонент № 211022355 / T0100607-00	24 В / 2,0 А·ч, компонент № 211022355 / T0100607-00
Сетевой адаптер	220–240 В/32 В пост. тока	220–240 В/32 В пост. тока
Длина низковольтного кабеля	10 м	10 м
Среднее энергопотребление при максимальном использовании	8 кВт/месяц на участке 1 000 м ²	10 кВт/месяц на участке 1 500 м ²
Ток зарядки	1,3 А пер. тока	1,3 А пер. тока
Среднестатистическое время зарядки	140 минут	70 минут
Среднестатистическое время кошения	70 минут	70 минут
Звуковое давление: *)		
Измеренный уровень звукового давления **)	55 dB (A)	55 dB (A)
Фактический уровень звукового давления	57 dB (A)	57 dB (A)
Уровень звукового давления ***)	44 dB (A)	44 dB (A)
Кошение:		
Система кошения	Три поворотных режущих ножа	Три поворотных режущих ножа
Средняя потребляемая мощность при скашивании	25 Вт ± 20%	25 Вт ± 20%
Высоты скашивания	2–6 см	2–6 см
Ширина скашивания	22 см	22 см
Допустимая минимальная ширина прохода	60 см	60 см
Максимальный уклон участка	35%	35%
Максимальный уклон ограничительного провода	15%	15%
Максимальная длина пограничного провода	800 м	800 м
Производительность****)	1 000 м ²	1 500 м ²
Рекомендуемая площадь	0–700 м ²	500–1 200 м ²
Классификация по IP:		
Газонокосилка	IPX5	IPX5
Зарядная станция	IPX3	IPX3
Сетевой адаптер	IP67	IP67

РАДИОЧАСТОТНАЯ КАРТА ДАННЫХ

	LTE & GSM	Устройство малого радиуса действия (SRD) (граничный провод)
Диапазон частот	LTE-FDD: B1/B2/B3/B4/B5/B8/B12/B13/B18/B19/B20/B25/ B26/B27/B28/B66/B71/B85 GSM: 850/900/1800/1900 MHz	0~148.5KHz
Максимальная звуковое давление (дБм)	LTE-FDD: 21 дБм +1.7/-3 дБ GSM850/EGSM900: 33 дБм ±2 дБ DCS1800/PCS1900: 30 дБм ±2 дБ GSM850/EGSM900 (8-PSK): 27 дБм ±3 дБ DCS1800/PCS1900 (8-PSK): 26 дБм ±3 дБ	NA

*) Заявленное звукового давления соответствует требованиям стандарта EN 50636-2-107

**) погрешность кВт, 2 дБ (A)

***) погрешность кПа, 2 дБ (A)

****) Показатели производительности соответствуют EGMF RLM004-1.0/2016.

Декларация соответствия ЕС



Имя и адрес о Производитель

Производитель: Globe Technologies Europe GmbH

Адрес: Brunnenweg 17, 64331 Weiterstadt, Германия

Имя и адрес ответственного составителя документации:

Имя: Ralf Pankalla

Адрес: Brunnenweg 17, 64331 Weiterstadt, Германия

Настоящим свидетельствуем, что продукт:

Категория:	Роботизированная газонокосилка
Модель:	Greenworks Optimow 10/ Greenworks Optimow 15
Серийный номер:	См. паспортную табличку продукта.
Серийный №	См. паспортную табличку продукта.

RU

- удовлетворяет соответствующим требованиям Директивы ЕС по машинному оборудованию 2006/42/EC
- удовлетворяет соответствующим требованиям следующих директив:

- Директива об электромагнитной совместимости 2014/30/EU
- Радиоборудование - Директива 2014/53/EU
- Директива по низковольтному оборудованию 2014/35/EU
- Ограничение использования некоторых опасных веществ в электрическом и электронном оборудовании (RoHS) Директива 2011/65/EU & 2015/863/EU

- Использовались следующие (разделы/статьи) европейских гармонизированных стандартов:

- EN 60335-1, EN 50636-2-107, EN 60335-2-29,
- EN 62233, EN 55014-1, EN 55014-2, EN 61000-3-2,
- EN 61000-3-3, EN 61558-1, EN 61558-2-16, EN 62311,
- EN 303 447, EN 303 413, EN 301 511,
- EN 301 489-1, EN 301 489-19, Draft ESTI EN 301 489-52,
- EN 62321-3-1, EN 62321-4, EN 62321-5, EN 62321-6,
- EN 62321-7-1, EN 62321-7-2, EN 62321-8

Тэд Ку Хайчао (Ted Qu Haichao)

Директор по качеству

Weierstadt, 26.06.2021

Ted Qu

Seuraavilla sivuilla on turvallisuusohjeita, huolto- ja kunnossapito-ohjeita. Katso käyttöohjeet koneen mukana tulevasta pikaoppaasta.

Lue ja tutustu kaikkiin tässä käyttöoppaassa ja pikaoppaassa oleviin turvallisuusohjeisiin, varoituksiin ja huomiolauseisiin.

Näiden ohjeiden, varoitusten ja huomiolauseiden lukematta ja noudattamatta jättäminen voi aiheuttaa vakavia vammoja ihmisille ja eläimille tai omaisuusvahinkoja.

Täydellinen käyttöopas on saatavilla osoitteesta

verkkosivu: <https://url.globetools.systems/RaPTQ>

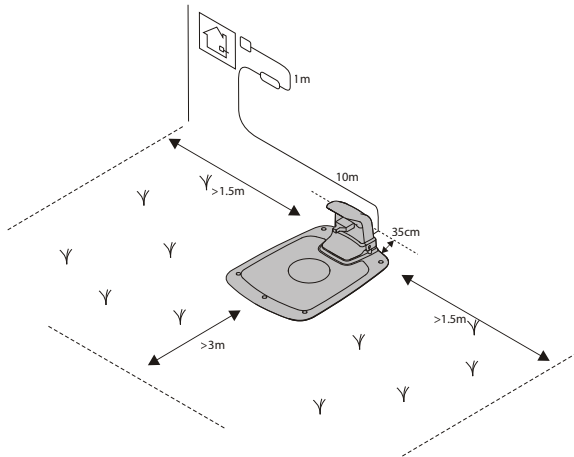
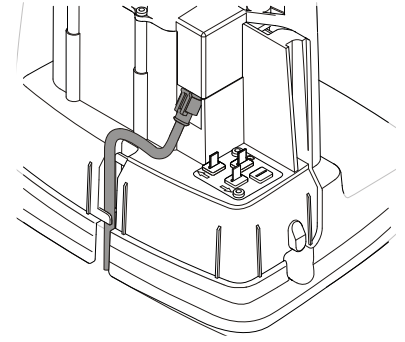
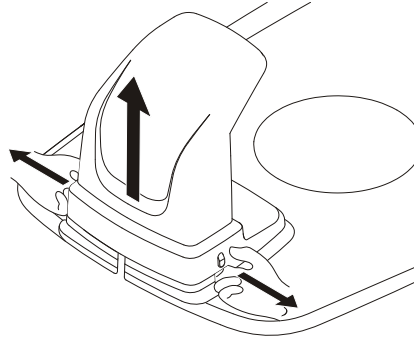
QR-koodi:



Sisältö

Asennus.....	75
Verkkolaitteen yhdistäminen	75
Rajalangan asentaminen	75
Tuoteturvallisuus	76
Ruohonleikkurin symbolien selitykset.....	76
Käyttöoppaan lukeminen.....	76
Käyttöturvallisuus	78
Ympäristönsuojelu.....	79
Vianmääritys.....	80
Ruohonleikkurin LED-merkkivalot.....	80
Rajalangan ja ohjauslangan katkeaminen	80
Tekniset tiedot	81
CE-vaatimustenmukaisuusvakuutus.....	82

Tässä käyttöoppaassa oleva materiaali, tekniset tiedot ja kuvat ovat vain ohjeellisia eivätkä ole sitovia. Valmistaja pidättää itsellään oikeuden tehdä muutoksia teknisiin ominaisuuksiin ja kaikkiin käyttöominaisuuksiin, materiaaleihin, teknisiin tietoihin tai kuviin ilman ennakoilmoitusta



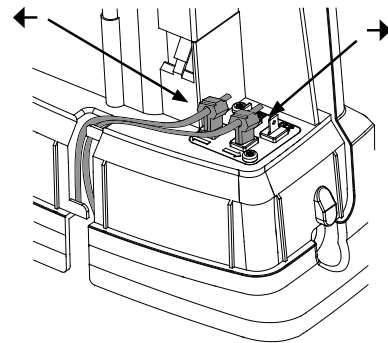
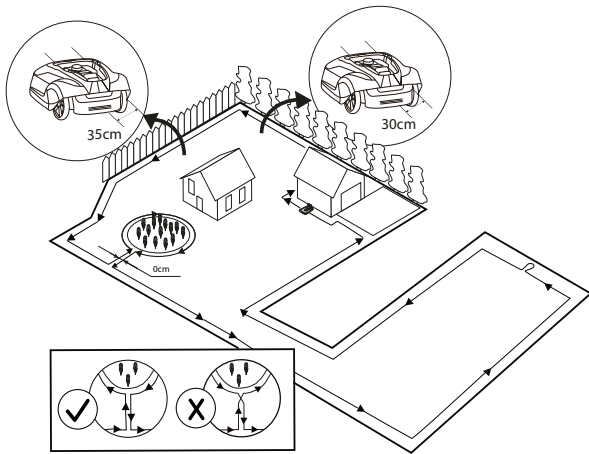
VERKKOLAITTEEN YHDISTÄMINEN

Yhdistä verkkolaite viileään, kuivaan ympäristöön, suojaan suoralta auringonvalolta.

Jos verkkolaite on yhdistettävä ulkona sijaitsevaan pistorasiaan, pistorasian on oltava hyväksytty ulkokäyttöön. Matalajännitekaapelin voi antaa ylittää työskentelyalueen, jos se on kiinnitetty sinkilöillä tai kaivettu maahan.

HUOMIO: Älä katkaise, jatka tai muuta matalajännitekaapelia. Matalajännitekaapelin muuttaminen mitätöi tuotteen takuun.

FI



RAJALANGAN ASENTAMINEN

Kulje takaisin työskentelyalueen ympäri ja kiinnitä rajalanka joko tapeilla tai kaiva se maahan. Tapit ovat suositeltuja, koska niitä voidaan säätää ensimmäisten käyttöviikkojen aikana.

Kiinnitettäessä rajalanka tapeilla:

- Leikkaa nurmikko erittäin lyhyeksi tavallisella ruohonleikkurilla tai trimmerillä kohdasta, johon rajalanka on tarkoitus asentaa.
- Asenna rajalanka maata myöden ja kiinnitä tapeilla.
- Paina tai lyö vasaralla tapit maahan.

Älä paina tappeja niin syväälle maahan, että rajalanka kiristyy.

Kaivaessasi rajalangan maahan:

- Kaiva rajalanka 1–20 cm:n syvyyteen.

Katso rajalangan asennusohjeet käyttöoppaan verkkoversiosta



Tätä käyttöopasta täydentäviä tietoja löytyy verkkosivustolta: www.greenworkstools.eu

RUOHONLEIKKURIN SYMBOLIEN SELITYKSET



Tämä on vaarallinen sähkötyökalu. Ole varovainen käyttäessäsi sitä ja noudata kaikkia turvallisuusohjeita ja varoituksia.

Lue tämä käyttöopas huolellisesti ennen ruohonleikkurin käyttämistä.



Irrota turva-avain ennen kuin työskentelet ruohonleikkurilla tai nostat sitä.



Vierasesineiden sinkoutumisvaara käytön aikana.

Säilytä turvallinen etäisyys ruohonleikkuriin käytön aikana ja pidä muut henkilöt sekä etenkin lapset, lemmikkieläimet ja sivulliset, etäällä alueesta, jolla ruohonleikkuri työskentelee.



Älä matkusta ruohonleikkurin päällä.



Luokan III laite

KÄYTTÖOPPAAN LUKEMINEN

Seuraavat symbolit ovat tärkeitä käyttöohjeiden lukemisessa ja ymmärtämisessä.



Käytä suojakäsineitä

Seuraavia huomiosanoja käytetään käyttöoppaassa helpottamassa ymmärtämistä:

- **VAROITUS!** Varoitustekstit ilmoittavat käyttäjille ja kuluttajille vaarojen olemassaolosta ja luonteesta, jotta he voivat estää loukkaantumiset tuotteen asianmukaisella käytöllä.
- **HUOMIO:** Huomiotekstit ilmoittavat käyttäjille ja kuluttajille tuotteen riskien olemassaolosta ja luonteesta, jotta he voivat estää tuotteen vaurioitumisen tuotteen asianmukaisella käytöllä.
- **HUOMAUTUS:** Huomautuksissa on lisätietoa tuotteen käytöstä käyttäjille ja kuluttajille.
- **Lihavoidulla kursiivilla** kirjoitettu teksti viittaa toiseen käyttöoppaan osioon.
- **Lihavoidulla** kirjoitettu teksti viittaa ruohonleikkurin asetuksiin.

Tuoteturvallisuus

TÄRKEÄÄ

LUE HUOLELLISESTI ENNEN KÄYTTÖÄ! SÄILYTÄ MYÖHEMPÄÄ TARVETTA VARTEN!

Harjoittelu

VAROITUS! Automaattinen ruohonleikkuri! Pysy etäällä koneesta! Valvo lapsia!

- Lue ohjeet huolellisesti. Tutustu säätimiin ja koneen oikeaan käyttöön.
- Älä koskaan anna ohjeisiin perehtymättömien henkilöiden tai lasten käyttää konetta. Paikalliset määräykset voivat rajoittaa käyttäjän ikää.
- Käyttäjä on vastuussa onnettomuuksista ja vahingoista, joita aiheutuu sivullisille tai heidän omaisuudelleen.

Valmistelu

- Varmista, että rajamerkit- ja ohjauslangat on asennettu ohjeiden mukaisesti.
- Tarkista säännöllisesti alue, jolla konetta on tarkoitus käyttää, ja poista kaikki kivet, oksat, rautalangat, luut ja muut vierasesineet.
- Tarkista säännöllisesti terät, terien pultit ja leikkurikokoonpano silmämääräisesti kulumisen ja vaurioiden varalta. Vaihda kuluneet tai vaurioituneet terät ja pultit sarjoina, jotta laitteen tasapaino säilyy.

Yleistä

- Älä koskaan käytä konetta viallisten suojusten kanssa tai ilman paikallaan olevia turvalaitteita, kuten runkoa.
- Älä laita käsiä tai jalkoja pyörivien osien lähelle tai niiden alle.
- Älä koskaan nosta tai kannaa konetta moottorin käydessä.
- Irrota (tai käytä) estolaite koneesta
 - ennen tukoksen puhdistamista;
 - ennen koneen tarkastamista, puhdistamista tai koneeseen kohdistuvia töitä.
- Älä koskaan jätä konetta toimimaan ilman valvontaa, jos lähellä on lemmikkieläimiä, lapsia tai muita ihmisiä.

Kunnossapito ja säilytys

- Pidä kaikki mutterit, pultit ja ruuvit kiristettyinä, jotta varmistat koneen turvallisen toimintakunnon.
- Vaihda kuluneet tai vaurioituneet osat turvallisuuden takia.
- Varmista, että käytät ainoastaan oikeantyyppisiä vaihtoteriä.
- Varmista, että akut ladataan oikealla valmistajan suosittelemalla laturilla. Virheellinen käyttö voi aiheuttaa sähköiskun, ylikuumentumisen tai syövyttävän nesteiden vuotamisen akusta.
- Jos elektrolyyttiä pääsee vuotamaan, huuhtelee vedellä / neutraalivalla aineella. Jos sitä pääsee silmiin, ota yhteys lääkäriin.
- Koneen huoltotoimenpiteet on suoritettava valmistajan ohjeiden mukaan.

VAROITUS! Käytä akun lataamiseen vain laitteen mukana tulevaa irrotettavaa virransyöttölaitetta.

VAROITUS! Tämä laite sisältää akkuja, jotka saa vaihtaa vain ammattitaitoinen henkilö.

Käyttö

RUOHONLEIKKURIN KÄYNNISTYS JA PYSÄYTYS

Ruohonleikkurin käynnistäminen:

- 1 Työnnä turva-avain paikalleen ja käännä sitä myötäpäivään kohtaan "1".
- 2 Siirrä **START** painikkeen salpa taaksepäin.
- 3 Paina **START** painike pohjaan.

Ruohonleikkurin pysäyttäminen:

Paina ruohonleikkurin **STOP** painiketta.

RUOHONLEIKKURIN VIRRRAN POISKYTKENTÄ

Paina ruohonleikkurin **STOP** painiketta ja poista turva-avain.

VAROITUS! Poista turva-avain aina, kun suoritat kunnossapitotoimia tai siirät ruohonleikkuria.

KÄYTTÖTURVALLISUUS

Tämä käyttöopas sisältää kaikki perustiedot ruohonleikkurin turvallisesta käyttämisestä ja kunnossapidosta.



Lue kaikki tässä käyttöoppaassa olevat turvallisuusvaroitimet ja ohjeet ennen ruohonleikkurin käyttämistä. Säilytä tämä käyttöohje myöhempää tarvetta varten. Noudata valmistajan ohjeita asennuksessa, käyttämisessä, kunnossapidossa ja korjauksissa.

Tämä ruohonleikkuri on suunniteltu ruohon leikkaamiseen avoimilta ja tasaisilta paikoilta. Käytä valmistajan suosittelemia varusteita. Kaikki muut käyttötavat ovat virheellisiä.



Tämä ruohonleikkuri vastaa CE-turvallisuusstandardeja sekä sähkömagneettista yhteensopivuutta, koneita ja pienjännitettä koskevia direktiivejä.



Ruohonleikkuria ei ole tarkoitettu sellaisten henkilöiden käyttöön (lapset mukaan lukien), joiden fyysiset, aistinvaikeudet tai henkiset ominaisuudet ovat heikentyneet tai joilta puuttuu kokemusta ja tietoa laitteen käytöstä, jollei heidän turvallisuudestaan vastaava henkilö ole heitä neuvomassa ja ohjaamassa laitteen käytössä.

Lapsia tulee valvoa, jotta he eivät leiki laitteella.

Ruohonleikkuria saavat käyttää, kunnossapitää ja korjata vain sellaiset henkilöt, jotka ymmärtävät täysin sen erityispiirteet ja turvallisuusmääräyksiä.

Käynnistä kone ohjeiden mukaisesti. Kun turva-avain on Käyttö-asennossa, pidä kätesi ja jalkasi etäällä pyörivistä teristä.

Älä koskaan laita käsiä tai jalkoja ruohonleikkurin alle.

Älä muuta ruohonleikkurin alkuperäistä mallia. Kaikki muutokset mitätöivät takuun.

Kytke virta pois päältä ruohonleikkurista käyttämällä STOP painiketta, kun henkilöitä, kuten lapsia, tai lemmikkieläimiä on leikkuualueella. Suosittelemme ohjelmoimaan ruohonleikkurin toimimaan sellaisina aikoina, kun alue on tyhjä henkilöistä tai lemmikkieläimistä.

Poista toiminta-alueelta vieraat esineet, kuten oksat, lelut, kivet, työkalut, jotka voivat vaurioittaa teriä. Ruohonleikkuri voi jäädä kiinni niihin ja vaatia toimenpiteitä irrottamiseksi ennen kuin voi jatkaa leikkaamista.

Älä koskaan nosta ruohonleikkuria tai kannu sitä turva-avaimen ollessa paikoillaan.

Kytke virta aina pois päältä ruohonleikkurista käyttämällä STOP painiketta, kun ruohonleikkuri ei ole käytössä. Ruohonleikkuri käynnistyy ainoastaan, kun turva-avain on paikallaan ja START painiketta painetaan.

Sisäänrakennettu hälytys on hyvin kovaääninen. Ole varovainen etenkin, jos ruohonleikkuria käsitellään sisätiloissa.

Älä käytä ruohonleikkuria, jos sen terälevy tai runko on viallinen.

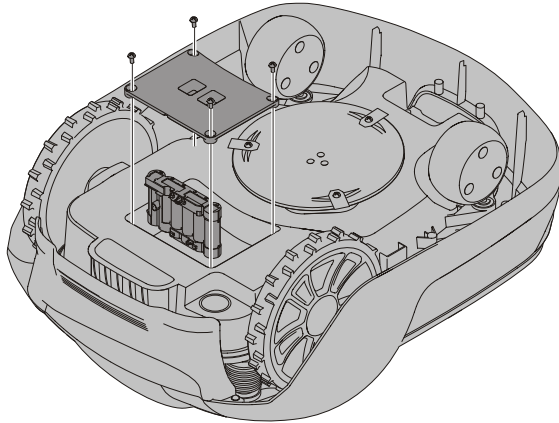
Älä anna sellaisten henkilöiden käyttää ruohonleikkuria, jotka eivät tiedä, miten se toimii tai käyttäytyy.

Älä laita mitään ruohonleikkurin tai sen latausaseman päälle.



Pidä aina suojakäsineitä, kun työskentelet ruohonleikkurin terien kanssa.

Akun vaihtaminen



VAROITUS! Jos elektrolyyttiä pääsee vuotamaan, huuhtele vedellä / neutraalivalla aineella ja hakeudu lääkäriin, jos elektrolyyttiä pääsee silmiin.

Lataa akku vain alkuperäisessä latausasemassa. Virheellinen käyttö voi aiheuttaa sähköiskun, ylikuumenemisen tai syövyttävän nesteen vuotamisen akusta.

Akku on huoltovapaa, mutta sen käyttöikä on rajallinen 2–4 vuotta riippuen kauden pituudesta ja siitä, miten monta tuntia päivässä ruohonleikkuria käytetään.

VAROITUS! Paina STOP painiketta ja poista turva-avain ennen akun vaihtamista ja käytä suojakäsineitä.

HUOMIO: Käytä vain alkuperäisiä varaosia.

Käännä ruohonleikkuri ylösalaisin ja irrota neljä Torx T20 -ruuvia ja poista akun kansi.

Irrota liitin akun navasta.

Nosta akku suoraan ulos.

Työnnä uusi akku aukkoon 1 (takimmainen aukko).

Yhdistä akun navan liitin uuteen akkuun.

Aseta akun kansi takaisin paikalleen ja kiristä neljä Torx T20 -ruuvia.

Työnnä turva-avain ruohonleikkurin pohjaan ja käännä Käyttö-asentoon. Aseta ruohonleikkuri latausasemaan, jotta akku voidaan ottaa käyttöön ja ladata.

FI

Ympäristönsuojelu



EU:n direktiivin 2012/19/EU mukaan sähkölaite- ja elektroniikkaromu, jota ei enää voida käyttää ja EU:n direktiivin 2006/66/EC mukaan vialliset tai käytetyt akut/paristot, on kerättävä erikseen ja hävitettävä ympäristöystävällisellä tavalla.

Tämä symboli ruohonleikkurissa tai sen pakkauksessa ilmaisee, että tuotetta ei saa hävittää kotitalousjätteen mukana. Sen sijaan se on toimitettava asianmukaiseen kierrätyskeskukseen, joka huolehtii sen elektroniikkaosien ja akkujen kierrättämisestä.

Akut ovat ruohonleikkurin alla alustan sisällä.

Varmistamalla, että tämä tuote hävitetään aoikein, autat estämään ympäristölle ja ihmisille mahdollisesti aiheutuvia haitallisia jälkiseurauksia, joita saattaa syntyä, jos tämä tuote hävitetään väärällä tavalla.

Tarkempia tietoja tämän tuotteen kierrätyksestä saat ottamalla yhteyden paikallisiin viranomaisiin, paikkakuntasi jätehuoltopalveluun tai liikkeeseen, josta ostit tämän tuotteen.



Kun käytetyt tuotteet ja pakkausmateriaalit viedään erilliseen keräykseen, materiaalit voidaan kierrättää ja uusiokäyttää. Kierrätettyjen materiaalien uusiokäyttö estää ympäristön saastumista ja vähentää raakaaineiden tarvetta.

Batteries



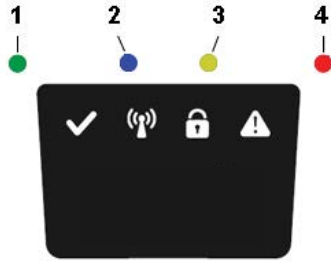
Li-ion

Hävitä akut niiden käyttöiän päättyessä ottamalla ympäristö huomioon. Akku sisältää materiaalia, joka on vaarallista käyttäjälle ja ympäristölle. Se on irrotettava ja hävitettävä erikseen laitoksessa, joka ottaa vastaan litiumioniakkuja.

Vianmääritys

Tässä osiossa on joitakin kuvattu joitakin ongelmia, jotka voivat auttaa, jos ruohonleikkuri ei toimi odotetulla tavalla.

RUOHONLEIKKURIN LED-MERKKIVALOT



LED	TILA	MERKITYS	TOIMENPIDE
1. Toiminta (vihreä)	Viikkuu	Palautustila	Aseta robotti latausasemaan enintään 5 tunniksi ja odota, kunnes vihreä LED-valo lakkaa vilkkumasta. Jos vihreä LED-valo ei lakkaa vilkkumasta, käynnistä robotti uudelleen latausaseman ulkopuolella ja yritä uudestaan.
	Palaa	Ruohonleikkuri toimintatilassa (latauksessa, pysäköitynä latausasemaan, pysäytettynä, leikkaa tai hakee)	
	Ei pala	Ruohonleikkuri pysähtyi ruohonleikkurin Stop painikkeesta, turva-avain on Ei käytössä -asennossa, ruohonleikkuri on vikatilassa tai ruohonleikkuri odottaa PIN-koodia.	
2. Yhteys (sininen)	Viikkuu	Yrittää muodostaa yhteyden internet-palvelimeen	
	Palaa	Yhteys internet-palvelimeen muodostettu	
	Ei pala	Ruohonleikkuri ei ole "virta päällä tilassa"	
3. Turvallisuus (keltainen)	Viikkuu	PIN-koodi vahvistus vaaditaan	... mobiilisovelluksen kautta
	Ei pala	PIN-koodia ei tarvita	Toimenpiteitä ei tarvita
4. Virhe (punainen)	Viikkuu	Ruohonleikkuri on pysähtynyt virheen takia	Tarkista virheen syy ja käynnistä ruohonleikkuri sitten uudelleen Start painikkeella.

RAJALANGAN JA OHJAUSLANGAN KATKEAMINEN

Rajalangan ja ohjauslangan (jos asennettu) katkeaminen johtuu yleensä tahattomasta fyysisestä vauriosta.

Tarkista koko rajalangan pituus latausasemasta ja siihen takaisin.

Tarkista ohjauslanka (jos asennettu) latausasemasta rajalangan jatkokseen.

Varmista, että kaikki liitokset on puristettu kunnolla yhteyden saamiseksi.

Tekniset tiedot

	OPTIMOW 10	OPTIMOW 15
Mitat:		
Korkeus	26 cm	26 cm
Pituus	62 cm	62 cm
Leveys	50 cm	50 cm
Paino	11 kg	11 kg
Sähköjärjestelmä:		
Akku, erikoislitiumioniakku	24 V / 2,0 Ah, osan nro 211022355 / T0100607-00	24 V / 2,0 Ah, osan nro 211022355 / T0100607-00
Verkkolaite	220–240 V/32 V DC	220-240 V/32 V DC
Matalajännitekaapelin pituus	10 m	10 m
Keskimääräinen energiankulutus maksimikäytöllä	8 kWh/kk 1000 m ² :n työskentelyalueella	10 kWh/kk 1500 m ² :n työskentelyalueella
Latausvirta	1.3 A DC	1.3 A DC
Keskimääräinen latausaika	140 minutes	70 minutes
Keskimääräinen leikkuaika	70 minutes	70 minutes
Melupäästöt: *)		
Mitattu äänentehotaso **)	55 dB (A)	55 dB (A)
Taattu äänentehotaso	57 dB (A)	57 dB (A)
Äänenpainetaso ***)	44 dB (A)	44 dB (A)
Leikkuu:		
Leikkujärjestelmä	Kolme nivellettyä leikkuuterää	Virrankulutus leikkuutyön aikana
Keskimääräinen virrankulutus leikkaamisen aikana	25 W ± 20%	25 W ± 20%
Leikkuukorkeus	2-6 cm	2-6 cm
Leikkuuleveys	22 cm	22 cm
Kapein mahdollinen käytävä	60 cm	60 cm
Leikkuualueen suurin kaltevuus	35%	35%
Rajalangan suurin kaltevuus	15%	15%
Rajalangan enimmäispituus	800 m	800 m
Toimintakapasiteetti****)	1,000 m ²	1,500 m ²
Suosittelut aluekapasiteetti	0 - 700 m ²	500 - 1,200 m ²
IP-luokitus:		
Ruohonleikkuri	IPX5	IPX5
Latausasema	IPX3	IPX3
Verkkolaite	IP67	IP67

FI

RADIOTAAJUUSTIEDOT

	LTE & GSM	Lyhyen kantaman laitteet (SRD) (rajamerkintäjohto)
Taajuuskaista	LTE-FDD: B1/B2/B3/B4/B5/B8/B12/B13/B18/ B19/B20/B25/B26/B27/B28/B66/B71/B85 GSM: 850/900/1800/1900 MHz	0~148.5KHz
Suurin lähtöteho (dBm)	LTE-FDD: 21 dBm +1.7/-3 dB GSM850/EGSM900: 33 dBm ±2 dB DCS1800/PCS1900: 30 dBm ±2 dB GSM850/EGSM900 (8-PSK): 27 dBm ±3 dB DCS1800/PCS1900 (8-PSK): 26 dBm ±3 dB	NA

*) Melupäästöilmoitukset vastaavat standardia EN 50636-2-107

**) epävarmuudet KWA, 2 dB (A)

***) epävarmuudet KPA, 2 dB (A)

****) Toimintakapasiteetti-ilmoitus vastaa standardia EGMF RLM004-1.0/2016.

CE-vaatimustenmukaisuusvakuutus



Valmistaja nimi ja osoite:

Valmistaja: Globe Technologies Europe GmbH

Osoite: Brunnenweg 17, 64331 Weiterstadt, Saksa

Sen henkilön nimi ja osoite, joka on valtuutettu kokoamaan teknisen tiedoston:

Nimi: Ralf Pankalla

Osoite: Brunnenweg 17, 64331 Weiterstadt, Saksa

Täten vakuutamme, että tuote:

Luokka:	Robottiruohonleikkuri
Malli:	Greenworks Optimow 10/ Greenworks Optimow 15
Sarjanumero:	Katso tuotteen tyyppikilpi.
Sarjanro	Katso tuotteen tyyppikilpi.

- Täyttää konedirektiivin 2006/42/EY olennaiset vaatimukset
- Täyttää seuraavien direktiivien vaatimukset:

- Sähkömagneettista yhteensopivuutta koskeva direktiivi 2014/30/EU
- Radiolaitteita koskeva direktiivi 2014/53/EU
- Pienjännitedirektiivi 2014/35/EU
- Tiettyjen vaarallisten aineiden käyttöä rajoittava direktiivi

Sähkö- ja elektroniikkalaitteissa käytettäviä

aineita koskevat direktiivit (RoHS) 2011/65/EU ja (EU) 2015/863

- Lisäksi vakuutamme, että seuraavia standardeja on käytetty:

- EN 60335-1, EN 50636-2-107, EN 60335-2-29
- EN 62233, EN 55014-1, EN 55014-2, EN 61000-3-2
- EN 61000-3-3, EN 61558-1, EN 61558-2-16, EN 62311
- EN 303 447, EN 303 413, EN 301 511
- EN 301 489-1, EN 301 489-19, Draft ESTI EN 301 489-52
- EN 62321-3-1, EN 62321-4, EN 62321-5, EN 62321-6
- EN 62321-7-1, EN 62321-7-2, EN 62321-8

Ted Qu Haichao
Laatujohtaja

Weierstadt, 26.06.2021

Ted Qu

Följande sidor innehåller säkerhetsanvisningar samt anvisningar för service och underhåll. För användning, se snabbstartsguiden som levererades med maskinen.

Läs och ta till dig alla säkerhetsanvisningar, varningar och försiktighetsåtgärder i denna handbok och snabbstartsguide.

Om du inte läser och följer dessa anvisningar, varningar och försiktighetsåtgärder kan det leda till allvariga skador eller dödsfall för personer och husdjur samt skador på personlig egendom.

Den fullständiga bruksanvisningen finns på webbplats:

<https://url.globetools.systems/9uknA>

QR-kod:



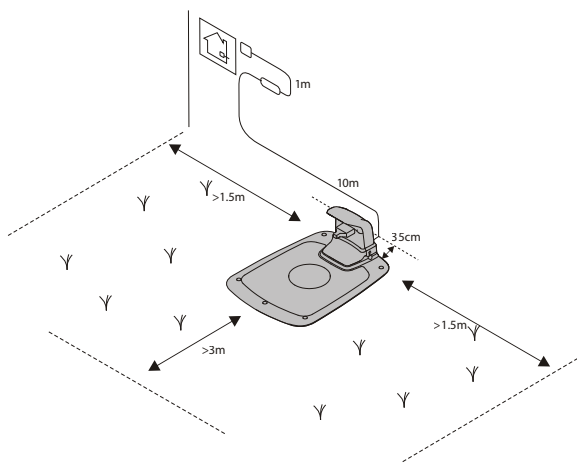
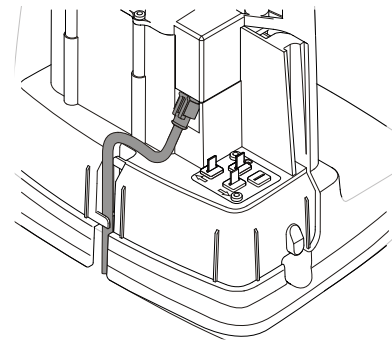
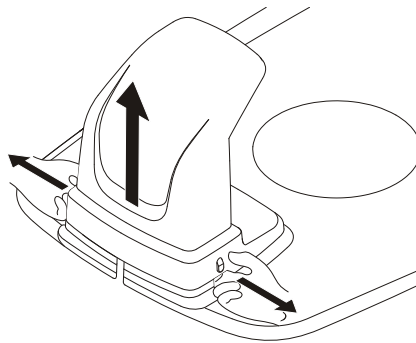
Innehåll

Installation	84
Ansluta strömförsörjningen	84
Installera begränsningskabeln	84
Produktsäkerhet	85
Förklaring av symboler på klipparen	85
Läsa användarhandboken	85
Driftsäkerhet	87
Miljöskydd	88
Felsökning	89
LED-indikatorer på klipparen	89
Brott på begränsningskabeln och guidekabeln	89
Tekniska data	90
CE-deklaration om överensstämmelse	91

SV

Materialen, tekniska data och figurerna i denna handbok är endast riktlinjer och därmed inte bindande. Tillverkaren förbehåller sig rätten att göra ändringar på de tekniska egenskaperna och alla driftfunktioner, material, tekniska data eller figurer utan föregående meddelande.

Installation



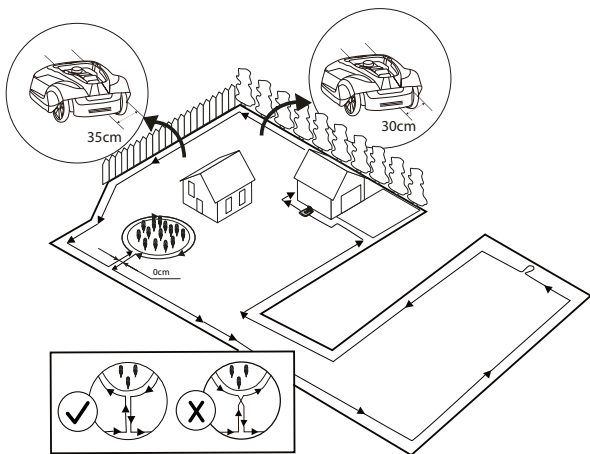
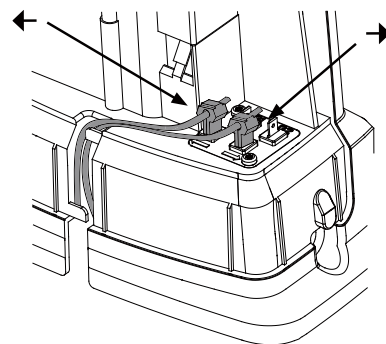
ANSLUTA STRÖMFÖRSÖRJNINGEN

Anslut strömförsörjningen på en sval, torr plats utan direkt solljus.

Om strömförsörjningen ansluts till ett eluttag utomhus måste det vara godkänt för utomhusbruk.

Lågspänningskabeln kan dras tvärs över användningsområdet om den trampas eller grävs ned.

VAR FÖRSIKTIG: Kapa, skarva eller ändra inte på lågspänningskabeln. Om du gör ändringar på lågspänningskabeln upphör garantin att gälla.



INSTALLERA BEGRÄNSNINGSKABELN

Lägg ned slingkabelspolen vid laddstationen.

Gå tillbaka längs användningsområdets gräns och säkra begränsningskabeln med antingen pinnar eller genom att gräva ned den i marken. Vi rekommenderar pinnar eftersom man då kan justera under användningens första veckor.

När du säkrar begränsningskabeln med pinnar:

- Klipp gräset väldigt lågt med en vanlig gräsklippare eller trimmer där kabeln ska dras.
- Lägg begränsningskabeln på marken och säkra med pinnar tätt tillsammans.
- Tryck eller slå ned pinnarna i marken.

Tryck inte ned pinnarna så djupt i marken att de sträcker begränsningskabeln.

När du gräver ned begränsningskabeln:

- Gräv ned begränsningskabeln 1–20 cm i marken.

Se den fullständiga handboken online för guidekabelinstallation.



Produktsäkerhet

Som komplement till denna användarhandbok kan du hitta mer information på vår webbplats: www.greenworkstools.eu

FÖRKLARING AV SYMBOLER PÅ KLIPPAREN



Detta är ett farligt elektriskt verktyg. Var försiktig vid drift och följ samtliga säkerhetsanvisningar och varningar.

Läs användarhandboken noggrant innan du använder klipparen.



Avlägsna säkerhetsnyckeln innan du arbetar på eller lyfter klipparen.



Risk för utslungade föremål under drift.

Håll dig på säkert avstånd från klipparen under drift och se till att människor, i synnerhet barn, husdjur och omkringstående håller sig på avstånd från det område där klipparen används.



Åk inte på klipparen.



Apparatklass III

SV

LÄSA ANVÄNDARHANDBOKEN

Följande symboler är viktiga för att läsa och förstå användaranvisningarna.



Använd skyddshandskar

Följande system används i användarhandboken för att underlätta förståelsen:

- **WARNING! Varningstexter varnar användarna och konsumenterna för faror och deras art så att de kan undvika skador med hjälp av lämpligt beteende under användningen av produkten.**
- **VAR FÖRSIKTIG:** Uppmaningar till försiktighet varnar användarna och konsumenterna för produktens risker och deras art så att de kan undvika att skada produkten med hjälp av lämpligt beteende under användningen av produkten.
- **ANMÄRKNING:** Anmärkningar ger användarna och konsumenterna ytterligare information om användningen av produkten.
- Text i **fet, kursiv stil** hänvisar till ett annat avsnitt i användarhandboken.
- Text i **fet stil** hänvisar till inställningar på klipparen.

Produktsäkerhet

VIKTIGT

LÄS NOGGRANT FÖRE ANVÄNDNING! SPARA FÖR FRAMTIDA REFERENS!

Träning

WARNING! Automatisk gräsklippare! Håll dig undan från maskinen! Ha uppsikt över barn!

- Läs anvisningarna noggrant. Bekanta dig med reglagen och hur maskinen ska användas.
- Låt aldrig personer som inte känner till dessa anvisningar eller barn använda maskinen. Lokala bestämmelser kan föreskriva en åldersgräns för bruk.
- Operatören eller användaren är ansvarig för olyckor eller faror gentemot andra personer eller egendom.

Förberedelser

- Säkerställ att gräns- och guidekablarna installeras enligt anvisningarna.
- Undersök regelbundet området där maskinen ska användas och ta bort alla stenar, pinnar, kablar, ben och övriga föremål.
- Kontrollera regelbundet maskinen visuellt för att se att knivarna, knivbultarna och klippmodulen inte är slitna eller skadade. Byt ut slitna eller skadade knivar och bultar parvis för att bevara balansen.

Allmänt

- Använd aldrig maskinen med trasiga skydd eller utan skyddsanordningar, exempelvis höljet, på plats.
- Placera aldrig händer eller fötter nära eller under roterande delar.
- Lyft eller bär aldrig en maskin medan motorn är igång.
- Avlägsna (eller aktivera) blockeringsanordningen från maskinen
 - innan röjning av blockering;
 - innan kontroll, rengöring eller arbeten på maskinen.
- Lämna inte maskinen igång utan uppsikt om du vet att det finns husdjur, barn eller andra personer i närheten.

Underhåll och förvaring

- Se till att alla muttrar, bultar och skruvar är åtdragna så att maskinen är i funktionsdugligt skick.
- Byt slitna eller skadade delar av säkerhetsskäl.
- Säkerställ att du endast använder ersättningsklippdelar av rätt typ.
- Säkerställ att batterierna laddas med rätt laddare som rekommenderas av tillverkaren. Felaktig användning kan leda till elstötar, överhettning eller läckage av korrosiv vätska från batteriet.
- Vid läckage av elektrolyt ska du spola med vatten/neutraliserande medel. Kontakta läkare vid kontakt med ögonen etc.
- Service av maskinen ska ske i enlighet med tillverkarens anvisningar.

WARNING! För att ladda batteriet, använd endast den separata strömförsörjningsenhet som följde med denna apparat.

WARNING! Denna apparat innehåller batterier som endast kan bytas av en kvalificerad person.

Användning

STARTA OCH STOPPA KLIPPAREN

För att starta klipparen:

- 1 Sätt i säkerhetsnyckeln och vrid den moturs till läge "1".
- 2 Dra **START** knapplåset bakåt.
- 3 Tryck ned **START** knappen.

För att stoppa klipparen:

Tryck på **STOP** knappen på klipparen.

STÄNGA AV KLIPPAREN

Tryck på **STOP** knappen på klipparen och ta ur säkerhetsnyckeln.

WARNING! Ta alltid ur säkerhetsnyckeln när du utför underhåll eller om klipparen måste flyttas.

DRIFTSÄKERHET

Denna användarhandbok innehåller all grundläggande information om säker drift och säkert underhåll av klipparen.



Läs noggrant igenom alla säkerhetsåtgärder och -anvisningar i denna användarhandbok innan du använder klipparen. Spara denna användarhandbok för framtida referens. Följ tillverkarens anvisningar vad gäller installation, drift, underhåll och reparationer.

Den här klipparen är konstruerad för att klippa gräs på öppna och plana ytor. Använd endast utrustning som rekommenderas av tillverkaren. All annan användning är felaktig användning.



Den här klipparen uppfyller CE-säkerhetsstandarderna och -direktiven angående elektromagnetisk kompatibilitet, maskiner och lågspänning.



Klipparen är inte avsedd att användas av personer (inklusive barn) med nedsatt fysisk, sensorisk eller psykisk förmåga, eller som saknar erfarenhet och kunskap, om de inte övervakas eller har fått instruktioner om användning av maskinen från en person som är ansvarig för deras säkerhet.

Håll uppsikt över barn så att de inte leker med maskinen.

Klipparen får endast användas, underhållas och repareras av personer som helt och hållet förstår dess särskilda egenskaper och säkerhetsbestämmelser.

Starta klipparen enligt anvisningarna. När säkerhetsnyckeln är i **aktiverat** läge ska du hålla händer och fötter undan från de roterande knivarna.

Placera aldrig händer och fötter under klipparen.

Ändra inte på klipparens ursprungliga konstruktion. Eventuella ändringar gör att garantin upphör att gälla.

Stäng av klipparen med STOP knappen på klipparen när personer, i synnerhet barn, eller husdjur befinner sig i klippområdet. Vi rekommenderar att klipparen programmeras för att användas under tider när inga personer eller husdjur befinner sig i området.

Avlägsna föremål som exempelvis grenar, leksaker, stenar och verktyg som kan skada knivarna från området. Klipparen kan fastna på föremål i klippområdet och det kan krävas hjälp för att avlägsna föremålet innan klipparen kan fortsätta klippa.

Lyft aldrig upp klipparen eller bär den med säkerhetsnyckeln isatt.

Stäng alltid av klipparen med STOP knappen när klipparen inte används. Klipparen kan endast starta när säkerhetsnyckeln är isatt och START knappen trycks in.

Det inbyggda larmet är mycket högt. Var försiktig, i synnerhet om klipparen hanteras inomhus.

Använd inte klipparen med en trasig knivdisk eller stomme.

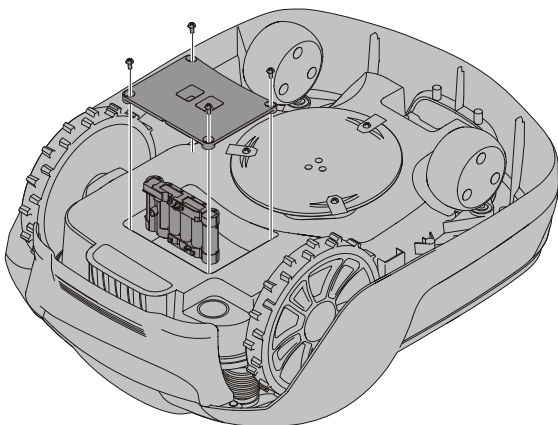
Klipparen får inte användas av personer som inte vet hur den fungerar och betar sig.

Placera inte något ovanpå klipparen eller dess laddstation.



Använd alltid skyddshandskar när du arbetar med klipparens knivar.

Byta ut batteriet



WARNING! Vid läckage av elektrolyt ska du spola med vatten/neutraliserande medel. Kontakta läkare om elektrolyt kommer i kontakt med ögonen.

Ladda endast batteriet i originalladdstationen. Felaktig användning kan leda till elstötar, överhettning eller läckage av korrosiv vätska från batteriet.

Batteriet är underhållsfritt men har en begränsad livslängd på 2–4 år beroende på hur lång säsongen är och hur många timmar per dag klipparen används.

WARNING! Tryck på STOP knappen och ta ur säkerhetsnyckeln innan du byter ut batterierna. Använd skyddshandskar.

VAR FÖRSIKTIG: Använd endast originalreservdelar.

Vänd klipparen upp och ned och avlägsna de fyra Torx T20-skruvarna samt batterikåpan.

Koppla loss batterikontaktanslutningen.

Lyft ut batteriet rakt.

Sätt i det nya batteriet i fack 1 (det bakre facket).

Anslut batterikontaktanslutningen till det nya batteriet.

Tryck tillbaka batterikåpan på plats och sätt i och dra åt de fyra Torx T20-skruvarna.

Sätt i säkerhetsnyckeln i klipparens undersida och vrid den till aktiverat läge. Placera gräsklipparen i laddstationen för att aktivera och ladda batteriet.

SV

Miljöskydd



Enligt EU-lagen 2012/19/EU måste elektrisk och elektronisk utrustning som inte längre är användbar, och enligt EU-lagen 2006/66/EC måste defekta eller använda batterier samlas in separat och avfallshandteras på ett sätt som skonar miljön.

Symbolen på klipparen eller dess förpackning indikerar att denna produkt inte får behandlas som hushållsavfall. Istället ska den lämnas till lämplig återvinningsstation för återvinning av dess elektroniska komponenter och batterier.

Batterierna sitter i chassit under klipparen.

Genom att säkerställa att denna produkt tas om hand på rätt sätt kan du bidra till att minska den negativa effekt på miljön och människor som annars kan uppstå på grund av felaktig avfallshantering av denna produkt.

För mer information om återvinning av denna produkt, kontakta din kommun, ditt avfallsbolag eller det inköpsställe där du köpte produkten.



Vid separat insamling av använd maskin och förpackning är det möjligt att återvinna och återanvända material. Användning av återvunna material skonar miljön och minskar utnyttjandet av råvaror.

Batteries

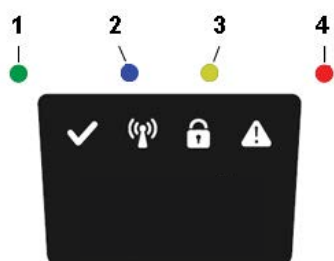


Skydda miljön genom att lämna uttjänta batterier till avsedd uppsamlingsplats. Batteriet innehåller ämnen som är skadliga både för dig och för miljön. Dessa material ska lämnas till en anläggning som tar emot litiumjonbatterier.

Felsökning

Detta avsnitt behandlar dessutom några symtom som kan vägleda dig om klipparen inte fungerar som den ska.

LED-INDIKATORER PÅ KLIPPAREN



LED	STATUS	BETYDELSE	ÅTGÄRD
1. Igång (Grön)	Blinkar	Återhämtningsläge	Placera robotgräsklipparen i laddningsstationen i upp till fem timmar och vänta på att den gröna LED slutar att blinka. Om LED inte slutar att blinka, starta i så fall om robotgräsklipparen utanför laddningsstationen och försök igen.
	På	Klipparen är igång (laddar, parkerad, klipper, söker etc.)	
	Av	Gräsklipparen stoppad med stop knappen på gräsklipparen, säkerhetsnyckeln i läget Disabled, gräsklipparen i läge Error eller gräsklipparen väntar på PIN-kod.	
2. Ansluten (Blå)	Blinkar	Försöker ansluta till internetservern	
	På	Ansluten till internetservern	
	Av	Klipparen inte påslagen	
3. Säkerhet (Gul)	Blinkar	Auktorisering med PIN-kod krävs	... via mobilappen.
	Av	Ingen PIN-kod krävs	Ingen åtgärd krävs
4. Fel (Röd)	Blinkar	Klipparen stoppad med fel	Kontrollera orsaken till felet och starta sedan om klipparen genom att trycka på Start knappen på klipparen.

SV

BROTT PÅ BEGRÄNSNINGSKABELN OCH GUIDEKABELN

Brott på begränsningskabeln och den eventuella guidekabeln beror vanligtvis på ej avsedd fysisk skada.

Inspektera hela begränsningskabeln från laddstationen och tillbaka.

Inspektera den eventuella guidekabeln från laddstationen till skarven till begränsningskabeln.

Kontrollera att samtliga kopplingar har tryckts ihop ordentligt så att det blir kontakt.

Tekniska data

	OPTIMOW 10	OPTIMOW 15
Mått:		
Höjd	26 cm	26 cm
Längd	62 cm	62 cm
Bredd	50 cm	50 cm
Vikt	11 kg	11 kg
Elsystem:		
Batteri, särskilt litiumjonbatteri	24 V/2,0 Ah, delnummer 211022355 / T0100607-00	24 V/2,0 Ah, delnummer 211022355 / T0100607-00
Strömförsörjning	220–240 V/32 V DC	220–240 V/32 V DC
Lågspänningskabelns längd	10 m	10 m
Genomsnittlig energiförbrukning vid maximal användning	8 kWh/månad för ett arbetsområde på 1 000 m ²	10 kWh/månad för ett arbetsområde på 1 500 m ²
Laddström	1,3 A DC	1,3 A DC
Genomsnittlig laddtid	140 minuter	70 minuter
Genomsnittlig klipptid	70 minuter	70 minuter
Buller: *)		
Uppmätt ljudeffektnivå **)	55 dB (A)	55 dB (A)
Garanterad ljudeffektnivå	57 dB (A)	57 dB (A)
Ljudtrycknivå ***)	44 dB (A)	44 dB (A)
Klippning:		
Klippsystem	Tre roterande knivar	Tre roterande knivar
Genomsnittlig strömförbrukning vid gräsklippning	25 W ± 20 %	25 W ± 20 %
Klipphöjd	2–6 cm	2–6 cm
Klippbredd	22 cm	22 cm
Smalast möjliga passage	60 cm	60 cm
Maximal lutning för klippområde	35 %	35 %
Maximal lutning för begränsningskabel	15 %	15 %
Maximal längd begränsningskabel	800 m	800 m
Kapningskapacitet****)	1 000 m ²	1 500 m ²
Rekommenderad ytkapacitet	0–700 m ²	500–1 200 m ²
IP-klassificering:		
Klippare	IPX5	IPX5
Laddstation	IPX3	IPX3
Strömförsörjning	IP67	IP67

RADIOFREKVENSDATABLAD

	LTE & GSM	Korthållssändare (SRD) (gränstråd)
Frekvensband	LTE-FDD: B1/B2/B3/B4/B5/B8/B12/B13/B18/ B19/B20/B25/B26/B27/B28/B66/B71/B85 GSM: 850/900/1800/1900 MHz	0~148.5KHz
Max. uteffekt (dBm)	LTE-FDD: 21 dBm +1.7/-3 dB GSM850/EGSM900: 33 dBm ±2 dB DCS1800/PCS1900: 30 dBm ±2 dB GSM850/EGSM900 (8-PSK): 27 dBm ±3 dB DCS1800/PCS1900 (8-PSK): 26 dBm ±3 dB	NA

*) Bullerdeklarationerna överensstämmer med EN 50636-2-107

**) osäkerheter KWA, 2 dB (A)

***) osäkerheter KPA, 2 dB (A)

****) Deklaration för kapningskapacitet uppfyller EGMF RLM004-1.0/2016.

CE-deklaration om överensstämmelse



Namn och adress till tillverkare:

Tillverkare: Globe Technologies Europe GmbH

Adress: Brunnenweg 17, 64331 Weiterstadt, Tyskland

Namn och adress till personen med behörighet att sammanställa den tekniska filen:

Namn: Ralf Pankalla

Adress: Brunnenweg 17, 64331 Weiterstadt, Tyskland

Härmed försäkras vi att produkten:

Kategori:	Robotgräsklippare
Modell:	Greenworks Optimow 10/ Greenworks Optimow 15
Serienummer:	Se produktens typskylt.
Serienr	Se produktens typskylt.

- är i överensstämmelse med relevanta bestämmelser i maskindirektivet 2006/42/EG
- är i överensstämmelse med bestämmelserna i följande andra direktiv:

- Elektromagnetisk kompatibilitet - Direktiv 2014/30/EU
- Radioutrustning - Direktiv 2014/53/EU
- Lågspänningsdirektivet 2014/35/EU
- Begränsningen av användningen av vissa farliga ämnen i elektriska och elektroniska produkter (RoHS-direktivet) 2011/65/EU & 2015/863/EU

- Dessutom försäkras vi att följande standarder har använts:

- EN 60335-1, EN 50636-2-107, EN 60335-2-29,
- EN 62233, EN 55014-1, EN 55014-2, EN 61000-3-2,
- EN 61000-3-3, EN 61558-1, EN 61558-2-16, EN 62311,
- EN 303 447, EN 303 413, EN 301 511,
- EN 301 489-1, EN 301 489-19, Draft ETSI EN 301 489-52,
- EN 62321-3-1, EN 62321-4, EN 62321-5, EN 62321-6,
- EN 62321-7-1, EN 62321-7-2, EN 62321-8

Ted Qu Haichao
Kvalitetschef
Weiterstadt, 26.06.2021

Ted Qu

SV

De følgende sidene inneholder sikkerhetsinstruksjoner, service og vedlikehold. For drift, se hurtigveiledningen som fulgte med maskinen.

Les og gå nøye gjennom alle sikkerhetsinstruksjoner, advarsler og forsiktighetsregler i denne håndboken.

Hvis du ikke følger disse anvisningene, kan det oppstå alvorlige personskader eller dødsfall for personer og kjæledyr eller skader på eiendom.

Hele bruksanvisningen er tilgjengelig på

Hjemmeside: <https://url.globetools.systems/ckCEA>

QR-kode:

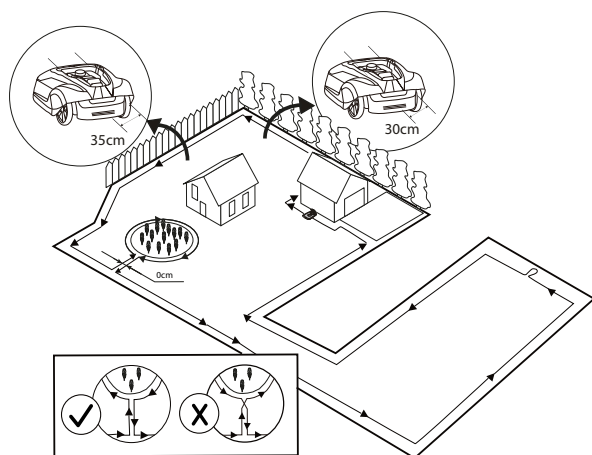
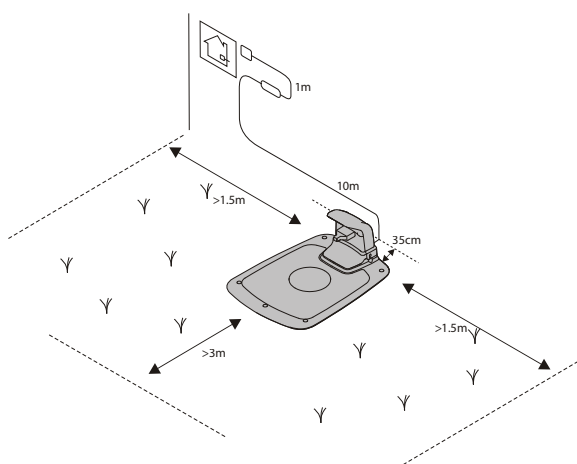
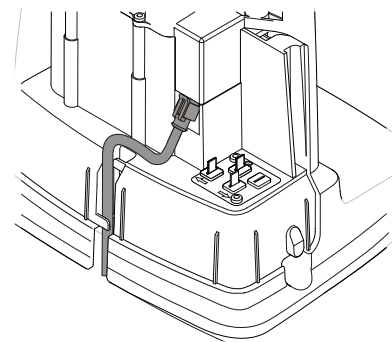
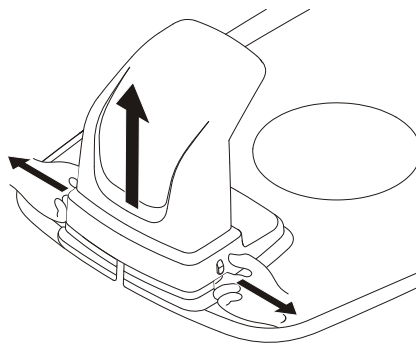


Innhold

Installasjon	93
Koble til strømforsyningen.....	93
Installere grensekabelen	93
Produktsikkerhet	94
Symbolforklaring.....	94
Lese brukerhåndboken.....	94
Sikker drift.....	96
Miljøvennlig produksjon	97
Problemløsning	98
LED-lamper på gressklipperen.....	98
Brudd i grense- og ledekabel.....	98
Tekniske data	99
CE-samsvarserklæring	100

Materiell, tekniske data og figurer i denne håndboken er ment å være veiledende og er ikke bindende. Produsenten forbeholder seg rett til å gjøre endringer i tekniske beskrivelser og i alle driftsfunksjoner, materiell, tekniske data eller figurer uten forutgående varslings.

Installasjon



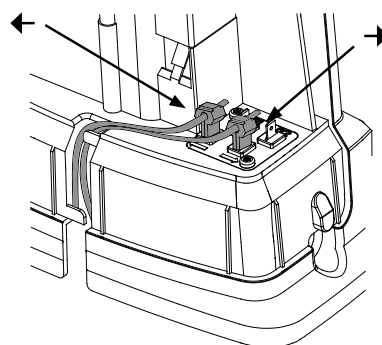
KOBLE TIL STRØMFORSYNINGEN

Koble til strømforsyningen i tørre og kjølige omgivelser uten direkte sollys.

Hvis strømforsyningen er tilkoblet en stikkontakt utendørs, må den være godkjent for utendørs bruk.

Lavspentkabelen kan krysse manøvreringsflaten hvis den er festet til bakken med plugger eller gravd ned.

FORSIKTIG: Lavspentkabelen må ikke kuttes, skjøtes eller endres på. Hvis du gjør endringer på lavspentkabelen, vil produktgarantien slutte å gjelde.



INSTALLERE GRENSEKABELEN

Legg sløyfekabelrullen på ladestasjonen.

Før grensekabelen tilbake rundt grensen for manøvreringsflaten, og fest kabelen enten ved hjelp av plugger eller grav den ned i bakken. Det anbefales å bruke plugger siden det da er mulig å gjøre tilpasninger etter noen ukers drift.

Når du fester grensekabelen med plugger:

- Klipp gresset veldig kort med en vanlig gressklipper eller kantklipper der kabelen skal legges.
- Legg grensekabelen på bakken og fest den med plugger som står tett.
- Bank eller hamre pluggene ned i bakken.

Ikke bank pluggene så langt ned i bakken at grensekabelen strekkes for mye.

Når du graver ned grensekabelen:

- Grav grensekabelen 1–20 cm ned i bakken.

Vennligst se den komplette manualen online for installasjon av guidekabelen.

NO

Produktsikkerhet

Som et tillegg til denne brukerhåndboken finnes det ytterligere informasjon på nettstedet: www.greenworkstools.eu

SYMBOLFORKLARING



Dette er et farlig elektroverktøy. Vær forsiktig når du betjener verktøyet, og følg alle sikkerhetsinstruksjoner og advarsler.

Les brukerhåndboken nøye før du bruker gressklipperen.



Ta ut sikkerhetsnøkkelen før du jobber med gressklipperen eller løfter den.



Det er fare for at gjenstander kan kastes ut under drift.

Stå på trygg avstand fra gressklipperen når den er i gang, og hold personer, særlig barn, kjæledyr og andre unna området der gressklipperen blir brukt.



Du må ikke sitte på gressklipperen.



Klasse III-apparat

LESE BRUKERHÅNDBOKEN

Følgende symboler er viktige når du skal lese og forstå instruksjonene for bruk.



Bruk vernehansker

Følgende layout brukes i håndboken for at den skal være lettere å forstå:

- **ADVARSEL!** Advarsler skal gjøre brukere og forbrukere oppmerksomme på hvilke farer som er knyttet til produktet, slik at de gjennom riktig atferd kan unngå skader når de bruker produktet.
- **FORSIKTIG:** Tekster merket "Forsiktig" skal gjøre brukere og forbrukere oppmerksomme på hvilke farer som er knyttet til produktet, slik at de gjennom riktig atferd kan unngå å skade produktet under bruk.
- **MERK:** Merknader gir brukere og forbrukere ytterligere opplysninger om bruken av produktet.
- Tekst med **fet og kursivert skrift** henviser til en annen del i brukerhåndboken.
- Tekst med **fet skrift** henviser til innstillinger på gressklipperen.

Product Safety

VIKTIG

LESES NØYE FØR BRUK! OPPBEVARES FOR REFERANSE VED BEHOV!

Opplæring

ADVARSEL! Automatisk robotklipper! Hold deg på avstand fra maskinen! Barn må holdes under oppsyn!

- Les instruksene nøye. Gjør deg kjent med betjeningsknappene og riktig bruk av maskinen.
- La aldri personer som ikke er kjent med disse instruksjonene, eller barn, bruke maskinen. Lokalt regelverk kan ha krav til aldersgrense for operatøren.
- Operatøren eller brukeren er ansvarlig for ulykker eller faresituasjoner som involverer andre mennesker eller deres eiendeler.

Forberedelse

- Sørg for riktig installasjon av grense- og ledekablene i henhold til anvisningene.
- Kontroller området der maskinen skal brukes med jevne mellomrom, og fjern alle stein, kvist, ståltråd, bein og andre fremmedlegemer.
- Kontroller med jevne mellomrom at kniver, knivskruer og komponenter ikke er blitt slitte eller ødelagte. Bytt ut alle slitte og ødelagte knivblad og skruer på en og samme tid for å få en jevn funksjon.

BETJENING

- Ikke bruk maskiner som har defekte verneskjermer eller ikke-eksisterende sikkerhetsanordninger, for eksempel kroppen, på plass.
- Ikke plasser hender eller føtter i nærheten av eller under roterende deler.
- Maskinen må ikke løftes eller fraktes mens motoren er i gang.
- Fjern (eller betjen) utkoblingsmekanismen fra maskinen
 - før du fjerner en blokkering
 - før du sjekker, rengjør eller utfører jobber på maskinen
- Ikke la maskinen gå uten tilsyn hvis du vet at kjæledyr, barn eller andre personer er i nærheten.

Vedlikehold og oppbevaring

- Sørg for at alle mutrer, bolter og skruer er godt festet slik at produktet fungerer forsvarlig.
- Slitte og ødelagte deler må byttes av sikkerhetsgrunner.
- Pass på at du bare bruker riktige typer reservekniver når du bytter dem ut.
- Sørg for at du bare lader batteriene med den riktige laderen som produsenten anbefaler. Feil bruk kan forårsake elektrisk sjokk, overoppheting eller lekkasje av etsende væske fra batteriet.
- Hvis det skulle oppstå elektrolyttlekkasje, skyller du med vann/nøytraliserende middel. Kontakt lege dersom væsken kommer i kontakt med øynene.
- Service på maskinen må gjøres i henhold til produsentens anvisninger.

ADVARSEL! For å lade opp batteriet, bruk kun den avtakbare forsyningseenheten som følger med dette apparatet.

ADVARSEL! Dette apparatet inneholder batterier som bare kan byttes ut av en fagmann.

Betjening

STARTE OG STOPPE GRESSKLIPPEREN

Slik starter du gressklipperen:

- 1 Sett inn sikkerhetsnøkkelen og roter den i retning mot klokken til posisjon "1".
- 2 Skyv låsen på **START** knappen bakover.
- 3 Trykk ned **START** knappen.

Slik stopper du gressklipperen:

Trykk på **STOP** knappen på gressklipperen.

SLÅ AV GRESSKLIPPEREN

Trykk på **STOP** knappen på gressklipperen og ta ut sikkerhetsnøkkelen.

ADVARSEL! Ta alltid ut sikkerhetsnøkkelen når du utfører vedlikehold eller må flytte gressklipperen.

NO

SIKKER DRIFT

Bruksanvisningen inneholder all nødvendig informasjon som gjelder sikker drift og riktig vedlikehold av gressklipperen.



Les sikkerhetsforanstaltningene og instruksene i denne håndboken nøye før du tar i bruk gressklipperen. Ta vare på denne håndboken til fremtidig referanse. Følg produsentens instruksjoner når det gjelder installasjon, drift, vedlikehold og reparasjon.

Denne gressklipperen er konstruert for å klippe gress på åpne og flate områder. Bruk bare utstyr som anbefales av produsenten. All annen bruk av utstyr er feil bruk.



Denne gressklipperen er i samsvar med CE-sikkerhetskravene og direktiver for elektromagnetisk kompatibilitet, maskiner og lavspenning.



Gressklipperen er ikke ment for bruk av personer (inkludert barn) med redusert fysisk, sensorisk eller mental kapasitet, eller med manglende erfaring og kunnskap, med mindre de har fått veiledning eller instruksjon i bruken av apparatet av en person som er ansvarlig for deres sikkerhet.

Barn må holdes under oppsyn så de ikke leker med apparatet.

Gressklipperen må bare betjenes, vedlikeholdes og repareres av personer som fullt ut forstår dens funksjoner og sikkerhetsregler.

Start gressklipperen som beskrevet i instruksjonene. Når sikkerhetsnøklene er i aktivert stilling, må hender og føtter holdes unna de roterende knivbladene.

Ikke plasser hender eller føtter under gressklipperen.

Ikke gjør endringer i gressklipperens originalkonstruksjon. Alle typer endringer medfører at garantien vil slutte å gjelde.

Skru av gressklipperen med STOP knappen når personer, særlig barn eller kjæledyr, befinner seg på klippeområdet. Det anbefales at gressklipperen programmeres til bruk i det tidsrommet da området ikke benyttes av personer eller kjæledyr.

Fjern gjenstander fra klippeområdet, for eksempel greiner, leker, steiner og verktøy som kan skade knivbladene. Gressklipperen kan sette seg fast i gjenstander på klippeområdet. Da kan det være nødvendig å hjelpe til med å fjerne gjenstanden før gressklipperen kan fortsette.

Ikke løft eller bær på gressklipperen når sikkerhetsnøkkelen står i.

Slå alltid av gressklipperen med STOP knappen når den ikke er i bruk. Gressklipperen kan bare starte når sikkerhetsnøkkelen er satt i og START knappen trykkes ned.

Den innebygde alarmen har et svært høyt volum. Vær forsiktig, særlig hvis gressklipperen blir håndtert innendørs.

Ikke bruk gressklipperen hvis et knivblad eller hoveddelen er defekt.

Ikke la personer bruke gressklipperen dersom de ikke vet hvordan den fungerer eller oppfører seg.

Ikke legg gjenstander oppå gressklipper eller ladestasjon.



Bruk alltid vernehansker når du håndterer knivbladene i gressklipperen.

Bytte batteriet

ADVARSEL! Hvis det skulle oppstå elektrolyttlekkasje, må du skylle med vann/nøytraliserende middel og kontakte lege hvis væsken kommer i kontakt med øynene.

Batteriladeren må bare lades i den originale ladestasjonen. Feil bruk kan forårsake elektrisk sjokk, overoppheting eller lekkasje av etsende væske fra batteriet.

Batteriet er vedlikeholdsfritt, men har en begrenset levetid på 2 til 4 år avhengig av sesongens lengde og hvor mange timer pr. dag gressklipperen brukes.

ADVARSEL! Trykk på STOP knappen og ta ut sikkerhetsnøkkelen før du bytter batterier. Bruk vernehansker.

FORSIKTIG: Bruk bare produsentens originaldeler.

Snu gressklipperen opp ned og ta ut de fire Torx T20-skrueene og fjern batteridekslet.

Koble fra batteripolene.

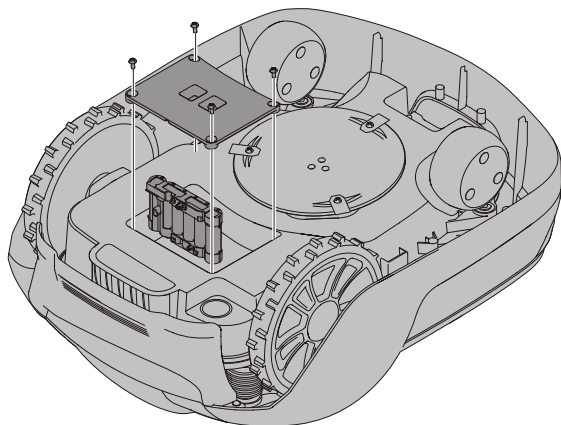
Løft batteriet rett ut.

Sett inn det nye batteriet i spor 1 (det bakre sporet).

Koble batteripolene til det nye batteriet.

Sett batteridekslet tilbake igjen, og sett inn og stram til de fire Torx T20-skrueene.

Sett sikkerhetsnøkkelen inn på undersiden av gressklipperen og vri til aktiveringsposisjonen. Plasser klipperen i ladestasjonen for å aktivere og lade batteriet.



Miljøvennlig produksjon

NO



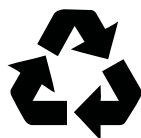
Ifølge direktiv 2012/19/EU og direktiv 2006/66/EC skal elektrisk og elektronisk utstyr som ikke lenger er brukbart, samt defekte eller brukte batteripakker/batterier samles inn separat og deponeres på en miljømessig korrekt måte.

Symbolet på gressklipperen og emballasjen angir at dette produktet ikke kan behandles som husholdningsavfall. Det må i stedet leveres til et passende returpunkt for resirkulering av de elektroniske komponentene og batteriene i produktet.

Batteriene er innkapslet i understellet til gressklipperen.

Ved å sikre at dette produktet blir håndtert på korrekt måte, kan du bidra til å motarbeide mulige negative belastninger på miljø og mennesker som ellers kan oppstå gjennom feil avfallshåndtering av produktet.

For mer detaljerte opplysninger om resirkulering av dette produktet, kontakt din kommune, ditt lokale renholdsverk eller butikken der du kjøpte varen.



Separat innsamling av brukte produkter og emballasje sørger for at materialene kan resirkuleres og brukes på nytt. Gjenbruk av resirkulerte materialer bidrar til å hindre miljømessig forurensning og reduserer behovet for råmaterialer.

Batteries

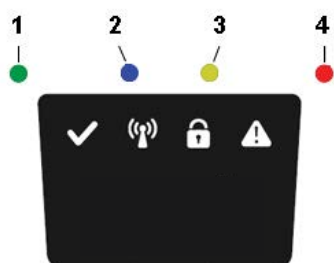


Når batteriet ikke lenger lar seg lade må det avhendes på en miljømessig forsvarlig måte: Batteriet inneholder materialer som er farlige for miljøet. Det må fjernes og avhendes separat på et sted som aksepterer mottak av litium-ion batterier.

Problemløsning

Denne delen presenterer noen symptomer som fungerer som veiledning, dersom gressklipperen ikke fungerer som forventet.

LED-LAMPER PÅ GRESSKLIPPEREN



LED	STATUS	BETYDNING	HANDLING
1. Drift (grønn)	Blinkende	Gjenopprettingsmodus	Plasser roboten i ladestasjonen i opptil 5 timer og vent til det grønne LED-lyset slutter å blinke. Hvis LED-lyset ikke slutter å blinke, bør du starte roboten på nytt utenfor ladestasjonen og prøve igjen.
	På	Gressklipper i driftsmodus (lader, parkert i ladestasjon, pauset, klipper eller søker)	
	Av	Gressklipperen stoppet med stop knappen på gressklipperen, sikkerhetsnøkkelen i deaktivert posisjon, gressklipperen i feil tilstand eller gressklipperen som venter på PIN-kode.	
2. Nettkobling (blått)	Blinker	Prøver å koble til internettserver	
	På	Koblet til internettserver	
	Av	Gressklipperen er ikke påslått	
3. Sikkerhet (gult)	Blinker	Godkjenning med PIN-kode nødvendig	... via mobilapp
	Av	Ingen PIN-kode nødvendig	Ingenting må gjøres
4. Feil (rødt)	Blinker	Gressklipperen har stoppet pga. feil	Sjekk årsaken til feilen og start gressklipperen på nytt ved å trykke på Start knappen.

BRUDD I GRENSE- OG LEDEKABEL

Brudd i grensekabelen og ledekabelen (hvis installert) skyldes vanligvis at det har oppstått en fysisk skade.

Kontroller hele grensekabelen fra ladestasjonen og tilbake igjen.

Kontroller ledekabelen (hvis installert) fra ladestasjonen til skjøtingen med grensekabelen.

Kontroller at alle koblinger er trykket godt sammen så det oppnås kontakt.

Tekniske data

	OPTIMOW 10	OPTIMOW 15
Dimensjoner:		
Høyde	26 cm	26 cm
Lengde	62 cm	62 cm
Bredde	50 cm	50 cm
Vekt	11 kg	11 kg
Elektrisk anlegg:		
Batteri, spesialbatteri litium-ion	24 V / 2,0 Ah, Del nr. 211022355 / T0100607-00	24 V / 2,0 Ah, Del nr. 211022355 / T0100607-00
Strømtilførsel	220-240 V/32 V DC	220-240 V/32 V DC
Lengde på lavspentkabel	10 m	10 m
Gjennomsnittlig energiforbruk ved maks. bruk	8 kWh/måned for et klippeområde på 1000 m ²	10 kWh/måned for et klippeområde på 1500 m ²
Ladestrøm	1.3 A DC	1.3 A DC
Gjennomsnittlig ladetid	140 minutter	70 minutes
Gjennomsnittlig klippetid	70 minutter	70 minutes
Støyutslipp: *)		
Målt lydeffektnivå **)	55 dB (A)	55 dB (A)
Garantert lydeffektnivå	57 dB (A)	57 dB (A)
Lydtryknivå ***)	44 dB (A)	44 dB (A)
Gressklipping:		
Klippesystem	Tre dreibare knivblad	Tre dreibare knivblad
Gjennomsnittlig strømforbruk under klipping	25 W ± 20%	25 W ± 20%
Klippehøyde	2-6 cm	2-6 cm
Klippebredde	22 cm	22 cm
Smalest mulig passasje	60 cm	60 cm
Maksimal skråning for skjæreområdet	35%	35%
Maksimal skråning for grenseledning	15%	15%
Maksimumslengde på grensekabel	800 m	800 m
Arbeidskapasitet****)	1,000 m ²	1,500 m ²
Anbefalt områdekapasitet	0 - 700 m ²	500 - 1,200 m ²
IP-klassifisering:		
Gressklipper	IPX5	IPX5
Ladestasjon	IPX3	IPX3
Strømtilførsel	IP67	IP67

NO

DATAARK FOR RADIOFREKVENS

	LTE & GSM	Kortdistanseenheter (SRD) (grensekabel)
Frekvensbånd	LTE-FDD: B1/B2/B3/B4/B5/B8/B12/B13/B18/ B19/B20/B25/B26/B27/B28/B66/B71/B85 GSM: 850/900/1800/1900 MHz	0~148.5KHz
Maks utgangseffekt (dBm)	LTE-FDD: 21 dBm +1.7/-3 dB GSM850/EGSM900: 33 dBm ±2 dB DCS1800/PCS1900: 30 dBm ±2 dB GSM850/EGSM900 (8-PSK): 27 dBm ±3 dB DCS1800/PCS1900 (8-PSK): 26 dBm ±3 dB	NA

*) Støyutslippdeklarasjonene samsvarer med EN 50636-2-107

**) usikkerhetsfaktorer KWA, 2 dB (A)

***) usikkerhetsfaktorer KPA, 2 dB (A)

****) Erklæring om arbeidskapasitet er i samsvar med EGMF RLM004-1.0/2016.

CE-samsvarserklæring



Navn og adresse til produsent:

Produsent: Globe Technologies Europe GmbH

Adresse: Brunnenweg 17, 64331 Weiterstadt, Tyskland

Navn og adresse til person med autorisasjon til å utarbeide teknisk fil:

Navn: Ralf Pankalla

Adresse: Brunnenweg 17, 64331 Weiterstadt, Tyskland

Vi erklærer herved at produktet:

Kategori:	Robotklipper
Modell:	Greenworks Optimow 10/ Greenworks Optimow 15
Serienummer:	Se typeetikett på produkt.
Serienummer	Se typeetikett på produkt.

- I samsvar med de relevante bestemmelsene i maskindirektivet 2006/42/EF
- Er i samsvar med bestemmelsene i følgende andre direktiver:

- Elektromagnetisk kompatibilitet - Direktiv 2014/30/EU
- Radioutstyr - Direktiv 2014/53/EU
- Lavspenningsdirektiv 2014/35/EU
- Begrensning av bruk av visse farlige stoffer

Stoffer i elektrisk og elektronisk

Utstyrsdirektiv 2011/65/EU og (EU) 2015/863

- Videre erklærer vi at følgende standarder er brukt:

- EN 60335-1, EN 50636-2-107, EN 60335-2-29,
- EN 62233, EN 55014-1, EN 55014-2, EN 61000-3-2,
- EN 61000-3-3, EN 61558-1, EN 61558-2-16, EN 62311,
- EN 303 447, EN 303413, EN 301511,
- EN 301 489-1, EN 301 489-19, Draft ESTI EN 301 489-52,
- EN 62321-3-1, EN 62321-4, EN 62321-5, EN 62321-6,
- EN 62321-7-1, EN 62321-7-2, EN 62321-8

Ted Qu Haichao
Kvalitetsdirektør

Weierstadt, 26.06.2021

Ted Qu

Følgende sider indeholder oplysninger om vejledninger, servicering og vedligeholdelse. Brugsvejledningerne findes i startvejledningen, der følger med maskinen.

Læs og gennemgå alle sikkerhedsanvisninger og advarsler og forsigtighedsregler indeholdt i denne manual og startvejledning.

Hvis disse anvisninger, advarsler og påbud ikke læses og følges, kan det medføre alvorlig tilskadekomst eller dødsfald for personer eller kæledyr eller skade på personlig ejendom.

Du kan finde hele brugsvejledningen på

Website: <https://url.globetools.systems/NjoAr>

QR-kode:

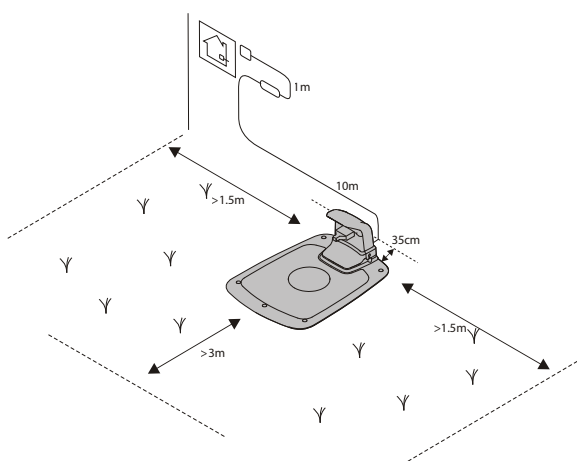
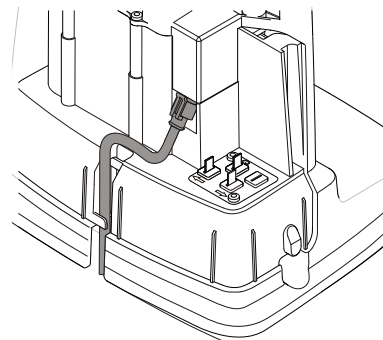
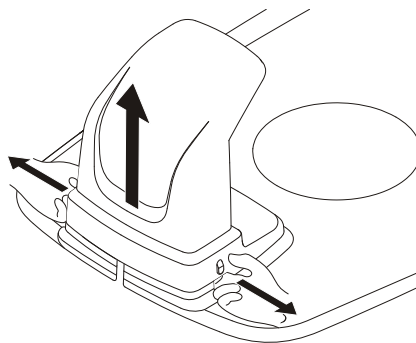


Indholdsfortegnelse

Installation	102
Tilslutning af strømforsyning	102
Udlægning af afgrænsningskabel	102
Produktsikkerhed	103
Forklaring af symboler på plæneklipperen	103
Læs brugervejledningen	103
Driftsmæssig sikkerhed	105
Miljøvenlig produktion.....	106
Fejlfinding	107
Indikator-LED'er på plæneklipperen.....	107
Brud på afgrænsningskabel og styrekabel	107
Tekniske data	108
EF-overensstemmelseserklæring	109

DA

Materialer, tekniske data og tal i denne manual er kun anført som vejledende, og er ikke bindende. Fabrikanten forbeholder sig ret til uden forudgående varsel at foretage ændringer i de tekniske egenskaber og driftsmæssige funktioner, materialer, tekniske data eller data



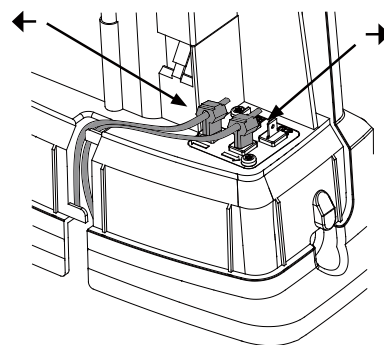
Tilslutning af strømforstyrning

Tilslut strømforstyrningen på et køligt, tørt sted, der ikke er i direkte sollys.

Hvis strømforstyrningen er sluttet til en stikkontakt udendørs, skal den være godkendt til udendørs brug.

Lavspændingskablet kan løbe hen over arbejdsområdet, hvis det holdes nede med bøjler eller nedgraves.

FORSIGTIG: Undlad at skære, splejse eller ændre lavspændingskablet. Ændring af lavspændingskablet vil medføre garantens bortfald.



Udlægning af afgrænsningskabel

Lad spolen med sløjfekabel ligge ved ladestationen.

Gå tilbage omkring afgrænsningen på arbejdsområdet, og sikr afgrænsningskablet enten med pløkker eller nedgravet i jorden. Det anbefales at bruge pløkker, da det giver mulighed for justering i de første par ugers drift.

Hvis afgrænsningskablet sikres med pløkker:

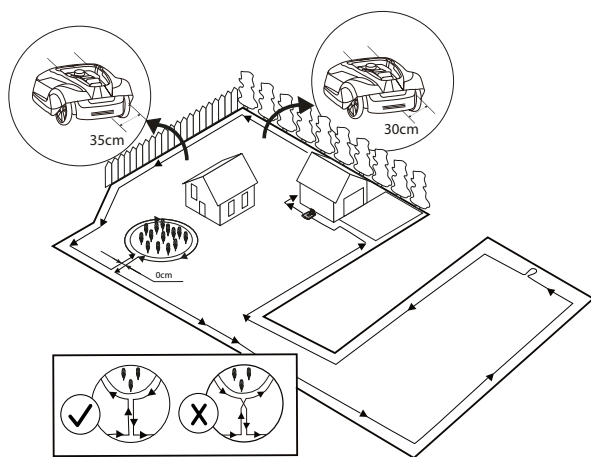
- Klip græsset meget kort med en almindelig plæneklipper eller en trimmer, hvor kablet skal lægges.
- Læg afgrænsningskablet på jorden, og sikr det med pløkke tæt på hinanden.
- Pløkkene trykkes eller hamres i jorden.

Skub ikke pløkkene så langt ned i jorden, at de trykker på afgrænsningskablet.

Hvis afgrænsningskablet nedgraves:

- Grav afgrænsningskablet 1-20 cm ned i jorden.

Du kan se, hvordan kablet monteres i vejledningen online.



Som supplement til denne brugerhåndbog er der flere oplysninger tilgængelige på webstedet: www.greenworkstools.eu

Forklaring af symboler på plæneklipperen



Det er et farligt ældre værktøj. Udvis forsigtighed når der arbejdes, og følg alle sikkerhedsanvisninger og -advarsler.

Læs brugervejledningen omhyggeligt før betjening af plæneklipperen.



Tag sikkerhedsnøglen ud, før du begynder at arbejde på eller løfte plæneklipperen.



Fare for udslyngede genstande under drift.

Hold sikker afstand til plæneklipperen under drift, og hold mennesker, især børn, kæledyr og tilskuere væk fra det område, hvor plæneklipperen kører.



Sid ikke på plæneklipperen.



Klasse III-apparat

Læs brugervejledningen

Følgende symboler er vigtige for læsning og forståelse af betjeningsanvisningerne.



Brug beskyttelseshandsker

Følgende system anvendes i brugervejledningen for at lette forståelsen:

- **ADVARSEL!** Advarselstekster fortæller brugere og forbrugere, at der kan være risici og om arten af disse, således at ulykker kan undgås ved hensigtsmæssig adfærd under brugen af produktet.
- **FORSIGTIG:** Tekster om forsigtighed fortæller brugere og forbrugere, at der kan være produktrisici og om arten af disse, således at det undgås at beskadige produktet ved hensigtsmæssig adfærd under brugen af det.
- **BEMÆKNING:** Bemærkninger giver brugere og forbrugere supplerende oplysninger om produktets anvendelse.
- Tekst skrevet med **fed kursiv** refererer til et andet afsnit i brugervejledningen.
- Tekst skrevet med **fed** angiver indstillinger på plæneklipperen.

Produktsikkerhed

VIGTIGT

LÆS GRUNDIGT INDEN BRUG! GEMTIL SENERE BRUG!

Undervisning

ADVARSEL! Automatisk plæneklipper! Hold afstand til maskinen! Hold opsyn med børn!

- Læs anvisningerne grundigt. Bliv fortrolig med alle knapper og håndtag og den korrekte brug af apparatet.
- Lad aldrig personer, der ikke kender disse anvisninger, eller børn bruge maskinen. Lokale forskrifter kan sætte aldersgrænser for en operatør.
- Ejeren eller brugeren er ansvarlig, hvis andre personer eller andres ejendom udsættes for ulykke eller fare.

Forberedelse

- Sikr korrekt montering af kant- og styrekablet, som anvist.
- Undersøg med jævne mellemrum området, hvor maskinen skal bruges, og fjern evt. sten, pinde, ledninger, hundeben og andre fremmedlegemer.
- Efterse med jævne mellemrum, om der er slid og skader på knivene, knivenes bolte og skæreenheden. Nedslidte eller beskadigede klinger og bolte skal skiftes på samme tid, så balancen opretholdes.

Generelt

- Brug aldrig maskinen med defekte afskærmninger eller uden sikkerhedsudstyr, som fx kabinettet, på plads.
- Hænder eller fødder må ikke komme i nærheden af eller under roterende dele.
- Løft eller bær aldrig på en maskine, mens motoren kører.
- Fjern (eller betjen) deaktiveringsanordningen fra maskinen
 - før fjernelse af en blokering;
 - før kontrol, rengøring eller arbejde på maskinen.
- Lad aldrig maskinen køre uden opsyn, hvis du ved, at der er kæledyr eller personer i alle aldre i nærheden.

Vedligeholdelse og opbevaring

- Hold alle møtrikker, bolte og skruer stramme for at være sikker på, at maskinen er i sikker driftsmæssig stand.
- Udskift for en sikkerheds skyld slidte eller beskadigede dele.
- Sørg for, at de skærende dele kun udskiftes med den rigtige type.
- Sørg for, at batterierne oplades ved hjælp af den korrekte lader anbefalet af fabrikanten. Forkert brug kan medføre elektrisk stød, overophedning eller udsivning af ætsende væske fra batteriet.
- I tilfælde af udsivning af elektrolyt: Skyl med vand eller andet neutraliserende middel. Søg lægehjælp, hvis elektrolytten kommer i øjnene osv.
- Udførelse af service på maskinen skal ske i overensstemmelse med fabrikantens anvisninger.

ADVARSEL! Brug kun den aftagelige forsyningsenhed, der følger med apparatet, når batteriet oplades.

ADVARSEL! Dette apparat indeholder batterier, der kun kan udskiftes af en fagmand.

Betjening

Start og stop af plæneklipper

Sådan startes plæneklipperen::

- 1 Sæt sikkerhedsnøglen i, og drej mod uret til stilling "1".
- 2 Skub låsen på **start knappen** bagud.
- 3 Tryk ned på **START** knappen.

Sådan stoppes plæneklipperen:

Tryk på plæneklipperens **STOP** knap.

Frakobling af plæneklipperen

Tryk på plæneklipperens **STOP** knap, og tag sikkerhedsnøglen ud.

ADVARSEL! Tag altid sikkerhedsnøglen ud under vedligeholdelse, eller hvis maskinen skal flyttes.

Produktsikkerhed

Driftsmæssig sikkerhed

Denne brugervejledning indeholder alle de grundlæggende oplysninger om sikker betjening og vedligeholdelse af plæneklipperen.



Læs omhyggeligt alle sikkerhedsadvarsler og -anvisninger i denne vejledning inden brug af plæneklipperen. Gem denne brugervejledning til senere brug. Følg fabrikantens anvisninger vedrørende installation, drift, vedligeholdelse og reparation.

Denne plæneklipper er designet til at slå græs på åbne og jævne områder. Brug kun udstyr godkendt af fabrikanten. Alle andre anvendelsestyper er forkerte.



Denne plæneklipper opfylder CE-mærkningsstandarderne og direktiverne vedrørende elektromagnetisk kompatibilitet, maskiner og lavspænding.



Plæneklipperen er ikke beregnet til brug af personer (herunder børn) med nedsat fysisk, sensorisk eller psykisk funktionsevne, eller manglende erfaring og viden, medmindre de er blevet vejledt eller instrueret i brugen af apparatet af en person med ansvar for deres sikkerhed.

Børn bør overvåges, for at sikre, at de ikke leger med apparatet.

Plæneklipperen må kun betjenes, vedligeholdes og repareres af personer, som forstår dens særlige karakteristika og sikkerhedsforskrifter.

Start plæneklipperen i overensstemmelse med anvisningerne. Når sikkerhedsnøglen er i aktiveret stilling: hold hænder og fødder væk fra de roterende knive.

Stik aldrig hænder og fødder ind under plæneklipperen.

Lav aldrig om på plæneklipperens originale design. Alle ændringer resulterer i garantiens bortfald.

Sluk for plæneklipperen med STOP knappen på plæneklipperen, hvis der er personer, især børn eller kæledyr i arbejdsområdet. Det anbefales at programmere plæneklipperen til at arbejde, når området er ryddet for personer eller kæledyr.

Fjern genstande fra området, såsom grene, legetøj, sten, redskaber, der kan beskadige knivene. Plæneklipperen kan køre fast på genstande i arbejdsområdet, og det kan være nødvendigt at fjerne genstanden, før plæneklipperen kan fortsætte med arbejdet.

Løft eller bær aldrig plæneklipperen med sikkerhedsnøglen isat.

Sluk altid plæneklipperen ved hjælp af STOP knappen, når plæneklipperen ikke er i brug. Plæneklipperen kan kun starte, når sikkerhedsnøglen er isat, og der trykkes på start knappen.

Den indbyggede alarm giver en meget kraftig lyd. Vær forsigtig, især hvis plæneklipperen håndteres indendørs.

Brug ikke slåmaskinen med defekt knivskive eller kabinet.

Overlad ikke brugen af plæneklipperen til personer, der ikke ved, hvordan den arbejder og opfører sig.

Placér ikke noget ovenpå plæneklipperen eller ladestationen.



Bær altid beskyttelseshandsker, når der arbejdes med plæneklipperens knive.

Udskiftning af batteriet

ADVARSEL! I tilfælde af udsivning af elektrolyt: Skyl med vand eller andet neutraliserende middel. Søg lægehjælp, hvis elektrolytten kommer i øjnene osv.

Brug kun den originale ladestation til opladning af batteriet. Forkert brug kan medføre elektrisk stød, overophedning eller udsivning af ætsende væske fra batteriet.

Batteriet er vedligeholdelsesfrit, men har en begrænset levetid på 2 til 4 år afhængigt af sæsonens længde, og hvor mange timer om dagen plæneklipperen anvendes.

ADVARSEL! Tryk på stop knappen, og tag sikkerhedsnøglen ud før udskiftning af batterier. Husk beskyttelseshandsker.

FORSIGTIG: Brug kun originale reservedele.

Vend plæneklipperen med bunden i vejret, og fjern de 4 Torx T20-skruer, og tag batteridækslet af.

Tag stikkene på batteriklemmen af.

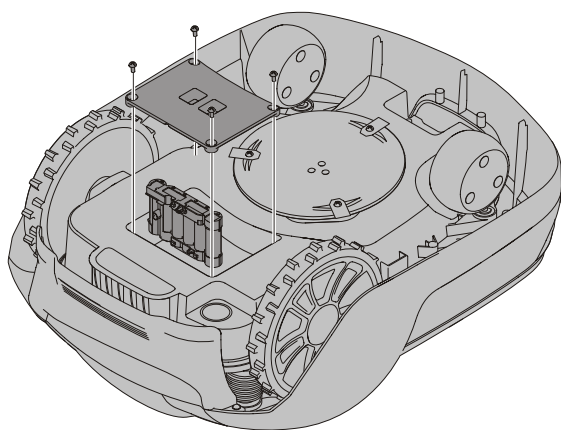
Løft batteriet lige ud.

Sæt det nye batteri ned i batteriholder 1 (den bagerste).

Sæt stikkene på batteriklemmen på.

Sæt batteridækslet på igen, og sæt de fire Torx T20-skruer i og stram dem.

Sæt sikkerhedsnøglen i på undersiden af plæneklipperen, og drej den, så den slås til. Sæt plæneklipperen i ladestationen for, at aktivere batteriet og lade det op.



Miljøvenlig produktion

DA



Ifølge EU-direktiv 2012/19/EU og EU-direktiv 2006/66/EC skal henholdsvis elektrisk og elektronisk udstyr, der ikke længere er brugbart, og defekte eller brugte batterier / batteripakker indsamles særskilt og bortskaffes på miljørigtig måde.

Symbolet på plæneklipperen eller emballagen betyder, at produktet ikke kan behandles som husholdningsaffald. Det skal i stedet afleveres på et egnet genbrugscenter, så de elektroniske komponenter og batterier kan blive genbrugt/genanvendt.

Batterierne sidder i chassiset under plæneklipperen.

Ved at sikre, at produktet håndteres korrekt, bidrager du til at modvirke eventuelle negative virkninger på miljøet og mennesker, der kan opstå ved forkert affaldshåndtering af produktet.

For yderligere oplysninger om genbrug/genanvendelse af dette produkt bedes du kontakte din kommune, affaldsselskabet eller den butik, hvor du købte produktet.



Separat indsamling af brugte produkter og emballage, tillader genbrug af materialer. Genbrug af genanvendte materialer hjælper med at forhindre forurening af miljøet og reducerer efterspørgslen efter råmaterialer.

Batteries

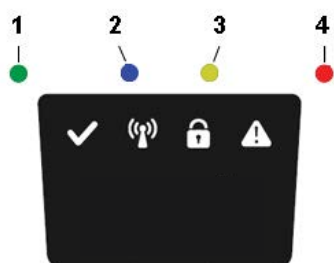


Ved afslutningen af deres levetid, skal batterierne bortskaffes på en miljømæssig korrekt måde. Batteriet indeholder materialer, som er skadelige for dig selv og for miljøet. De skal udtages og bortskaffes separat ved et indsamlingspunkt, der accepterer lithiumionbatterier.

Fejlfinding

I dette afsnit præsenteres også nogle symptomer på fejl, der kan vejlede dig, hvis plæneklipperen ikke fungerer som forventet.

Indikator-led'er på plæneklipperen



LED	STATUS	BETYDNING	HANDLING
1. I drift (grøn)	Blinker	Gendannelsesfunktion	Sæt robotten i opladestationen i op til 5 timer og vent indtil den grønne lysindikator holder op med at blinke. Hvis lysindikatoren ikke holder op med at blinke, skal du genstarte robotten uden for opladestationen og prøve igen.
	Tænd	Plæneklipperen er i drift (oplader, parkeret i opladestationen, på pause, slår græs eller søger)	
	Sluk	Plæneklipperen blev stoppet med stop knappen på plæneklipperen, sikkerhedsnøglen står på deaktiveret, plæneklipperen er i fejltilstand eller plæneklipperen venter på en pinkode.	
2. Opkobling (blå)	Blinker	Forsøger at koble sig på internetserver	
	Tændt	Tilsluttet til internetserver	
	Slukket	Plæneklipper ikke i "Tændt tilstand"	
3. Sikkerhed (gul)	Blinker	Godkendelse med PIN-kode påkrævet	... via mobilapp
	Slukket	Ingen PIN påkrævet	Ingen handling påkrævet
4. Fejl (rød)	Blinker	Plæneklipper stoppet med fejl	Undersøg årsagen til fejlen, og genstart ved at trykke på plæneklipperens start knap .

DA

Brud på afgrænsningskabel og styrekabel

Brud på afgrænsningskabel og styrekabel (hvis installeret), skyldes normalt utilsigtet fysisk beskadigelse.

Efterse hele afgrænsningskablet fra ladestationen og tilbage igen.

Efterse styrekablet (hvis installeret) fra ladestationen til samleren i afgrænsningskablet.

Kontrollér, at alle samlinger er ordentligt trykket ned for at skabe forbindelse.

Tekniske data

	OPTIMOW 10	OPTIMOW 15
Mål:		
Højde	26 cm	26 cm
Længde	62 cm	62 cm
Bredde	50 cm	50 cm
Vægt	11 kg	11 kg
Elektrisk system:		
Batteri, lithium-ion-specialbatteri	24 V / 2,0 Ah, del nr. 211022355 / T0100607-00	24 V / 2,0 Ah, del nr. 211022355 / T0100607-00
Strømforsyning	220-240 V/32 V DC (jævnstrøm)	220-240 V/32 V DC
Længde på lavspændingskabel	10 m	10 m
Gennemsnitlig energiforbrug ved maks. anvendelse	8 kWh/måned for et arbejdsområde på 1,000 m ²	10 kWh/måned for et arbejdsområde på 1,500 m ²
Opladningsspænding	1,3 A DC (jævnstrøm)	1.3 A DC
Gennemsnitlig opladningstid	140 minutter	70 minutter
Gennemsnitlig arbejdstid	70 minutter	70 minutter
Støjemissioner: *)		
Målt lydeffektniveau **)	55 dB (A)	55 dB (A)
Garanteret lydeffektniveau	57 dB (A)	57 dB (A)
Lydtrykniveau ***)	44 dB (A)	44 dB (A)
Græsslåning:		
Klippesystem	Tre roterende knive	Tre roterende knive
Gennemsnitligt strømforbrug under klipning	25 W ± 20 %	25 W ± 20%
Klippehøjde	2-6 cm	2-6 cm
Klippebredde	22 cm	22 cm
Smallest mulige passage	60 cm	60 cm
Arbejdsområdets maksimale hældning	35%	35%
Kantkablets maksimal hældning	15%	15%
Maksimal længde af afgrænsningskabel	800 m	800 m
Driftskapacitet****)	1,000 m ²	1,500 m ²
Anbefalet dækningsområde	0 - 700 m ²	500 - 1,200 m ²
IP-klasse:		
Plæneklipper	IPX5	IPX5
Ladestation	IPX3	IPX3
Strømforsyning	IP67	IP67

Radiofrekvens-dataark

	LTE & GSM	Enheder med kort rækkevidde (SRD) (Kantkabel)
Frekvensbånd	LTE-FDD: B1/B2/B3/B4/B5/B8/B12/B13/B18/ B19/B20/B25/B26/B27/B28/B66/B71/B85 GSM: 850/900/1800/1900 MHz	0~148.5KHz
Maks. udgangseffekt (dBm)	LTE-FDD: 21 dBm +1.7/-3 dB GSM850/EGSM900: 33 dBm ±2 dB DCS1800/PCS1900: 30 dBm ±2 dB GSM850/EGSM900 (8-PSK): 27 dBm ±3 dB DCS1800/PCS1900 (8-PSK): 26 dBm ±3 dB	NA

*) Erklæringerne om støjemissioner efterlever EN 50636-2-107

**) usikkerheder KWA, 2 dB (A)

***) usikkerheder KPA, 2 dB (A)

****) Erklæringen om produktets driftskapacitet er i overensstemmelse med EGMF RLM004-1.0/2016.

EF-overensstemmelseserklæring



Navn og adresse på fabrikant

Fabrikant: Globe Technologies Europe GmbH

Adresse: Brunnenweg 17, 64331 Weiterstadt, Tyskland

Navn og adresse på personen med bemyndigelse til udarbejdelse af den tekniske fil:

Navn: Ralf Pankalla

Adresse: Brunnenweg 17, 64331 Weiterstadt, Tyskland

Vi erklærer herved, at produktet:

Kategori:	Robotplæneklipper
Model:	Greenworks Optimow 10/ Greenworks Optimow 15
Serienummer:	Se produktets typemærkat.
Serienummer	Se produktets typemærkat.

- Er i overensstemmelse med de relevante bestemmelser i maskindirektivet 15/EF.
- Er i overensstemmelse med bestemmelserne i følgende andre direktiver

- Elektromagnetisk kompatibilitet - Direktiv 2014/30/EU
- Radioudstyr - Direktiv 2014/53/EU
- Lavspændingsdirektiv 2014/35/EU
- Begrænsning af brugen af bestemte farlige stoffer

Direktivet for stoffer i elektrisk og elektronisk udstyr (RoHS) 2011/65/EU & (EU) 2015/863

- Desuden erklærer vi, at følgende standarder er blevet brugt:

- EN 60335-1, EN 50636-2-107, EN 60335-2-29,
- EN 62233, EN 55014-1, EN 55014-2, EN 61000-3-2,
- EN 61000-3-3, EN 61558-1, EN 61558-2-16, EN 62311,
- EN 303 447, EN 303 413, EN 301 511,
- EN 301 489-1, EN 301 489-19, Draft ESTI EN 301 489-52,
- EN 62321-3-1, EN 62321-4, EN 62321-5, EN 62321-6,
- EN 62321-7-1, EN 62321-7-2, EN 62321-8

Ted Qu Haichao
Kvalitetsdirektør
Weiterstadt, 26.06.2021

Ted Qu

DA

Na dalszych stronach podane są instrukcje dotyczące obsługi i bezpieczeństwa. W celu obsługi zapoznaj się ze skróconą instrukcją dołączoną do urządzenia.

Prosimy uważnie przeczytać i przestudiować wszystkie zalecenia dotyczące bezpieczeństwa, ostrzeżenia i uwagi podane w niniejszym podręczniku i skróconej obsługi.

W przypadku nieprzeczytania lub nieprzestrzegania instrukcji, ostrzeżeń i uwag zawierających przestrogi, może dojść do ciężkich urazów ciała lub śmierci osób lub zwierząt domowych, bądź do zniszczenia własności prywatnej.

Pełna instrukcja obsługi znajduje się na

stronie WWW: <https://url.globetools.systems/peB8l>

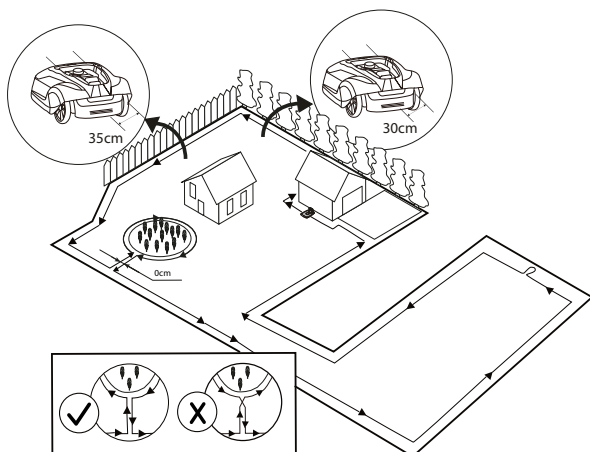
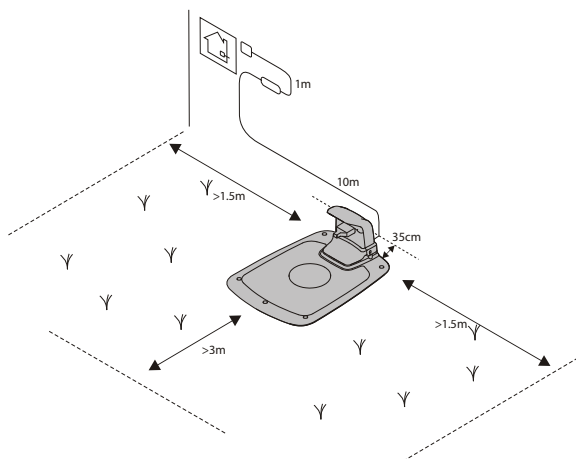
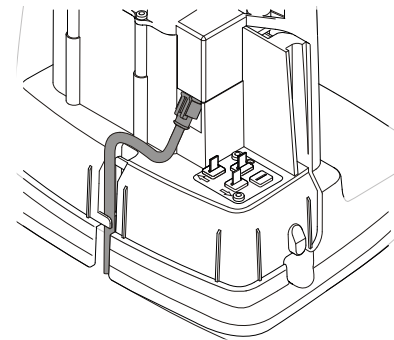
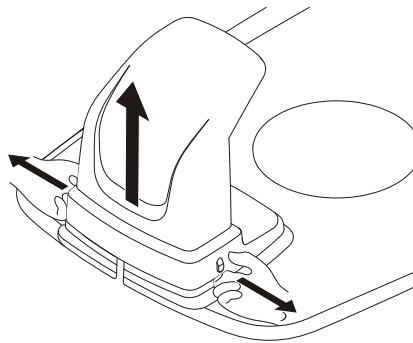
Kod QR:



Spis treści

Instalacja.....	111
Podłączenie zasilania	111
Instalowanie przewodu granicznego	111
Bezpieczeństwo urządzenia.....	112
Wyjaśnienie symboli widniejących na kosiarce	112
Czytanie instrukcji obsługi	112
Bezpieczeństwo podczas użytkowania	114
Ochrona środowiska	115
Rozwiązywanie problemów	116
Kontrolka LED na kosiarce	116
Przerwanie przewodu granicznego i przewodu prowadzącego.....	116
Dane techniczne.....	117
Deklaracja zgodności WE	118

Materiały, dane techniczne i rysunki podane w niniejszym podręczniku mają charakter wyłącznie poglądowy i nie są wiążące. Producent zastrzega sobie prawo do wprowadzania zmian w zakresie parametrów technicznych i wszystkich funkcji użytkowych, materiałów, danych technicznych lub rysunków bez wcześniejszego powiadomienia.

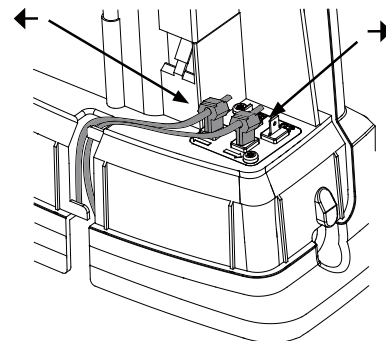


PODŁĄCZENIE ZASILANIA

Zasilanie należy podłączać w chłodnym i suchym miejscu, osłoniętym przed bezpośrednim światłem słonecznym.

Jeżeli zasilacz jest podłączony do kontaktu elektrycznego znajdującego się na zewnątrz, musi on posiadać zatwierdzenie do używania na dworze. Kabel niskonapięciowy może przecinać strefę koszenia, pod warunkiem jednak, że będzie przytwierdzony do podłoża lub zakopany w ziemi.

OSTROŻNIE: Kabla niskonapięciowego nie wolno przecinać, sztukać ani przerabiać. Wszelkie przeróbki kabla niskonapięciowego powodują utratę gwarancji na produkt.



INSTALOWANIE PRZEWODU GRANICZNEGO

Położyć szpulę z przewodem pętli przy stacji ładowania.

Wrócić wzdłuż granicy strefy pracy i zamocować przewód graniczny bądź kołków, bądź przez zakopanie w ziemi. Zaleca się używanie kołków, ponieważ umożliwiają one wprowadzenie drobnych korekt po pierwszych kilku tygodniach użytkowania.

Gdy przewód graniczny będzie zamocowany kołkami, należy:

- W miejscach, gdzie ma być ułożony przewód, skosić trawę bardzo nisko standardową kosiarką lub podkaszarką.
- Poprowadzić przewód graniczny po ziemi i zamocować go kołkami.
- Wbić kołki w ziemię za pomocą młotka.

Na tym etapie nie należy jeszcze wciskać kołków na tyle głęboko, aby naciągały one przewód graniczny.

Gdy przewód graniczny będzie zakopany, należy:

- Zakopać przewód graniczny na głębokości 1-20 cm pod ziemią. Wskazówki dotyczące instalacji przewodu prowadzącego są dostępne online w pełnej instrukcji obsługi.

Bezpieczeństwo urządzenia

Jako uzupełnienie niniejszej instrukcji obsługi, więcej informacji znaleźć można na stronie: www.greenworkstools.eu

WYJAŚNIENIE SYMBOLI WIDNIEJĄCYCH NA KOSIARCE



To elektronarzędzie jest niebezpieczne. Podczas użytkowania należy zachowywać ostrożność, należy stosować się do wszystkich instrukcji dotyczących bezpieczeństwa i ostrzeżeń.

Przed rozpoczęciem używania kosiarki należy uważnie przeczytać instrukcję obsługi.



Przed wykonaniem jakichkolwiek prac przy kosiarce oraz przed podniesieniem kosiarki należy wyjąć z niej kluczyk zabezpieczający.



Uwaga na przedmioty wyrzucane w czasie pracy.

Podczas użytkowania należy utrzymywać bezpieczną odległość od kosiarki. Należy pilnować, aby osoby postronne, a zwłaszcza dzieci, a także zwierzęta znajdowały się poza strefą pracy kosiarki.



Na kosiarce nie wolno jeździć.



Urządzenie klasy III

CZYTANIE INSTRUKCJI OBSŁUGI

Podczas czytania, dla zrozumienia instrukcji obsługi ważne są następujące symbole.



Noś rękawice ochronne

W niniejszej instrukcji obsługi, w celu ułatwienia jej zrozumienia, stosowane są następujące konwencje:

- **OSTRZEŻENIE!** Teksty ostrzeżeń zwracają uwagę użytkowników i konsumentów na występowanie i charakter zagrożeń, aby poprzez odpowiednie postępowanie w czasie użytkowania urządzenia można było zapobiec urazom.
- **OSTROŻNIE:** Teksty przestróg zwracają uwagę użytkowników i konsumentów na występowanie i charakter elementów ryzyka dotyczących urządzenia, aby poprzez odpowiednie postępowanie w czasie użytkowania urządzenia można było zapobiec jego uszkodzeniu.
- **UWAGA:** Uwagi podają użytkownikom i konsumentom dodatkowe informacje dotyczące użytkowania urządzenia.
- Tekst zapisany **pogrubioną kursywą** odsyła czytelnika do innej części instrukcji obsługi.
- Tekst zapisany **czcionką pogrubioną** odsyła czytelnika do ustawień kosiarki.

Bezpieczeństwo urządzenia

WAŻNE

PRZED UŻYCIEM UWAGNIE PRZECZYTAJ! ZACHOWAJ NA PRZYSZŁOŚĆ!

Szkolenie

OSTRZEŻENIE! Kosiarka automatyczna! Trzymaj się z dala od maszyny! Pilnuj dzieci!

- Prosimy uważnie przeczytać instrukcję. Należy zapoznać się z elementami sterującymi i metodami poprawnej obsługi urządzenia.
- Nigdy nie należy pozwalać używać urządzenia osobom nieobeznającym z niniejszą instrukcją lub dzieciom. Przepisy miejscowe mogą nakładać ograniczenia dotyczące wieku operatora.
- Za wypadki lub szkody wyrządzone osobom trzecim i ich własności odpowiada operator lub użytkownik.

Przygotowanie

- Należy dopilnować, aby przewodu graniczne i prowadzące zostały prawidłowo zainstalowane.
- Teren, na którym będzie używane urządzenie, należy okresowo dokładnie sprawdzać. Wszystkie kamienie, patyki, druty, kości i inne przedmioty należy usunąć.
- Okresowo należy kontrolować narzędzie wzrokowo, aby upewnić się, czy ostrza, śruby mocujące ostrza i moduł tnący nie są zużyte lub uszkodzone. Aby zachować równowagę narzędzia, zużyte lub uszkodzone ostrza i śruby należy wymieniać całymi kompletami.

Użytkowanie

- Nigdy nie należy używać urządzenia z uszkodzonymi osłonami lub bez elementów zabezpieczających, np. bez obudowy.
- Nie należy kłaść dłoni ani stawiać stóp w pobliżu obracających się części lub pod nimi.
- Nigdy nie należy podnosić lub przenosić maszyny z włączonym silnikiem.
- Urządzenie blokujące należy wyjmować z maszyny lub załączać:
 - gdy urządzenie jest zapchane, przed jego czyszczeniem;
 - przed kontrolą, czyszczeniem i pracami przy urządzeniu.
- Jeśli wiadomo, że w pobliżu przebywają zwierzęta domowe, dzieci lub osoby postronne, nie należy zostawiać pracującej maszyny bez nadzoru.

Konserwacja i przechowywanie

- Należy dbać o to, aby wszystkie nakrętki, śruby i wkrety były dokręcone, tak aby maszyna działała w sposób całkowicie bezpieczny.
- Z uwagi na bezpieczeństwo, zużyte lub uszkodzone części należy wymieniać.
- Należy pilnować, aby jako części zamienne elementów tnących używane były tylko element tnące odpowiedniego typu.
- Należy pilnować, a
 - by akumulatory były ładowane za pomocą odpowiedniej ładowarki zalecanej przez producenta. Niewłaściwe użytkowanie grozi porażeniem prądem, przegrzaniem lub wyciekami z akumulatora żrącego elektrolitu.
 - W przypadku wycieku elektrolitu, zabrudzone miejsce należy przemyć wodą/środkiem neutralizującym, a jeśli elektrolit dostanie się do oczu, należy zasięgnąć porady lekarza.
- Maszynę należy serwisować zgodnie z instrukcjami producenta.

OSTRZEŻENIE! By naładować baterie, używać tylko zdejmowanej jednostki zasilającej załączonej do tego urządzenia.

OSTRZEŻENIE! To urządzenie zawiera baterie, które mogą być wymieniane tylko przez wykwalifikowaną osobę.

Użytkowanie

WŁĄCZANIE I ZATRZYMYWANIE KOSIARKI

Aby włączyć kosiarkę, należy:

- 1 Włożyć kluczyk zabezpieczający i przekręcić w lewo w pozycję „1”.
- 2 Przesunąć zasuwkę przycisku **START** do tyłu.
- 3 Wcisnąć przycisk **START**.

Aby zatrzymać kosiarkę, należy:

Nacisnąć przycisk **STOP** w kosiarce.

WYŁĄCZANIE KOSIARKI

Należy nacisnąć przycisk **STOP** w kosiarce i wyjąć kluczyk zabezpieczający.

OSTRZEŻENIE! Przed wykonaniem jakichkolwiek prac konserwacyjnych przy kosiarce oraz przed przestawieniem kosiarki należy wyjąć z niej kluczyk zabezpieczający.

Bezpieczeństwo urządzenia

BEZPIECZEŃSTWO PODCZAS UŻYTKOWANIA

Niniejsza instrukcja zawiera wszystkie podstawowe informacje dotyczące bezpiecznego użytkowania i konserwowania kosiarki.



Przed przystąpieniem do używania kosiarki należy uważnie przeczytać wszystkie zalecenia dotyczące bezpieczeństwa i wskazówki podane w niniejszej instrukcji. Prosimy zachować tę instrukcję na przyszłość. W kwestiach dotyczących instalacji, obsługi, konserwacji i naprawy należy przestrzegać instrukcji producenta.

Ta kosiarka jest przeznaczona do koszenia trawy na otwartych i równych powierzchniach. Należy w niej używać wyłącznie osprzętu zalecanego przez producenta. Wkłącza się możliwość jakichkolwiek innych zastosowań.



Ta kosiarka spełnia normy bezpieczeństwa CE i dyrektywy w sprawie kompatybilności elektromagnetycznej, maszyn i niskiego napięcia.



Tej kosiarki nie powinny używać osoby (w tym dzieci) o ograniczeniach fizycznych, czuciowych lub psychicznych, ani osoby bez odpowiedniego doświadczenia lub wiedzy, chyba że opiekun odpowiedzialny za ich bezpieczeństwo nadzoruje wykonywane przez nie czynności lub poinstruował je wcześniej na temat obsługi urządzenia.

Aby nie dopuścić do zabawy urządzeniem, dzieci powinny pozostawać pod opieką osób dorosłych.

Kosiarke powinny obsługiwać, konserwować i naprawiać wyłącznie osoby, które w pełni rozumieją jej działanie i cechy specjalne oraz są świadome przepisów dotyczących bezpieczeństwa.

Kosiarke należy włączać zgodnie z instrukcjami. Gdy kluczyk zabezpieczający jest ustawiony w pozycji włączonej, dłonie i stopy należy trzymać z dala od kręcących się ostrzy.

Nigdy nie należy wkładać dłoni lub stóp pod kosiarkę.

Nie należy dokonywać zmian w oryginalnej konstrukcji kosiarki. Jakiegokolwiek przeróbki powodują utratę gwarancji.

Gdy w pobliżu strefy koszenia znajdują się jakiegokolwiek osoby, a zwłaszcza dzieci lub zwierzęta domowe, należy wyłączyć kosiarkę przyciskiem STOP znajdującym się na kosiarce. Zaleca się, aby programować kosiarkę tak, aby pracowała w godzinach, w których w strefie koszenia nie przebywają żadne osoby ani zwierzęta domowe.

Ze strefy pracy należy usunąć przedmioty takie jak gałęzie, zabawki, kamienie i narzędzia, ponieważ mogłyby one spowodować uszkodzenie ostrzy. Kosiarka może się zablokować na przedmiotach znajdujących się w strefie pracy. Przed wznowieniem pracy może być konieczne usunięcie blokującego kosiarkę przedmiotu.

Nigdy nie wolno podnosić kosiarki lub przenosić jej z włożonym do niej kluczykiem zabezpieczającym.

Gdy kosiarka nie jest używana, należy ją zawsze wyłączać przyciskiem STOP. Kosiarka włączy się tylko wtedy, gdy jest do niej włożony kluczyk zabezpieczający i gdy zostanie wciśnięty przycisk START.

Wbudowany alarm jest bardzo głośny. Należy zachować ostrożność, zwłaszcza jeśli kosiarka jest używana w zamkniętych pomieszczeniach.

Nie wolno używać kosiarki z uszkodzoną tarczą ana ostrza lub z uszkodzonym korpusem.

Nie należy pozwalać używać kosiarki osobom, które nie wiedzą jak urządzenie to działa i jak się zachowuje.

Na kosiarce lub na stacji ładowania nie należy niczego kłaść.



Podczas pracy przy ostrzach kosiarki należy zawsze nosić rękawice ochronne.

Wymiana akumulatora

OSTRZEŻENIE! W przypadku wycieku elektrolitu, zabrudzone miejsce należy przemyć wodą/środkiem neutralizującym, a jeśli elektrolit dostanie się do oczu, należy dodatkowo zasięgnąć porady lekarza.

Do ładowania akumulatora należy używać wyłącznie oryginalnej stacji ładowania. Niewłaściwe użytkowanie grozi porażeniem prądem, przegrzaniem lub wyciekami z akumulatora żrącego elektrolitu.

Akumulator jest bezobsługowy, ale ma ograniczony czas działania wynoszący od 2 do 4 lat w zależności od długości sezonu i tego, ile godzin dziennie kosiarka pracuje.

OSTRZEŻENIE! Przed wymianą akumulatora należy nacisnąć przycisk STOP i wyjąć kluczyk zabezpieczający; w czasie wymiany należy mieć założone rękawice ochronne.

OSTROŻNIE: Należy używać wyłącznie oryginalnych części zamiennych.

Odwrócić kosiarkę do góry nogami i wykręcić 4 śruby Torx T2, po czym zdjąć pokrywę akumulatora.

Odlączyć łączówkę od wyprowadzeń akumulatora.

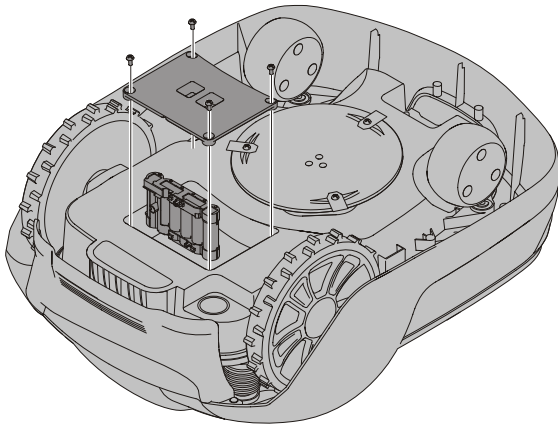
Podnieść akumulator prosto do góry.

Włożyć nowy akumulator w gniazdo 1 (tylne).

Podłączyć łączówkę do wyprowadzeń akumulatora.

Założyć z powrotem na miejsce pokrywę akumulatora i przykręcić ją 4 śrubami Torx T20.

Włożyć kluczyk zabezpieczający do stacyjki w podwoziu kosiarki i przekręcić go w pozycję Włączone. Umieścić kosiarkę w stacji ładowania, aby naładować akumulator.



Ochrona środowiska



Zgodnie z dyrektywami Wspólnoty Europejskiej, odpowiednio nr 2012/19/EU i 2006/66/EC, urządzenia elektryczne i elektroniczne nienadające się dłużej do użycia oraz uszkodzone lub zużyte akumulatory/baterie trzeba zbierać oddzielnie i utylizować w sposób bezpieczny dla środowiska.

Symbol umieszczony na kosiarce lub jej opakowaniu oznacza, że produktu nie można traktować jako zwykłych odpadów domowych. Produkt należy natomiast zostawiać w odpowiednich punktach recyklingu w celu poddania recyklingowi jego podzespołów elektronicznych i akumulatorów.

Akumulatory znajdują się w podwoziu pod kosiarką.

Dopilnowując prawidłowej utylizacji tego produktu pomagasz zapobiec potencjalnie negatywnym konsekwencjom dla środowiska i zdrowia człowieka, jakie miałyby utylizacja produktu dokonana w niewłaściwy sposób.

Aby uzyskać szczegółowe informacje na temat recyklingu tego produktu, należy skontaktować się z władzami miasta, miejscową firmą zarządzającą utylizacją odpadów komunalnych lub sklepem, w którym produkt został zakupiony.



Oddzielna utylizacja zużytych produktów oraz opakowań umożliwia recykling oraz wtórne wykorzystanie materiałów. Wtórne wykorzystanie odzyskanych materiałów pomaga ograniczyć zanieczyszczenie środowiska oraz ogranicza zapotrzebowanie na surowce.

Batteries



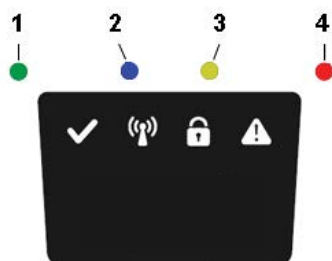
Li-ion

Gdy upłynie okres żywotności akumulatora, należy zutylizować go zgodnie z przepisami ochrony środowiska: Akumulator zawiera materiał, który jest niebezpieczny dla człowieka oraz środowiska. Musi on być usunięty i zutylizowany oddzielnie przez placówkę przyjmującą akumulatory litowo-jonowe.

Rozwiązywanie problemów

W tej części omówiono wybrane objawy, które mogą stanowić wskazówkę jeżeli kosiarka nie działa zgodnie z oczekiwaniami.

KONTROLKA LED NA KOSIARCE



LED	STAN	ZNACZENIE	DZIAŁANIE
1. Działanie (zielone)	Miganie	Tryb odzyskiwania	Ustaw robot na stacji ładującej na 5 godzin maksymalnie i odczekaj, aż zielona kontrolka LED przestanie migać. Jeśli kontrolka LED nie przestanie migać, należy ponownie uruchomić robot poza CS i spróbować ponownie.
	On (włączone)	Kosiarka w trybie działania (ładowanie, zaparkowanie w stacji ładującej, pauza, koszenie lub wyszukiwanie)	
	Off (wyłączone)	Kosiarka zatrzymana z przyciskiem Stop na kosiarce, klucz bezpieczeństwa w pozycji Wyłączone, kosiarka wyświetla stan błędu lub kosiarka czeka na kod PIN.	
2. Łączenie się (kolor niebieski)	Miga	Próba połączenia się z serwerem internetowym	
	Świeci	Połączono z serwerem internetowym	
	Nie świeci	Kosiarka nie znajduje się w trybie „włączone zasilanie”	
3. Ochrona (kolor żółty)	Miga	Wymagane uwierzytelnienie kodem PIN	... z poziomu aplikacji mobilnej
	Nie świeci	PIN nie jest wymagany	Nie są wymagane jakiegokolwiek działania
4. Błąd (kolor czerwony)	Miga	Kosiarka zatrzymała się z błędem	Sprawdzić powód wystąpienia błędu i zresetować przyciskiem Start na kosiarce.

PRZERWANIA PRZEWODU GRANICZNEGO I PRZEWODU PROWADZĄCEGO

Przerwania przewodu granicznego i przewodu prowadzącego (o ile jest zainstalowany) są na ogół wynikiem nieumyślnego uszkodzenia fizycznego.

Sprawdzić cały przewód graniczny od stacji ładowania i z powrotem.

Sprawdzić przewód prowadzący (o ile jest zainstalowany) od stacji ładowania do połączenia z przewodem granicznym.

Sprawdzić, czy wszystkie łączówki są prawidłowo wciśnięte i czy dobrze kontaktują.

Dane techniczne

	OPTIMOW 10	OPTIMOW 15
Wymiary:		
Wysokość	26 cm	26 cm
Długość	62 cm	62 cm
Szerokość	50 cm	50 cm
Ciężar	11 kg	11 kg
Instalacja elektryczna:		
Akumulator, specjalny akumulator litowo-jonowy	24 V / 2,0 Ah, część nr 211022355 / T0100607-00	24 V / 2,0 Ah, część nr 211022355 / T0100607-00
Zasilanie	100-240 V 32 V prąd stały	100-240 V 32 V prąd stały
Długość kabla niskonapięciowego	10 m	10 m
Średni pobór energii przy maksymalnym użytkowaniu	8 kWh/miesiąc przy powierzchni roboczej 1.000 m ²	10 kWh/miesiąc przy powierzchni roboczej 1.500 m ²
Prąd ładowania	1,3 A, prąd stały	1,3 A, prąd stały
Średni czas ładowania	140 minut	70 minut
Średni czas koszenia	70 minut	70 minut
Emisja hałasu: *)		
Zmierzony poziom mocy akustycznej **)	55 dB (A)	55 dB (A)
Gwarantowany poziom mocy akustycznej	57 dB (A)	57 dB (A)
Poziom ciśnienia akustycznego ***)	44 dB (A)	44 dB (A)
Koszenie:		
System tnący	3 obracające się ostrza tnące	3 obracające się ostrza tnące
Średnie zużycie energii podczas cięcia	25 W ± 20%	25 W ± 20%
Wysokość koszenia	2-6 cm	2-6 cm
Szerokość koszenia	22 cm	22 cm
Minimalna szerokość przejazdu	60 cm	60 cm
Maksymalne nachylenie zbocza w strefie koszenia	35%	35%
Maksymalne nachylenie zbocza dla przewodu granicznego	15%	15%
Maksymalna długość przewodu granicznego	800 m	800 m
Wydajność robocza****)	1,000 m ²	1,500 m ²
Zalecana powierzchnia pracy	0 - 700 m ²	500 - 1,200 m ²
Klasyfikacja IP:		
Kosiarka	IPX5	IPX5
Stacja ładowania	IPX3	IPX3
Zasilacz	IP67	IP67

KARTA CHARAKTERYSTYKI CZĘSTOTLIWOŚCI RADIOWYCH

	LTE & GSM	Urządzenia bliskiego zasięgu (przewód graniczny)
Pasma częstotliwości	LTE-FDD: B1/B2/B3/B4/B5/B8/B12/B13/B18/B19/B20/B25/B26/B27/B28/B66/B71/B85 GSM: 850/900/1800/1900 MHz	0~148.5KHz
Maksymalna moc wyjściowa (dBm)	LTE-FDD: 21 dBm +1.7/-3 dB GSM850/EGSM900: 33 dBm ±2 dB DCS1800/PCS1900: 30 dBm ±2 dB GSM850/EGSM900 (8-PSK): 27 dBm ±3 dB DCS1800/PCS1900 (8-PSK): 26 dBm ±3 dB	NA

*) Deklaracje emisji hałasu są zgodne z normą EN 50636-2-107

**) niepewność KWA, 2 dB(A)

***) niepewność KPA, 2 dB(A)

****) Deklaracja wydajności roboczej zgodna z EGMF RLM004-1.0/2016..

Deklaracja zgodności WE

Nazwisko i adres o producent:

Producent: Globe Technologies Europe GmbH

Address: Brunnenweg 17, 64331 Weiterstadt, Niemcy

Nazwisko i adres osoby upoważnionej do sporządzenia dokumentacji technicznej:

Nazwisko: Ralf Pankalla

Adres: Brunnenweg 17, 64331 Weiterstadt, Niemcy



Niniejszym oświadczamy, że produkt:

Kategoria:	Robokosiarka
Model:	Greenworks Optimow 10/ Greenworks Optimow 15
Numer seryjny:	patrz etykieta znamionowa produktu.
Nr seryjny:	patrz etykieta znamionowa produktu.

- Jest zgodna z odnośnymi przepisami dyrektywy maszynowej 2006/42/WE
- Spełnia wymogi określone w następujących dyrektywach:

- Kompatybilność elektromagnetyczna – dyrektywa 2014/30/UE
- Urządzenia radiowe – dyrektywa 2014/53/UE
- Dyrektywa niskonapięciowa 2014/35/UE
- Ograniczenie stosowania niektórych niebezpiecznych substancji w urządzeniach elektrycznych i elektronicznych – dyrektywa RoHS 2011/65/UE i (UE) 2015/863

- Ponadto oświadczamy, że zastosowano następujące standardy:

- EN 60335-1, EN 50636-2-107, EN 60335-2-29,
- EN 62233, EN 55014-1, EN 55014-2, EN 61000-3-2,
- EN 61000-3-3, EN 61558-1, EN 61558-2-16, EN 62311,
- EN 303 447, EN 303 413, EN 301 511,
- EN 301 489-1, EN 301 489-19, Draft ESTI EN 301 489-52,
- EN 62321-3-1, EN 62321-4, EN 62321-5, EN 62321-6,
- EN 62321-7-1, EN 62321-7-2, EN 62321-8

Ted Qu Haichao
Dyrektor ds. jakości
Weiterstadt, 26.06.2021

Ted Qu

Následující stránky obsahují pokyny pro bezpečnost, servis a údržbu. Pro provoz viz stručný průvodce dodávaný se strojem.

Pečlivě si přečtěte a prostudujte všechny bezpečnostní pokyny, upozornění a varování obsažené v této příručce a v stručném průvodci.

Pokud si tyto pokyny, varování a upozornění neprostudujete, může to vést k vážnému zranění nebo smrti osob a zvířat nebo poškození osobního majetku.

Celý návod k použití je k dispozici na

webové stránce: <https://url.globetools.systems/ltVFR>

QR kód:

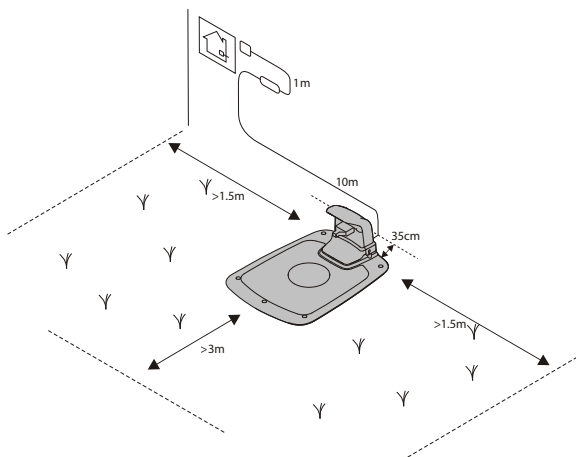
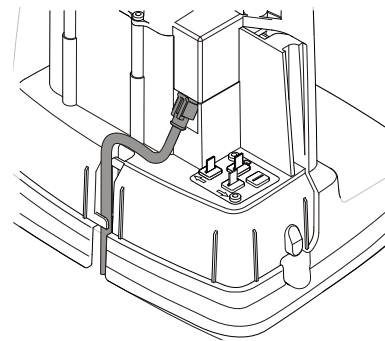
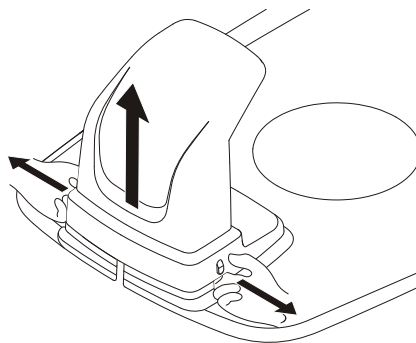


Obsah

Instalace	120
Připojení napájení	120
Nstalace ohraničujícího drátu	120
Bezpečnost výrobku	121
Vysvětlení symbolů na sekačce	121
Prostudování návodu k obsluze	121
Provozní bezpečnost	123
Ochrana životního prostředí	124
Řešení problémů	125
Indikátory LED na sekačce	125
Popraskaný ohraničující drát a vodící drát	125
Technické údaje	126
ES prohlášení o shodě	127

CS

Materiály, technické údaje a obrázky v této příručce jsou pouze orientační a nejsou závazné. Výrobce si vyhrazuje právo provádět jakékoli změny technických charakteristik a všech provozních funkcí, materiálů, technických údajů či obrázků bez předchozího upozornění.

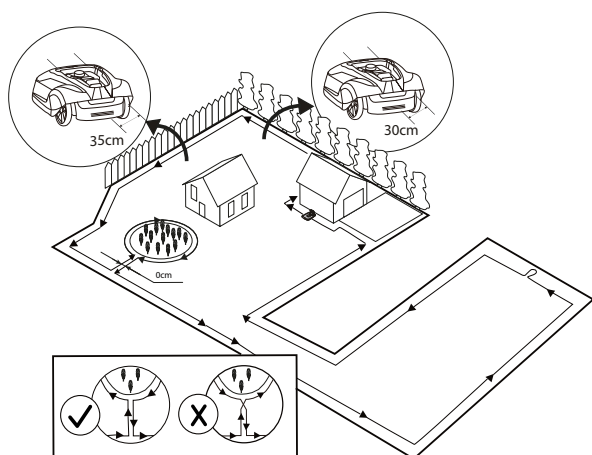
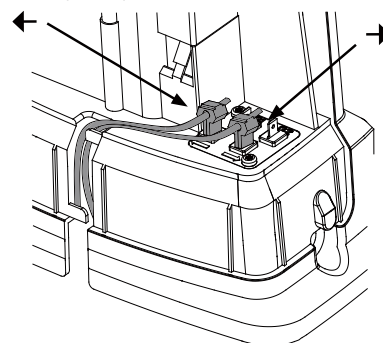


PŘIPOJENÍ NAPÁJENÍ

Připojte napájecí zdroj na chladném a suchém místě; mimo přímé sluneční světlo.

Je-li napájecí zdroj připojen k elektrické zásuvce venku, musí být schválen pro venkovní použití. Nízkonapěťový kabel může vést přes provozní prostor, pokud je připevněn drátěnou skobou nebo je v zemi.

POZOR: Nízkonapěťový kabel nepřefezávejte, nesplétejte ani jinak neupravujte. Zásahy do nízkonapěťového kabelu budou mít za následek pozbytí platnosti záruky na výrobek.



INSTALACE OHRANIČUJÍCÍHO DRÁTU

Položte na nabíjecí stanici cívkou smyčkového drátu.

Vraťte se zpět k pomezí provozního prostoru a zajistěte ohraničující drát buď pomocí kolíků, nebo vložení do země. Doporučují se kolíky, protože umožňují úpravu během prvních několika týdnů provozu.

Při upevňování ohraničujícího drátu pomocí kolíků:

- V místě, kde má být drát položen, posekejte trávu velmi nakrátko pomocí běžné sekačky nebo zastříhovače.
- Položte ohraničující drát na zem a zajistěte kolíky blízko sebe.
- Zatlačte nebo zabijte kolíky do země.

Nezasouvejte kolíky příliš hluboko do země, aby neutiskovaly ohraničující drát.

Vložení ohraničujícího drátu do země:

- Vložte ohraničující drát 1-20 cm do země.

Informace o instalaci vodícího drátu naleznete v kompletní příručce online.



Bezpečnost výrobku

Pro doplnění tohoto návodu k obsluze jsou na webu k dispozici další informace: www.greenworkstools.eu

VYSVĚTLENÍ SYMBOLŮ NA SEKAČCE



Jde o nebezpečný elektrický přístroj. Při práci postupujte opatrně a dodržujte všechny bezpečnostní pokyny a varování.

Před použitím sekačky si pečlivě přečtěte návod k obsluze.



Před manipulací se sekačkou nebo jejím zvednutím vyjměte bezpečnostní klíč.



Nebezpečí vymrštění předmětů během provozu.

Během provozu udržujte bezpečnou vzdálenost od sekačky a zajistěte, aby se lidi, zejména děti, domácí zvířata a okolostojící, nacházeli mimo oblast, kde je sekačka provozována.



Nejezděte na sekačce.



Zařízení třídy III

PROSTUDOVÁNÍ NÁVODU K OBSLUZE

Při čtení a pro pochopení návodu k obsluze jsou důležité následující symboly.



Používejte ochranné rukavice

V návodu k obsluze je za účelem usnadnění chápání použit následující systém:

- **VAROVÁNÍ!** Výstražné texty upozorňují uživatele a spotřebitele na existenci a povahu nebezpečí, aby mohli vhodným chováním během používání výrobku předcházet zranění.
- **POZOR:** Upozorňovací texty varují uživatele a spotřebitele před existencí a povahou nebezpečí, aby mohli vhodným chováním během používání výrobku předcházet jeho poškození.
- **POZNÁMKA:** Poznámky obsahují další informace o používání výrobku určené pro uživatele a spotřebitele.
- Text napsaný *tučně kurzívou* odkazuje na jinou část v návodu na obsluhu.
- Text napsaný **tučně se** týká nastavení sekačky.

Bezpečnost výrobku

DŮLEŽITÉ

ČTĚTE PEČLIVĚ PŘED POUŽITÍM! USCHOVEJTE PRO NAHLÉDNUTÍ V BUDOUCNU!

Školení

**VAROVÁNÍ! Automatická sekačka na trávu! Držte se v bezpečné vzdálenosti od stroje!
Dohlížejte na děti!**

- Pozorně si přečtete návod. Seznamte se s ovládacími prvky a správným používáním stroje.
- Osoby, které se neseznámily s tímto návodem, nebo děti nesmí stroj nikdy používat. Místní předpisy mohou stanovovat nejnižší věk obsluhy.
- Obsluha nebo uživatel je zodpovědný za nehody nebo ohrožení jiných osob nebo jejich majetku.

Příprava

- Zajistěte správnou instalaci ohraničujících a vodicích vodičů podle pokynů.
- Pravidelně kontrolujte prostor, kde budete stroj používat, a odstraňte všechny kameny, klacky, dráty, kosti a další cizí tělesa.
- Před použitím vždy vizuálně zkontrolujte, zda nejsou nože, šrouby nožů a žací mechanismus opotřebované nebo poškozené. Opotřebované nebo poškozené nože a šrouby vyměňte v sadách z důvodu zachování vyvážení.

Obecné informace

- Nikdy nepoužívejte stroj s vadnými kryty nebo bez bezpečnostních zařízení, například krytu.
- Nestrkejte ruce ani nohy do blízkosti rotujících částí nebo pod ně.
- Nikdy stroj nezvedejte ani nepřenášejte, pokud je motor v chodu.
- Odstraňte (nebo použijte) deaktivční zařízení ze stroje
 - před odstraněním překážky;
 - před kontrolou, čištěním nebo prací na stroji.
- Nenechávejte stroj fungovat bez dozoru, pokud víte, že jsou v blízkosti domácí zvířata, děti nebo lidé.

Údržba a skladování

- Udržujte všechny matice, svorníky a šrouby utažené, abyste si byli jisti, že je stroj v bezpečném provozním stavu.
- Opotřebované nebo poškozené díly z bezpečnostních důvodů vyměňte.
- Zajistěte, aby v případě výměny byly použity pouze sekací prostředky správného typu.
- Zajistěte, aby baterie byly nabíjeny s použitím správné nabíječky doporučené výrobcem. Nesprávné použití může vést k úrazu elektrickým proudem, přehřátí nebo úniku korozivní kapaliny z baterie.
- V případě úniku elektrolytu je třeba postižení části vypláchnout vodou/neutralizačním prostředkem, a pokud dojde ke kontaktu s očima atd. vyhledat lékařskou pomoc.
- Servis zařízení musí být prováděn podle pokynů výrobce.

VAROVÁNÍ! K dobíjení baterie používejte pouze odpojitelnou napájecí jednotku dodávanou s tímto spotřebičem.

VAROVÁNÍ! Toto zařízení obsahuje akumulátory, které mohou vyměňovat pouze kvalifikované osoby.

Provoz

SPUŠTĚNÍ A VYPNUTÍ SEKAČKY

Sekačka se spouští následujícím způsobem:

- 1 Vložte bezpečnostní klíč a otočte jím proti směru hodinových ručiček do polohy „1“.
- 2 Posuňte západku tlačítka **START** dozadu.
- 3 Stlačte tlačítko **START** dolů.

Pro zastavení sekačky:

Stiskněte tlačítko **STOP** umístěné na sekačce.

VYPNUTÍ SEKAČKY

Stiskněte tlačítko **STOP** umístěné na sekačce a vyjměte bezpečnostní klíč.

VAROVÁNÍ! Při provádění údržby, nebo když je sekačku třeba přemístit, vždy vyjměte bezpečnostní klíč.

PROVOZNÍ BEZPEČNOST

Tento návod k obsluze obsahuje všechny základní informace týkající se bezpečného provozu a údržby sekačky.



Před zprovozněním sekačky si pozorně přečtěte všechna bezpečnostní opatření a pokyny uvedené v tomto návodu k obsluze. Ponechte si tento návod, abyste do něj mohli v budoucnu nahlédnout. Dodržujte pokyny výrobce týkající se instalace, provozu, údržby a oprav.

Tato sekačka je určena k sečení trávy v otevřených a rovných prostorech. Používejte pouze vybavení doporučené výrobcem. Všechny ostatní typy použití jsou nesprávné.



Tato sekačka odpovídá bezpečnostním normám ES a směrnici týkající se elektromagnetické kompatibility, strojních zařízení a nízkého napětí.



Sekačka není určena k používání osobami (včetně dětí) s omezenými fyzickými, smyslovými nebo duševními schopnostmi nebo nedostatkem zkušeností a znalostí, pokud tyto osoby nejsou pod dohledem nebo nebyly řádně poučeny ohledně použití stroje ze strany osoby zodpovědné za jejich bezpečnost.

Děti musejí být pod dozorem, aby bylo zajištěno, aby si se strojem nehrály.

Sekačku smí obsluhovat, opravovat a provádět na ní údržbu pouze osoby, které plně chápou její zvláštní vlastnosti a bezpečnostní předpisy.

Spusťte sekačku podle pokynů. Pokud je bezpečnostní klíč v aktivované poloze, udržujte ruce a nohy v bezpečné vzdálenosti od rotujících nožů.

Nikdy nedávejte ruce ani nohy pod sekačku.

Neupravujte původní konstrukci sekačky. V důsledku jakýchkoli úprav dojde k pozbytí platnosti záruky.

Pokud se v prostoru sečení nacházejí osoby, zvláště děti, nebo domácí zvířata, vypněte sekačku pomocí tlačítka STOP umístěného na sekačce. Doporučujeme, aby byla sekačka naprogramována k použití v hodinách, kdy se v prostoru nenacházejí osoby ani domácí zvířata.

Odstraňte z pracovního prostoru předměty jako jsou větve, hračky, kameny a nástroje, které mohou poškodit nože. Sekačka se může zachytit o předměty v prostoru fungování a před pokračováním v sekání může být nutné tyto předměty odstranit.

Nikdy nezvedejte sekačku ani ji nepřenášejte, je-li vložen bezpečnostní klíč.

Když se sekačka nepoužívá, vždy ji vypněte pomocí tlačítka STOP. Sekačka se může spustit pouze po vložení bezpečnostního klíče a stisknutí tlačítka START.

Zabudovaný alarm je velmi hlasitý. Buďte opatrní, zvláště pokud je sekačka provozována uvnitř.

Nepoužívejte sekačku s vadným kotoučem nebo tělem nože.

Nenechávejte sekačku používat osoby, které nevědí, jak funguje a jak se chová.

Nepokládejte nic na sekačku ani nabíjecí stanici.



Při práci se sekacími noži používejte vždy ochranné rukavice.

Výměna baterie

VAROVÁNÍ! V případě úniku elektrolytu vypláchněte postižené části vodou/neutralizačním prostředkem, a pokud dojde ke kontaktu s očima vyhledejte lékařskou pomoc.

Baterii nabíjejte pouze v původní nabíjecí stanici. Nesprávné použití může vést k úrazu elektrickým proudem, přehřátí nebo úniku korozivní kapaliny z baterie.

Baterie je bezúdržbová, ale má omezenou životnost 2 až 4 roky v závislosti na délce sezóny a počtu hodin, po které je sekačka denně používána.

VAROVÁNÍ! Stiskněte tlačítko STOP a před výměnou baterií vyjměte bezpečnostní klíč; použijte ochranné rukavice.

POZOR: Používejte pouze originální náhradní díly.

Otočte sekačku vzhůru nohama, vyjměte čtyři šrouby Torx T20 a odstraňte kryt baterie.

Odpojte koncovou svorku baterie.

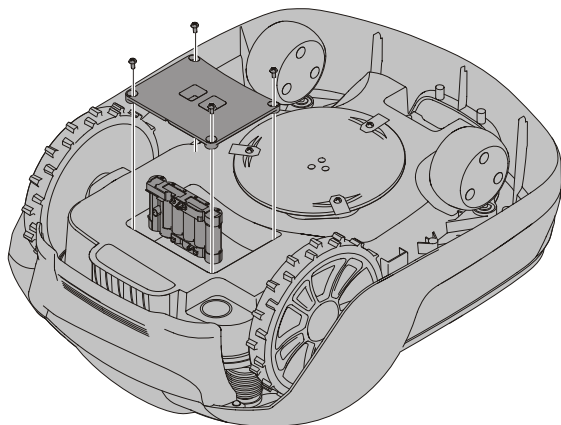
Vyjměte baterii přímo ven.

Vložte novou baterii do slotu 1 (zadní slot).

Zapojte koncovou svorku do nové baterie.

Vraťte kryt baterie na své místo a vložte a utáhněte čtyři šrouby Torx T20.

Zasuňte bezpečnostní klíč do spodní části sekačky a otočte ho do polohy Enable. Umístěte sekačku do nabíjecí stanice pro aktivaci a nabíjení akumulátoru.



Ochrana životního prostředí



Podle evropské směrnice 2012/19/EU o odpadních elektrických a elektronických zařízeních a podle evropské směrnice 2006/66/EC musí být vadné nebo použité napájecí sady/baterie sbírány odděleně a likvidovány ekologicky.

Symbol na sekačce nebo jejím obalu znamená, že s tímto výrobkem nelze zacházet jako s domácím odpadem. Recyklaci elektronických komponentů a baterií musí provést vhodné recyklační středisko.

Baterie jsou uzavřeny v podvozku pod sekačkou.

Tím, že zajistíte správné zacházení s tímto výrobkem, můžete pomoci vyvarovat se možnému negativnímu dopadu na životní prostředí a osoby, který by jinak mohl vzniknout nesprávným nakládáním s tímto výrobkem.

Podrobnější informace o recyklaci tohoto výrobku získáte na obecním úřadě, od zpracovatele vašeho domácího odpadu nebo v prodejně, kde jste si výrobek zakoupili.



Na konci životnosti baterie je zlikvidujte tak, abyste nepoškodili životní prostředí. Baterie obsahuje materiál, který je nebezpečný vám i životnímu prostředí. Musí se vyndat a zlikvidovat odděleně v zařízení, které přijímá lithiontové baterie.

Batteries

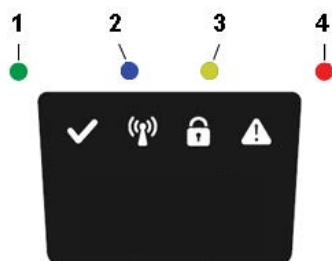


Odevzdáním použitých výrobků a obalů ve sběrném dvoře podpoříte recyklaci. Opětovné použití recyklovaných materiálů pomáhá chránit životní prostředí před znečištěním a snižuje požadavky na suroviny.

Řešení problémů

Tato část také obsahuje některé informace o chování sekačky a o tom, co dělat, pokud sekačka nefunguje podle očekávání.

INDIKÁTORY LED NA SEKAČCE



LED	STAV	VÝZNAM	ÚKON
1. Provoz (zelená)	Bliká	Režim obnovení	Umístěte robota do nabíjecí stanice až na 5 hodin a počkejte, až zelená LED přestane blikat. Pokud LED nepřestane blikat, restartujte robota mimo nabíjecí stanici a zkuste to znovu.
	Svíí	Sekačka v provozním režimu (nabíjení, zaparkována v nabíjecí stanici, pozastavena, sekání nebo vyhledávání)	
	Nesvíí	Sekačka se zastavila pomocí tlačítka Stop na sekačce, bezpečnostní klíč v deaktivované poloze, sekačka v chybovém stavu nebo sekačka čeká na PIN kód.	
2. Připojení (modrá)	Bliká	Pokus o připojení k internetovému serveru	
	Zapnuto	Připojeno k internetovému serveru	
	Vypnuto	Sekačka není v režimu „Zapnuto“	
3. Bezpečnost (žlutá)	Bliká	Je vyžadováno oprávnění pomocí kódu PIN	...přes mobilní aplikaci
	Vypnuto	Není nutný žádný PIN	Není požadován žádný úkon
4. Chyba (červená)	Bliká	Sekačka se zastavila kvůli chybě	Zkontrolujte důvod chyby a poté proveďte restartování stisknutím tlačítka Start na sekačce.

CS

POPRASKANÝ OHRANIČUJÍCÍ DRÁT A VODICÍ DRÁT

Praskliny v ohraničujícím drátu a vodicím drátu (pokud je instalován) jsou obvykle důsledkem neúmyslného fyzického poškození.

Zkontrolujte celý ohraničující drát z nabíjecí stanice a zpět.

Zkontrolujte vodicí drát (je-li instalován) z nabíjecí stanice ke spoji k ohraničujícímu drátu.

Zkontrolujte, zda byly všechny spoje řádně zmačknuty za účelem připojení.

Technické údaje

	OPTIMOW 10	OPTIMOW 15
Rozměry:		
Výška	26 cm	26 cm
Délka	62 cm	62 cm
Šířka	50 cm	50 cm
Hmotnost	11 kg	11 kg
Elektrický systém:		
Baterie, speciální lithium-iontová baterie	24 V / 2.0 Ah, Part No. 211022355 / T0100607-00	24 V / 2.0 Ah, Part No. 211022355 / T0100607-00
Napájecí zdroj	220-240 V/32 V DC	220-240 V/32 V DC
Délka nízkonapěťového kabelu	10 m	10 m
Průměrná spotřeba energie při maximálním použití	8 kWh/měsíc na pracovní oblast o 1.000 m ²	10 kWh/měsíc na pracovní oblast o 1.500 m ²
Nabíjecí proud	1,3 A DC	1,3 A DC
Průměrná doba nabíjení	140 minut	70 minut
Průměrná doba sekání	70 minut	70 minut
Emise hluku: *)		
Naměřená hladina akustického výkonu **)	55 dB (A)	55 dB (A)
Garantovaná hladina akustického výkonu	57 dB (A)	57 dB (A)
Hladina akustického tlaku ***)	44 dB (A)	44 dB (A)
Sekání:		
Sekací systém	Tři otočné sekací nože	Tři otočné sekací nože
Průměrná spotřeba energie při řezání	25 W ± 20%	25 W ± 20%
Výška sekání	2-6 cm	2-6 cm
Šířka sekání	22 cm	22 cm
Nejmenší možný průchod	60 cm	60 cm
Maximální úhel pro oblast sekání	35%	35%
Maximální sklon pro ohraničující drát	15%	15%
Maximální délka ohraničujícího drátu	800 m	800 m
Pracovní kapacita ****)	1,000 m ²	1,500 m ²
Doporučený rozsah oblastí	0 - 700 m ²	500 - 1,200 m ²
Klasifikace IP:		
Sekačka	IPX5	IPX5
Nabíjecí stanice	IPX3	IPX3
Napájecí zdroj	IP67	IP67

RADIOFREKVENČNÍ LIST

	LTE & GSM	Zařízení krátkého dosahu (ZKD) (Ochraničující vodič)
Frekvenční pásmo	LTE-FDD: B1/B2/B3/B4/B5/B8/B12/B13/B18/ B19/B20/B25/B26/B27/B28/B66/B71/B85 GSM: 850/900/1800/1900 MHz	0~148.5KHz
Max. výstupní výkon (dBm)	LTE-FDD: 21 dBm +1.7/-3 dB GSM850/EGSM900: 33 dBm ±2 dB DCS1800/PCS1900: 30 dBm ±2 dB GSM850/EGSM900 (8-PSK): 27 dBm ±3 dB DCS1800/PCS1900 (8-PSK): 26 dBm ±3 dB	NA

*) Prohlášení o emisích hluku odpovídají EN 50636-2-107

**) nejistoty KWA, 2 dB (A)

***) nejistoty KPA, 2 dB (A)

****) Prohlášení o pracovní kapacitě je v souladu s EGMF RLM004-1.0/2016.

Prohlášení o shodě ES

Název a adresa výrobce:

Výrobce: Globe Technologies Europe GmbH

Adresa: Brunnenweg 17, 64331 Weiterstadt, Německo

Název a adresa společnosti oprávněné vypracovat soubor technické dokumentace:

Název: Ralf Pankalla

Adresa: Brunnenweg 17, 64331 Weiterstadt, Německo

Tímto prohlašujeme, že výrobek:

Kategorie:	Robotická sekačka na trávu
Model:	Greenworks Optimow 10/ Greenworks Optimow 15
Výrobní číslo:	Viz štítek s jmenovitým výkonem výrobku.
Výrobní č.	Viz štítek s jmenovitým výkonem výrobku.

- Je v souladu s příslušnými ustanoveními směrnice o strojních zařízeních 2006/42/ES
- Je v souladu s následujícími směrnici:

- Elektromagnetická kompatibilita – směrnice 2014/30/EU
- Rádiová zařízení - směrnice 2014/53/EU
- Směrnice o nízkém napětí EMC 2014/35/EU
- Směrnice o omezení používání některých nebezpečných látek v elektrických a elektronických zařízeních (RoHS) 2011/65/EU & 2015/863/EU

- Kromě toho prohlašujeme, že byly použity následující standardy:

- EN 60335-1, EN 50636-2-107, EN 60335-2-29,
- EN 62233, EN 55014-1, EN 55014-2, EN 61000-3-2,
- EN 61000-3-3, EN 61558-1, EN 61558-2-16, EN 62311,
- EN 303 447, EN 303 413, EN 301 511,
- EN 301 489-1, EN 301 489-19, Draft ESTI EN 301 489-52,
- EN 62321-3-1, EN 62321-4, EN 62321-5, EN 62321-6,
- EN 62321-7-1, EN 62321-7-2, EN 62321-8

Ted Qu Haichao
Ředitel kvality
Weiterstadt, 26.06.2021

Ted Qu



CS

Nasledujúce stránky obsahujú pokyny pre bezpečnosť, servis a údržbu. Používanie nájdete v stručnom sprievodcovi dodávanom so strojom.

Starostlivo si prečítajte a pochopte všetky bezpečnostné pokyny, varovania a upozornenia obsiahnuté v tomto návode a v stručnom sprievodcovi.

Ak si neprečítate a nebudete dodržiavať tieto pokyny, varovania a výstražné upozornenia, môže to viesť k vážnemu zraneniu alebo smrti osôb a domácich zvierat alebo poškodeniu osobného majetku.

Celý návod na obsluhu je k dispozícii na

webovej stránke: <https://url.globetools.systems/b4TII>

QR kód:

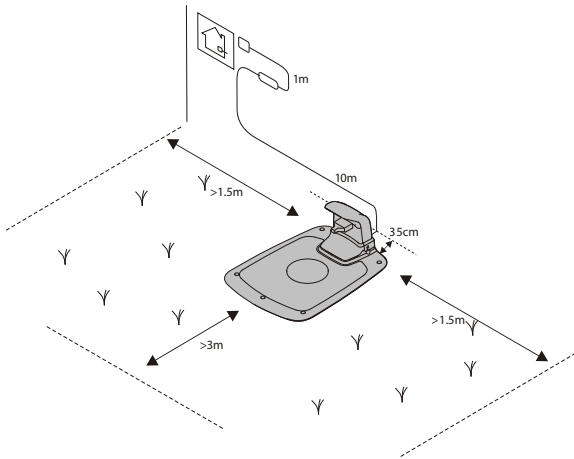
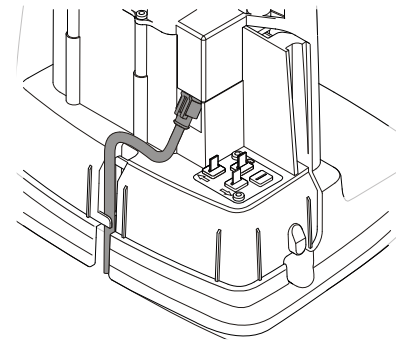
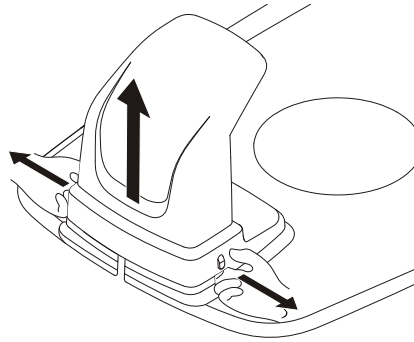


Obsah

Inštalácia.....	129
Pripojenie napájacieho zdroja.....	129
Inštalácia hraničného kábla	129
Bezpečnosť výrobku.....	130
Vysvetlenie symbolov na kosačke.....	130
Čítanie návodu na obsluhu	130
Prevádzková bezpečnosť.....	132
Ochrana životného prostredia	133
Riešenie problémov.....	134
LED kontrolky na kosačke.....	134
Prerušenie hraničného a vodiaceho kábla	134
Technické údaje.....	135
Vyhlásenie o zhode CE.....	136

SK

Materiály, technické údaje a obrázky uvedené v tejto príručke sú len orientačné a nie sú záväzné. Výrobca si vyhradzuje právo vykonať akékoľvek zmeny technických charakteristík a všetkých funkcií, materiálov, technických údajov alebo obrázkov bez predchádzajúceho upozornenia.



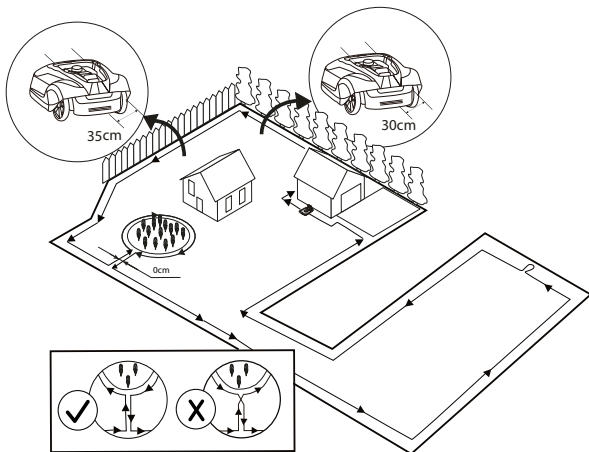
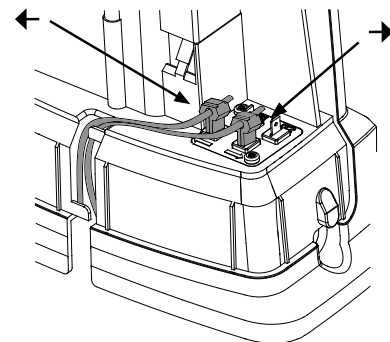
PRIPOJENIE NAPÁJACIEHO ZDROJA

Pripojte napájanie v chladnom, suchom prostredí; mimo priameho slnečného žiarenia.

Ak je napájací zdroj pripojený do elektrickej zásuvky vonku, musí byť schválený pre vonkajšie použitie.

Nízkonapäťový kábel môže prechádzať cez pracovnú oblasť, ak je prichytený o zem alebo zakopaný.

VAROVANIE: Nerežte, nestrihajte ani nemeňte nízkonapäťový kábel. Úprava nízkonapäťového kábla spôsobí neplatnosť záruky výrobcu.



INŠTALÁCIA HRANIČNÉHO KÁBLA

Položte cievku so slučkovým káblom ku nabíjacej stanici.

Znovu prejdite okolo hranice pracovnej oblasti a zaistíte hraničný kábel pomocou kolíkov alebo ho zakopte do zeme. Odporúčame kolíky, pretože to umožňuje robiť nastavenia počas prvých niekoľkých týždňov prevádzky.

Zaistenie hraničného kábla s kolíkmi:

- Na miestach, kde sa má položiť kábel, pokoste trávu na veľmi nízko pomocou štandardnej alebo strunovej kosačky.
- Položte hraničný kábel na zem a zaistíte kolíkmi tesne vedľa seba.
- Zasuňte kolíky do zeme rukou alebo kladivom.

Nezatlačajte kolíky príliš hlboko do zeme, aby sa nenapínal hraničný kábel.

Zakopanie hraničného kábla:

- Zakopte hraničný kábel 1 až 20 cm do zeme.

Informácie o inštalácii vodiaceho kábla nájdete v kompletnom manuáli dostupnom online.



Bezpečnosť výrobku

Ďalšie doplňujúce informácie k tomuto návodu na obsluhu sa nachádzajú na webovej stránke: www.greenworkstools.eu

VYSVETLENIE SYMBOLOV NA KOSAČKE



Toto je nebezpečné elektrické náradie. Pri prevádzke buďte opatrní a postupujte podľa všetkých bezpečnostných pokynov a upozornení.

Pred obsluhou kosačky si pozorne prečítajte návod na obsluhu.



Pred prácou alebo zdvíhaním kosačky odstráňte bezpečnostný kľúč.



Nebezpečenstvo vyhadzovaných predmetov počas prevádzky.

Počas prevádzky udržiavajte bezpečnú vzdialenosť od kosačky a udržiajte ľudí, najmä deti, domáce zvieratá a okolostojace osoby, mimo oblastí, kde sa kosačka používa.



Nejazdite na kosačke.



Zariadenie triedy III

ČÍTANIE NÁVODU NA OBSLUHU

Nasledujúce symboly sú dôležité pre čítanie a pochopenie návodu na obsluhu.



Používajte ochranné rukavice

Nasledujúci systém sa používa v návode na obsluhu, aby ho bolo jednoduchšie pochopiť:

- **VAROVANIE!** Výstražné texty upozorňujú používateľov a spotrebiteľov na existenciu a povahu nebezpečenstiev, aby mohli počas používania výrobku zabrániť zraneniu vhodným spôsobom.
- **UPOZORNENIE:** Texty s upozornením upozorňujú používateľov a spotrebiteľov na existenciu a povahu rizík výrobku, aby mohli zabrániť poškodeniu výrobku vhodným správaním počas používania výrobku.
- **POZNÁMKA:** Poznámky informujú používateľov a spotrebiteľov o ďalších informáciách pre používanie výrobku.
- Text napísaný **tučnou kurzívou** odkazuje na inú časť v návode na obsluhu.
- Text napísaný **tučným** písmom odkazuje na nastavenia na kosačke.

Bezpečnosť výrobku

DÔLEŽITÉ

PRED POUŽITÍM SI POZORNE PREČÍTAJTE! ODLOŽTE SI PRE BUDÚCU POTREBU!

Školenie

VAROVANIE! Automatická kosačka! Dohliadajte na deti!

- Prečítajte si pozorne tieto pokyny. Zoznámte sa s ovládacími prvkami a správnym používaním stroja.
- Nikdy nedovoľte ľuďom, ktorí nie sú oboznámení s týmito pokynmi alebo deťom, používať stroj. Miestne predpisy môžu obmedzovať vek obsluhy.
- Obsluha alebo používateľ je zodpovedný za nehody a nepredvídané udalosti voči iným osobám a ich majetku.

Príprava

- Zabezpečte správnu inštaláciu ohraničujúceho a vodiaceho drôtu podľa pokynov.
- Pravidelne kontrolujte oblasť, kde má byť stroj používaný a odstráňte všetky kamene, palice, drôty, kosti a iné cudzie predmety.
- Pravidelne vizuálne kontrolujte, či nie sú opotrebované alebo poškodené čepele, skrutky čepelí a rezný mechanizmus. Vymeňte opotrebované alebo poškodené čepele a skrutky naraz, aby ste zachovali vyváženú rovnováhu.

Obsluha

- Nikdy neprevádzkujte stroj s poškodenými ochrannými krytmi alebo bez nasadených bezpečnostných zariadení, napríklad krytu.
- Nedávajte ruky alebo nohy do blízkosti rotujúcich častí alebo pod nich.
- Nikdy stroj nedvíhajte ani neprenášajte počas chodu motora.
- Odstráňte (alebo aktivujte) blokujuce zariadenie zo stroja
 - pred odstraňovaním zablokovania;
 - pred kontrolou, čistením alebo prácou na stroji.
- Nenechávajte stroj pracovať bez dozoru, ak viete, že v okolí sú zvieratá, deti alebo ľudia.

Údržba a skladovanie

- Kontrolujte dotiahnutie všetkých závitníc, skrutiek a matíc s cieľom zaistiť bezpečný prevádzkový stav stroja.
- Z dôvodu bezpečnosti vymeňte opotrebované alebo poškodené diely.
- Uistite sa, že používate iba správny typ náhradných rezných nástrojov.
- Skontrolujte, či sú batérie nabíjané pomocou správnej nabíjačky odporúčanej výrobcou. Nesprávne použitie môže viesť k úrazu elektrickým prúdom, prehriatiu alebo úniku korozívnej kvapaliny z batérie.
- V prípade úniku elektrolytu opláchnite s vodou/neutralizačným prostriedkom a vyhľadajte lekársku pomoc, ak sa dostane do kontaktu s očami atď.
- Servis stroja sa musí robiť podľa pokynov výrobcu.

VAROVANIE! Na účely dobitia batérie používajte iba odpojiteľnú napájaciu jednotku dodávanú s týmto spotrebičom.

VAROVANIE! Toto zariadenie obsahuje batérie, ktoré môže vymieňať iba povolané osoby.

Obsluha

ZAPNUTIE A ZASTAVENIE KOSAČKY

Zapnutie kosačky:

- 1 Vložte bezpečnostný kľúč a otočte proti smeru hodinových ručičiek do polohy „1“.
- 2 Posuňte západku tlačidla **ŠTART** smerom dozadu.
- 3 Stlačte tlačidlo **ŠTART**.

Zastavenie kosačky:

Stlačte tlačidlo **STOP** na kosačke.

VYPNUTIE KOSAČKY

Stlačte tlačidlo **STOP** na kosačke a vyberte bezpečnostný kľúč.

VAROVANIE! Bezpečnostný kľúč vždy odstráňte pri vykonávaní údržby alebo pri kosení.

Bezpečnosť výrobku

PREVÁDZKOVÁ BEZPEČNOSŤ

Tento návod na obsluhu obsahuje všetky základné informácie týkajúce sa bezpečnej prevádzky a údržby kosačky.



Pred prácou s týmto strojom si pozorne prečítajte všetky bezpečnostné upozornenia a pokyny uvedené v tomto návode na obsluhu. Návod na obsluhu si uschovajte pre budúcu potrebu. Dodržujte pokyny výrobcu, ktoré sa týkajú inštalácie, prevádzky, údržby a opravy.

Táto kosačka je určená na kosenie trávy na otvorených a rovných priestoroch. Používajte iba výrobcom odporúčané vybavenie. Všetky ostatné druhy použitia sú nesprávne.



Táto kosačka vyhovuje bezpečnostným normám CE a smerniciam, ktoré sa týkajú elektromagnetickej kompatibility, strojných a nízkonapäťových zariadení.



Táto kosačka nie je určená na používanie osobami (vrátane detí) s obmedzenými fyzickými, zmyslovými alebo duševnými schopnosťami alebo nedostatkom skúseností a znalostí, ak tieto osoby nie sú pod dohľadom, alebo nie sú riadne poučené, čo sa týka použitia zariadenia, zo strany osoby zodpovednej za ich bezpečnosť.

Dozrite na to, aby sa deti so zariadením nehrali.

Kosačku smú prevádzkovať, udržiavať a opravovať iba osoby, ktoré plne chápu jej špecifické vlastnosti a bezpečnostné predpisy.

Zapnite kosačku podľa pokynov. Keď je bezpečnostný kľúč v polohe Povolené (Enabled), držte ruky a nohy mimo dosahu rotujúcich čepeľí.

Nikdy nedávajte ruky a nohy pod kosačku.

Neupravujte pôvodnú konštrukciu kosačky. Akékoľvek úpravy rušia záruku.

Vypnite kosačku pomocou tlačidla STOP na kosačke, keď sú v oblasti kosenia osoby, najmä deti alebo domáce zvieratá. Odporúčame, aby bola kosačka naprogramovaná na použitie počas hodín, kedy je oblasť bez osôb alebo domácich zvierat.

Odstráňte predmety z pracovnej plochy, ako sú konáre, hračky, kamene, nástroje, ktoré môžu poškodiť čepele. Kosačka sa môže zachytiť o predmety v pracovnej oblasti a môže byť potrebná pomoc na odstránenie predmetu predtým, než kosačka bude môcť pokračovať v kosení.

Nikdy nezdvíhajte kosačku alebo ju neprenášajte s vloženým bezpečnostným kľúčom.

Keď kosačku nepoužívate, vždy ju vypnite pomocou tlačidla STOP. Kosačka sa môže spustiť iba po vložení bezpečnostného kľúča a stlačení tlačidla START.

Zabudovaný alarm je veľmi hlasný. Buďte opatrní, najmä ak sa s kosačkou manipuluje vo vnútri.

Nepoužívajte kosačku s poškodeným diskom s čepeľami alebo telesom.

Nedovoľte osobám používať kosačku, ktoré nevedia, ako kosačka pracuje a chová sa.

Neumiestňujte nič na kosačku ani na jej nabíjajúcu stanicu.



Používajte vždy ochranné rukavice pri práci s čepeľami kosačky.

Výmena batérie

VAROVANIE! V prípade úniku elektrolytu opláchnite s vodou/neutralizačným prostriedkom a vyhľadajte lekársku pomoc, ak sa elektrolyt dostane do kontaktu s očami atď.

Nabíjajte batériu iba v originálnej nabíjacej stanici. Nesprávne použitie môže viesť k úrazu elektrickým prúdom, prehriatiu alebo úniku korozívnej kvapaliny z batérie.

Batéria je bezúdržbová, ale má obmedzenú životnosť 2 až 4 roky v závislosti od dĺžky sezóny a koľko hodín denne sa kosačka používa.

VAROVANIE! Stlačte tlačidlo STOP a pred výmenou batérií vyberte bezpečnostný kľúč a nasadte si ochranné rukavice.

VAROVANIE: Používajte iba originálne náhradné diely.

Otočte kosačku hore nohami, vyberte štyri skrutky Torx T20 a odstráňte kryt batérie.

Odpojte konektor batérie.

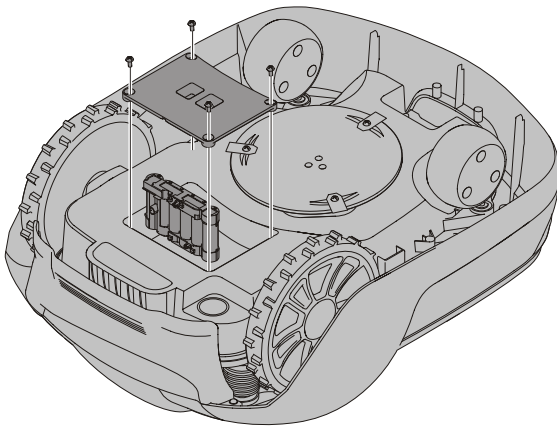
Batériu vytiahnite priamo von.

Vložte novú batériu do otvoru 1 (zadný otvor).

Pripojte konektor batérie na novú batériu.

Založte kryt batérie naspäť na miesto, vložte a utiahnite štyri skrutky Torx T20.

Vložte bezpečnostný kľúč do spodnej časti kosačky a otočte ho do polohy Zapnuté (Enable). Umiestnite kosačku do nabíjacej stanice na zapnutie a nabíjanie batérie.



Ochrana životného prostredia



Podľa európskej smernice 2012/19/EÚ elektrické a elektronické zariadenia, ktoré už nie sú použiteľné a podľa európskej smernice 2006/66/EC chybné alebo použité akumulátory/batérie sa musia zhromažďovať oddelene a zlikvidovať ekologicky správnym spôsobom.

Symbol na kosačke alebo jeho obale znamená, že s týmto výrobkom nemožno zaobchádzať ako s domácim odpadom. Namiesto toho sa musí odovzdať do vhodného recyklačného strediska na recykláciu elektronických komponentov a batérií.

Batérie sú uzavreté v podvozku pod kosačkou.

Ak sa o tento výrobok správne postaráte, môžete pomôcť vyvážiť potenciálny negatívny vplyv na životné prostredie a ľudí, ktoré by inak mohli vzniknúť nesprávnou manipuláciou s týmto výrobkom.

Podrobnejšie informácie o recyklácii tohto výrobku vám poskytne obec, miestne stredisko pre likvidáciu odpadu alebo obchod, kde bol výrobok zakúpený.



Oddelený zber použitých produktov a obalov umožňuje recykláciu a opätovné použitie materiálov. Opakované použitie recyklovaných materiálov pomáha predchádzať znečisteniu životného prostredia a znižuje dopyt po surovinách.

Batteries



Li-ion

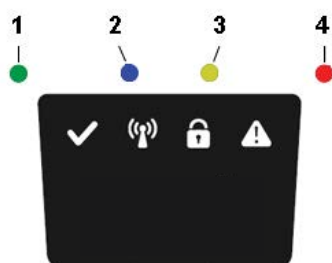
Na konci životnosti zlikvidujte akumulátory s ohľadom na životné prostredie. Akumulátor obsahuje materiál, ktorý je nebezpečný pre vás i životné prostredie. Musí sa vyhazovať a likvidovať oddelene v zariadení na zber lítiumových akumulátov.

SK

Riešenie problémov

Táto časť obsahuje aj niektoré príznaky, ktoré vám môžu pomôcť, ak kosačka nefunguje podľa očakávania.

LED KONTROLKY NA KOSAČKE



LED	STAV	VÝZNAM	AKCIA
1. Prevádzka (zelená)	Bliká	Režim obnovenia	Umiestnite robota do nabíjacej stanice až na 5 hodín a počkajte, kým zelená LED prestane blikať. Ak LED neprestane blikať, reštartujte robota mimo nabíjacej a skúste to znova.
	Svieti	Kosačka v prevádzkovom režime (nabíjanie, zaparkovaná v nabíjacej stanici, pozastavená, kosenie alebo vyhľadávanie)	
	Nesvieti	Kosačka bola zastavená pomocou tlačidla Stop na kosačke, bezpečnostný kľúč v deaktivovanej polohe, kosačka v chybovom stave alebo kosačka čakajúca na PIN kód.	
2. Pripojiteľnosť (modrá)	Bliká	Pokus o pripojenie na internetový server	
	Svieti	Pripojená na internetový server	
	Nesvieti	Kosačka nie je v „Zapnutom režime“	
3. Bezpečnosť (žltá)	Bliká	Vyžaduje sa oprávnenie pomocou kódu PIN	... cez mobilnú aplikáciu
	Nesvieti	Nie je potrebný žiadny pin	Nie je potrebná žiadna akcia
4. Chyba (červená)	Bliká	Kosačka sa zastavila s chybou	Skontrolujte príčinu chyby a potom ju znova spustíte stlačením tlačidla ŠTART na kosačke.

PRERUŠENIE HRANIČNÉHO A VODIACEHO KÁBLA

Prerušenia hraničného a vodiaceho kábla (ak sú nainštalované) sú zvyčajne dôsledkom neúmyselného fyzického poškodenia.

Skontrolujte celý hraničný kábel od nabíjacej stanice a naspäť.

Skontrolujte vodiaci kábel (ak je nainštalovaný) z nabíjacej stanice po pripojenie na hraničný kábel.

Skontrolujte, či boli všetky spojky správne stlačené pre vytvorenie spojenia.

Technické údaje

	OPTIMOW 10	OPTIMOW 15
Rozmery:		
Výška	26 cm	26 cm
Dĺžka	62 cm	62 cm
Šírka	50 cm	50 cm
Hmotnosť	11 kg	11 kg
Elektrický systém:		
Batéria, špeciálna lítium-iónová batéria	24 V / 2,0 Ah, číslo dielu 211022355 / T0100607-00	24 V / 2,0 Ah, číslo dielu 211022355 / T0100607-00
Napájanie	220 -240 V / 32 V DC	220 -240 V / 32 V DC
Dĺžka nízkonapäťového kábla	10 m	10 m
Stredná spotreba energie pri maximálnom použití	8 kWh/mesiac pre pracovnú plochu 1000 m ²	10 kWh/mesiac pre pracovnú plochu 1 500 m ²
Nabíjací prúd	1,3 A DC	1,3 A DC
Priemerný čas nabíjania	140 minút	70 minút
Priemerný čas kosenia	70 minút	70 minút
Emisie hluku: *)		
Meraná hladina akustického výkonu **)	55 dB (A)	55 dB (A)
Garantovaná hladina akustického výkonu	57 dB (A)	57 dB (A)
Hladina akustického tlaku ***)	44 dB (A)	44 dB (A)
Kosenie:		
Rezací systém	Tri otočné rezacie čepele	Tri otočné rezacie čepele
Priemerná spotreba energie pri rezaní	25 W ± 20%	25 W ± 20%
Výška kosenia	2-6 cm	2-6 cm
Šírka kosenia	22 cm	22 cm
Najmenší možný prechod	60 cm	60 cm
Maximálny sklon pre oblasť kosenia	35%	35%
Maximálny sklon hraničného kábla	15%	15%
Maximálna dĺžka hraničného kábla	800 m	800 m
Pracovná kapacita****)	1,000 m ²	1,500 m ²
Odporúčaná pracovná oblasť	0 - 700 m ²	500 - 1,200 m ²
Klasifikácia IP:		
Kosačka	IPX5	IPX5
Nabíjacia stanica	IPX3	IPX3
Napájanie	IP67	IP67

RÁDIOFREKVENČNÝ ÚDAJOVÝ LIST

	LTE & GSM	Zariadenia krátkeho dosahu (ZKD) (Ohraničujúci vodič)
Frekvenčné pásmo	LTE-FDD: B1/B2/B3/B4/B5/B8/B12/B13/B18/ B19/B20/B25/B26/B27/B28/B66/B71/B85 GSM: 850/900/1800/1900 MHz	0~148.5KHz
Maximálny menovitý výkon (dBm)	LTE-FDD: 21 dBm +1.7/-3 dB GSM850/EGSM900: 33 dBm ±2 dB DCS1800/PCS1900: 30 dBm ±2 dB GSM850/EGSM900 (8-PSK): 27 dBm ±3 dB DCS1800/PCS1900 (8-PSK): 26 dBm ±3 dB	NA

*) Vyhlásenia o emisiách hluku zodpovedajú norme EN 50636-2-107

**) nepravidelnosti KWA, 2 dB (A)

***) nepravidelnosti KPA, 2 dB (A)

****) Vyhlásenie o pracovnej kapacite je v súlade s EGMF RLM004-1.0/2016.

SK

Vyhlásenie o zhode CE

Názov a adresa výrobcu:

Výrobca: Globe Technologies Europe GmbH

Adresa: Brunnenweg 17, 64331 Weiterstadt, Nemecko

Názov a adresa spoločnosti oprávnenej vypracovať súbor technickej dokumentácie:

Názov: Ralf Pankalla

Adresa: Brunnenweg 17, 64331 Weiterstadt, Nemecko



Týmto prehlasujeme, že výrobok:

Skupina:	Robotická kosačka
Model:	Greenworks Optimow 10/ Greenworks Optimow 15
Výrobné číslo:	Pozrite si štítok s označením výrobku.
Výrobné č.	Pozrite si štítok s označením výrobku.

- Je v súlade s príslušnými ustanoveniami smernice o strojných zariadeniach 2006/42/ES
- je v súlade s nasledujúcimi smernicami:

- Elektromagnetická kompatibilita – smernica 2014/30/EU
- Rádiové zariadenia - smernica 2014/53/EÚ
- Smernica o nízkom napätí 2014/35/EU
- Nariadenie o obmedzení používania určitých nebezpečných látok v elektrických a elektronických zariadeniach (RoHS), smernica 2011/65/EU a 2015/863/EU

- Ďalej vyhlasujeme, že sa použili nasledujúce štandardy:

- EN 60335-1, EN 50636-2-107, EN 60335-2-29,
- EN 62233, EN 55014-1, EN 55014-2, EN 61000-3-2,
- EN 61000-3-3, EN 61558-1, EN 61558-2-16, EN 62311,
- EN 303 447, EN 303 413, EN 301 511,
- EN 301 489-1, EN 301 489-19, Draft ESTI EN 301 489-52,
- EN 62321-3-1, EN 62321-4, EN 62321-5, EN 62321-6,
- EN 62321-7-1, EN 62321-7-2, EN 62321-8

Ted Qu Haichao
Riaditeľ pre kvalitu
Weiterstadt, 26.06.2021

Ted Qu

SK

Na naslednjih straneh so navodila za varnost, servisiranje in vzdrževanje. Za delovanje glejte kratek vodnik, priložen stroju.

Pozorno preberite in preglejte vsa varnostna navodila, opozorila in previdnostne ukrepe v tem priročniku in v kratkem vodniku.

Če ne preberete in upoštevate teh navodil, opozoril in previdnostnih stavkov, lahko pride do hudih telesnih poškodb ali smrti oseb in domačih živalih ali do materialne škode.

Popoln priročnik z navodili je na voljo na

spletni strani: <https://url.globetools.systems/eHzNO>

Koda QR:



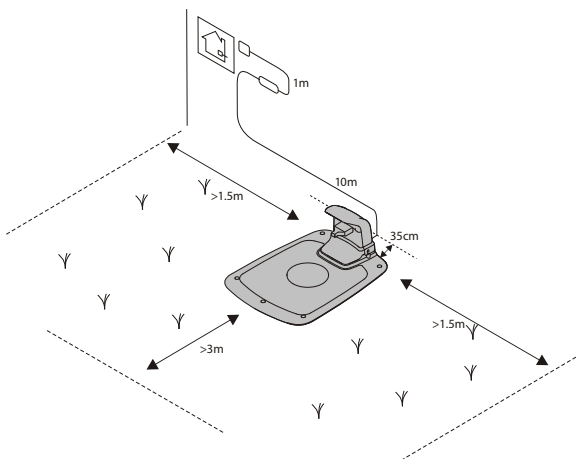
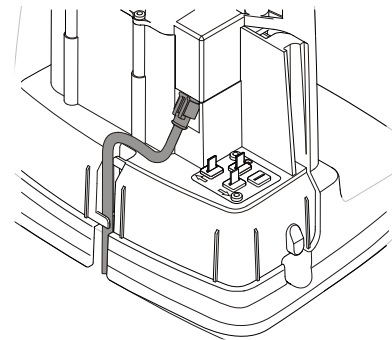
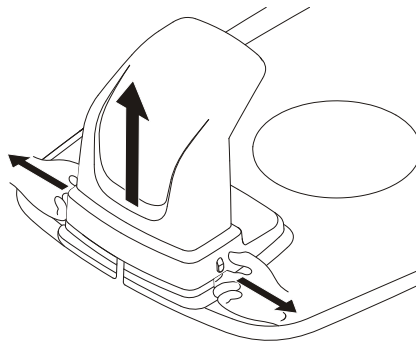
Vsebina

Namestitev	138
Priključitev napajalnika.....	138
Namestitev mejne žice.....	138
Varnost proizvoda	139
Razlaga simbolov na kosilnici.....	139
Branje priročnika za upravljavca.....	139
Varno delovanje.....	141
Okoljski pogoji proizvodnje	142
Odpravljanje težav	143
Indikatorske lučke LED na kosilnici.....	143
Lomi mejne in vodilne žice.....	143
Tehnični podatki.....	144
Izjava CE o skladnosti	145

SL

Materiali, tehnični podatki in slike v tem priročniku so predvideni le kot smernice in niso zavezujoči. Proizvajalec si pridržuje pravico do izvajanja kakršnih koli sprememb tehničnih značilnosti in vseh delovnih funkcij, materialov, tehničnih podatkov ali slik brez predhodnega opozorila.

Namestitev



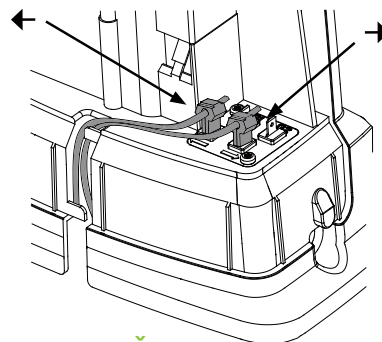
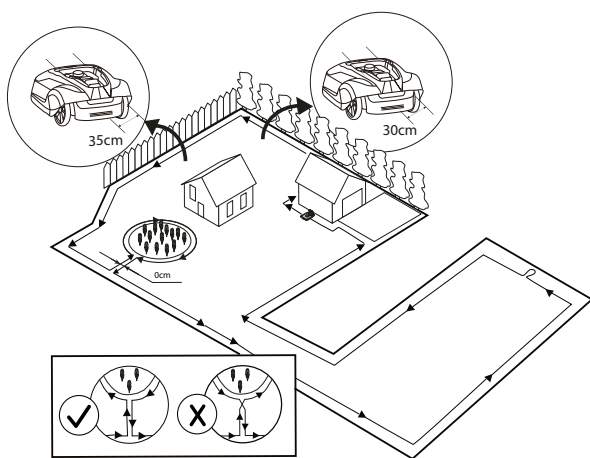
PRIKLJUČITEV NAPAJALNIKA

Napajalnik priključite v hladnem, suhem okolju, kjer ni neposredne sončne svetlobe.

Če je napajalnik priključen na zunanjo električno vtičnico, morata biti odobrena za uporabo v zunanjem prostoru.

Nizkonapetostni kabel lahko prehaja delovno območje, če je spet ali zakopan.

POZOR: Nizkonapetostnega kabla ne režite, spajajte ali spreminjajte. S spreminjanjem nizkonapetostnega kabla izničite garancijo proizvoda.



NAMESTITEV MEJNE ŽICE

Kolut žice odložite na polnilni postaji.

Vrnite se okrog meje delovnega območja in zavarujte mejno žico z zatiči ali pa jo zakopljite v tla. Zatiči so priporočeni, ker omogočajo prilagajanje v prvih nekaj tednih delovanja.

Pri pritrdjevanju mejne žice z zatiči:

- Travo kosite tako, da bo zelo nizka, s standardno kosilnico ali z obrezovalnikom na mestih, kjer boste položili žico.
- Mejno žico položite na tla in jo pritrdite z zatiči tako, da bodo zatiči na kratki razdalji.
- Zatiče potisnite ali s kladivom pritrdite v tla.

Zatičev ne potiskajte preveč v tla, da ne bi napeli mejne žice.

Pri zakopavanju mejne žice:

- Mejno žico zakopljite 1–20 cm v tla.

Za namestitev vodilne žice si oglejte celoten priročnik v spletu.



Varnost proizvoda

Več informacij je na voljo kot dopolnitev tega priročnika za upravljavca na spletnem mestu: www.greenworkstools.eu

RAZLAGA SIMBOLOV NA KOSILNICI



To je nevarno električno orodje. Pri upravljanju bodite previdni in upoštevajte vse varnostne napotke in opozorila.

Pred uporabo kosilnice pozorno preberite priročnik za upravljavca.



Odstranite varnostni ključ, preden začnete delati na kosilnici ali jo začnete dvigati.



Med delovanjem obstaja nevarnost izmetavanja predmetov.

Ko kosilnica deluje, ohranite varno razdaljo in poskrbite, da so ljudje, zlasti otroci, domače živali in mimoidoči oddaljeni od območja delovanja kosilnice.



Ne vozite se s kosilnico.



Naprava razreda III.

BRANJE PRIROČNIKA ZA UPRAVLJAVCA

Naslednji simboli so pomembni za branje in razumevanje navodil za uporabo.



Nosite zaščitne rokavice.

Za olajšanje razumevanja je v priročniku za upravljavca uporabljen naslednji sistem:

- **OPOZORILO!** Opozorilna besedila opozarjajo uporabnike in potrošnike na obstoj in naravo nevarnosti, tako da lahko preprečijo telesne poškodbe z ustreznim vedenjem med uporabo proizvoda.
- **POZOR:** Svarilna besedila opozarjajo uporabnike in potrošnike na obstoj in naravo nevarnosti proizvodov, tako da lahko preprečijo poškodbe proizvoda z ustreznim vedenjem med uporabo proizvoda.
- **OPOMBA:** Opombe obveščajo uporabnike in potrošnike o dodatnih informacijah glede uporabe proizvoda.
- **Odebeljeno in ležeče** besedilo se nanaša na drug razdelek v priročniku za upravljavca.
- **Odebeljeno** besedilo se nanaša na nastavitve kosilnice.

SL

Varnost proizvoda

POMEMBNO

PRED UPORABO NATANČNO PREBERITE! SHRANITE ZA PRIHODNJO UPORABO!

Varne delovne prakse

Usposabljanje

OPOZORILO! Samodejno delujoča kosilnica! Napravi se ne približujte! Nadzirajte otroke!

- Pozorno preberite navodila. Seznanite se s krmilniki in pravilno uporabo naprave.
- Nikoli ne dovolite, da napravo uporabljajo osebe, ki niso seznanjene s temi navodili, ali otroci. Lokalni predpisi morda omejujejo starostno mejo upravljavcev.
- Upravljavec ali uporabnik je odgovoren za nesreče drugih ljudi ali nastanek škode na lastnini ali nevarnosti, ki obstajajo zanje.

Priprava

- Poskrbite za pravilno namestitve mejnih in vodilnih žic v skladu z navodili.
- Območje, kjer boste uporabljali napravo, periodično pregledajte in odstranite vse kamne, palice, žice, kosti in druge tujke.
- Napravo periodično vizualno pregledajte glede obrabe ali poškodb rezil, vijakov rezil in sklopa rezalnika. Obrabljena ali poškodovana rezila in vijake zamenjajte hkrati, da ohranite uravnoteženost naprave.

Delovanje

- Nikoli ne uporabljajte naprave z okvarjenimi varovali ali brez nameščenih varnostnih naprav, na primer brez ohišja.
- Z rokama ali s stopaloma ne segajte pod vrteče se dele ali v njihovo bližino.
- Med delovanjem motorja naprave ne dvigujte ali nosite.
- Z naprave odstranite (ali upravljajte) napravo za blokiranje:
 - pred odpravljanjem blokade,
 - pred pregledom, čiščenjem ali delom na napravi.
- Delujoče naprave ne puščajte brez nadzora, če veste, da so v bližini domače živali, otroci ali odrasli.

Vzdrževanje in shranjevanje

- Vse matice, sorniki in vijaki naj bodo trdno priviti, da boste zagotovili varno delovno stanje naprave.
- Iz varnostnih razlogov zamenjajte izrabljene ali poškodovane dele.
- Poskrbite, da so uporabljena le nadomestna rezalna sredstva prave vrste.
- Poskrbite, da so baterije napolnjene s pravilnim polnilnikom, ki ga priporoča proizvajalec. Nepravilna uporaba lahko povzroči električni udar, pregrevanje ali iztekanje korozivne tekočine iz baterije.
- V primeru iztekanja elektrolita prizadeto mesto sperite z vodo/s sredstvom za nevtralizacijo, če pa elektrolit pride v stik z očmi itd., poiščite zdravniško pomoč.
- Servisiranje naprave mora biti izvedeno v skladu z navodili proizvajalca.

OPOZORILO! Za ponovno polnjenje baterije uporabite le snemljivo napajalno enoto, ki je priložena tej napravi.

OPOZORILO! Ta aparat vsebuje baterije, ki jih lahko zamenja le ustrezno usposobljena oseba.

Delovanje

ZAGON IN ZAUSTAVITEV KOSILNICE

Za zagon kosilnice:

- 1 Vstavite varnostni ključ in ga obrnite v nasprotni smeri urnega kazalca v položaj »1«.
- 2 Zapah gumba **START** (ZAGON) potisnite nazaj.
- 3 Pritisnite gumb **START** (ZAGON).

Ustavitev kosilnice:

Na kosilnici pritisnite gumb **STOP** (USTAVI).

140 | GREENWORKSTOOLS.EU

Version 3 - 2022.08.30

IZKLOP KOSILNICE

Na kosilnici pritisnite gumb **STOP** (USTAVI) in odstranite varnostni ključ.

OPOZORILO! Pri izvajanju vzdrževanja ali če je treba premakniti kosilnico, vedno odstranite varnostni ključ.

VARNO DELOVANJE

V tem priročniku za upravljavca so vse osnovne informacije glede varnega delovanja in vzdrževanja kosilnice.



Pred uporabo kosilnice natančno preberite vse informacije o varnostnih ukrepih in navodila v tem priročniku za upravljavca. Ta priročnik za upravljavca shranite za poznejšo uporabo. Upoštevajte navodila proizvajalca glede namestitve, delovanja, vzdrževanja in popravil.

Ta kosilnica je zasnovana za košnjo trave na odprtih in ravnih območjih. Uporabljajte le opremo, ki jo priporoča proizvajalec. Vse druge vrste uporabe so nepravilne.



Ta kosilnica je skladna z varnostnimi standardi CE in direktivami o elektromagnetni združljivosti, strojih in nizki napetosti.



Kosilnice ne smejo uporabljati osebe (vključno z otroki) z zmanjšanimi fizičnimi, senzoričnimi ali duševnimi sposobnostmi ali osebe brez izkušenj oziroma znanja, razen če so pod nadzorom ali če so od osebe, odgovorne za njihovo varnost, prejele navodila za uporabo naprave.

Otroke je treba nadzirati in tako zagotoviti, da se z napravo ne igrajo.

Kosilnico smejo upravljati, vzdrževati in popravljati le osebe, ki povsem razumejo njene posebne značilnosti in varnostne predpise.

Kosilnico zaženite v skladu z navodili. Ko je varnostni ključ v položaju Enabled (Omogočeno), držite roki in stopali proč od vrtečih se rezil.

Z rokama in s stopaloma nikoli ne segajte pod kosilnico.

Ne spreminjajte izvirne zasnove kosilnice. Vsakršne spremembe izničijo garancijo.

Izklopite kosilnico z gumbom STOP (USTAVI) na kosilnici, če so na območju košnje osebe, zlasti otroci, ali domače živali. Priporočljivo je, da je kosilnica programirana za uporabo v času, ko na območju ni oseb ali domačih živali.

Z delovnega območja odstranite predmete, kot so veje, igrače, kamni ali orodja, ki lahko poškodujejo rezila. Na delovnem območju se lahko v kosilnico zataknejo predmeti, zato boste morda pri odstranjevanju predmetov potrebovali pomoč, preden boste lahko nadaljevali s košnjo.

Kosilnice nikoli ne dvigajte ali je nosite, če je vstavljen varnostni ključ.

Kosilnico vedno izklopite z gumbom STOP (USTAVI), če kosilnica ni v uporabi. Kosilnica se lahko zažene le, če je vstavljen varnostni ključ in je pritisnjen gumb START (ZAGON).

Vgrajeni alarm je zelo glasen. Bodite previdni, zlasti če se kosilnica uporablja v notranjih prostorih.

Kosilnice ne uporabljajte, če je rezalni disk ali telo poškodovano.

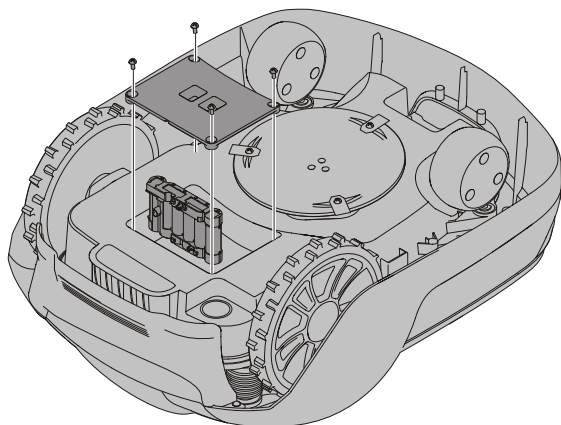
Osebam, ki niso seznanjene z načinom delovanja in vedenja kosilnice, ne dovolite uporabe kosilnice.

Na zgornji del kosilnice ali njeno polnilno postajo ne postavljajte ničesar.



Vedno nosite zaščitne rokavice pri delu z rezili kosilnice.

Zamenjava baterije



OPOZORILO! V primeru iztekanja elektrolita prizadeto mesto sperite z vodo/sredstvom za nevtralizacijo, če pa elektrolit pride v stik z očmi, poiščite zdravniško pomoč.

Baterijo polnite le v originalni polnilni postaji. Nepravilna uporaba lahko povzroči električni udar, pregrevanje ali iztekanje jedke tekočine iz baterije.

Baterije ni treba vzdrževati, vendar ima omejeno življenjsko dobo od 2 do 4 let, kar je odvisno od trajanja sezone in od tega, koliko ur v dnevno je kosilnica v uporabi.

OPOZORILO! Pritisnite gumb STOP (USTAVI) in odstranite varnostni ključ, preden zamenjate baterije. Pri tem nosite zaščitne rokavice.

POZOR: Uporabite le originalne nadomestne dele.

Kosilnico obrnite tako, da bo zgornji del obrnjen navzdol, in odstranite štiri vijake Torx T20. Nato odstranite pokrov predala za baterijo.

Odklopite končni povezovalnik za baterije.

Dvignite baterijo naravnost, da jo odstranite.

V režo 1 (zadnjo režo) vstavite novo baterijo.

Končni povezovalnik za baterije priključite na novo baterijo.

Pokrov predala za baterijo znova namestite ter vstavite in privijte štiri vijake Torx T20.

Varnostni ključ vstavite v spodnjo stran kosilnice in ga obrnite na položaj za vklop. Kosilnico postavite v polnilno postajo, da omogočite in napolnite baterijo.

Okoljski pogoji proizvodnje



V skladu z evropsko Direktivo 2012/19/EU o odpadni električni in elektronski opremi in v skladu z evropsko Direktivo 2006/66/EC je treba okvarjene ali izrabljene baterijske sklope/baterije zbrati ločeno in jih zavreči na okolju sprejemljiv način.

Simbol na kosilnici ali embalaži kosilnice označuje, da tega proizvoda ni mogoče obravnavati kot gospodinjanskega odpadka. Namesto tega ga je treba oddati v primernem centru za recikliranje, da se reciklirajo njegove elektronske komponente in baterije.

Baterije so nameščene v ogrodju pod kosilnico.

Če pravilno skrbite za ta proizvod, lahko nevtralizirate morebitni negativni vpliv na okolje in ljudi, do katerega lahko sicer pride na podlagi nepravilnega odlaganja tega proizvoda med odpadke.

Za podrobnejše informacije o recikliranju tega proizvoda se obrnite na občino, komunalne službe ali trgovino, v kateri ste proizvod kupili.

SL



Ločeno zbiranje odpadnih izdelkov ter embalaže omogoča recikliranje materialov in njihovo ponovno uporabo. Vnovična uporaba recikliranih materialov preprečuje onesnaževanje okolja in zmanjša potrebo po surovinah.

Batteries



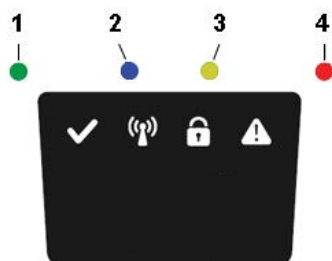
Li-ion

Na koncu življenjske dobe baterije zavržite v skladu z okoljevarstvenimi zahtevami. Baterija vsebuje snov, ki je nevarna za vas in okolje. Zato je baterije treba zavreči ločeno na mestu, kjer sprejemajo litij-ionske baterije.

Odpravljanje težav

V tem poglavju so predstavljeni tudi nekateri simptomi, ki so vam lahko v pomoč, če kosilnica ne deluje v skladu s pričakovanji.

INDIKATORSKE LUČKE LED NA KOSILNICI



LUČKA LED	STANJE	POMEN	UKREP
1. Delovanje (zelena)	Utripanje	Način za obnovitev	Robota vstavite v polnilno postajo, kjer naj se polni do 5 ur, in počakajte, da zelena lučka LED neha utripati. Če lučka LED ne neha utripati, robota ponovno zaženite zunaj polnilne postaje in poskusite znova.
	Sveti	Kosilnica je v načinu delovanja (polnjenje, parkirana v polnilni postaji, začasno zaustavljena, košenje ali iskanje)	
	Ne sveti	Kosilnica je ustavljena prek gumba za Stop na kosilnici, varnostni ključ je v položaju za onemogočenje, kosilnica je v stanju napake ali pa kosilnica čaka na kodo PIN.	
2. Povezljivost (modra)	Utripa	Poskus povezovanja z internetnim strežnikom	
	Vklopljena	Povezava z internetnim strežnikom je vzpostavljena	
	Izklopljena	Kosilnica ni v načinu »Power on« (Napajanje je vklopljeno)	
3. Varnost (rumena)	Utripa	Potrebna je avtorizacija kode PIN	... prek mobilne aplikacije
	Izklopljena	Koda PIN ni zahtevana	Ni potrebno ukrepanje.
4. Napaka (rdeča)	Utripa	Kosilnica je ustavljena z napako	Ugotovite vzrok napake in nato kosilnico zaženite znova tako, da pritisnete gumb Start (Zagon) na kosilnici.

SL

LOMI MEJNE IN VODILNE ŽICE

Lomi mejne in vodilne žice (če je položena) so po navadi rezultat nenamerne fizične poškodbe.

Preglejte celotno mejno žico od polnilne postaje in nazaj do nje.

Preglejte vodilno žico (če je položena) od polnilne postaje do spoja z mejno žico.

Preverite, ali so bili vsi spojniki pravilno stisnjeni za ustvarjanje spojev.

Tehnični podatki

	OPTIMOW 10	OPTIMOW 15
Mere:		
Višina	26 cm	26 cm
Dolžina	62 cm	62 cm
Širina	50 cm	50 cm
Teža	11 kg	11 kg
Električni sistem:		
baterija, posebna litij-ionska baterija	24 V/2,0 Ah, št. dela 211022355 / T0100607-00	24 V/2,0 Ah, št. dela 211022355 / T0100607-00
Napajalnik	220-240 V/32 V DC	220-240 V/32 V DC
Dolžina nizkonapetostnega kabla	10 m	10 m
Povprečna poraba električne energije pri največji uporabi	8 kWh/mesec pri delovnem območju 1.000 m ²	10 kWh/mesec pri delovnem območju 1.500 m ²
Polnilni tok	1.3 A DC	1.3 A DC
Povprečni čas polnjenja	140 minut	70 minut
Povprečni čas košnje	70 minut	70 minut
Emisije hrupa: *)		
Izmerjena raven zvočne moči hrupa**)	55 dB (A)	55 dB (A)
Zajamčena raven zvočne moči hrupa	57 dB (A)	57 dB (A)
Raven zvočnega tlaka hrupa***)	44 dB (A)	44 dB (A)
Košnja:		
rezalni sistem	Tri vrtilna rezila	Tri vrtilna rezila
Povprečna poraba energije med rezanjem	25 W ± 20%	25 W ± 20%
Višina košnje	2-6 cm	2-6 cm
Širina košnje	22 cm	22 cm
Najožji možni prehod	60 cm	60 cm
Največja naklonska površina za košnjo	35%	35%
Največji naklon za mejno žico	15%	15%
Največja dolžina mejne žice	800 m	800 m
Delovna zmogljivost****)	1,000 m ²	1,500 m ²
Priporočena zmogljivost glede na območje	0 - 700 m ²	500 - 1,200 m ²
Klasifikacija IP		
Kosilnica	IPX5	IPX5
Polnilna postaja	IPX3	IPX3
Napajalnik	IP67	IP67

PODATKOVNI LIST Z RADIJSKIMI FREKVENCAMI

	LTE & GSM	Naprave kratkega dosega (SRD) (mejna žica)
Frekvenca	LTE-FDD: B1/B2/B3/B4/B5/B8/B12/B13/B18/ B19/B20/B25/B26/B27/B28/B66/B71/B85 GSM: 850/900/1800/1900 MHz	0~148.5KHz
Največja izhodna moč (dBm)	LTE-FDD: 21 dBm +1.7/-3 dB GSM850/EGSM900: 33 dBm ±2 dB DCS1800/PCS1900: 30 dBm ±2 dB GSM850/EGSM900 (8-PSK): 27 dBm ±3 dB DCS1800/PCS1900 (8-PSK): 26 dBm ±3 dB	NA

*) Deklaracija o emisiji hrupa: skladno z EN 50636-2-107

**) negotovosti KWA, 2 dB(A)

***) negotovosti KPA, 2 dB(A)

****) Izjava o delovni zmogljivosti je v skladu s standardom RLM004-1.0/2016 organizacije EGME.

Izjava CE o skladnosti



Ime in naslov proizvajalec:

Proizvajalec: Globe Technologies Europe GmbH

Naslov: Brunnenweg 17, 64331 Weiterstadt, Nemčija

Ime in naslov osebe, ki je pooblaščen za sestavljanje tehnične dokumentacije:

Ime: Ralf Pankalla

Naslov: runnenweg 17, 64331 Weiterstadt, Nemčija

S tem izjavljamo, da je izdelek:

Kategorija:	Robotska kosilnica
Model:	Greenworks Optimow 10/ Greenworks Optimow 15
Serijska številka:	glejte nalepko s podatki o izdelku..
Serijska št.	glejte nalepko s podatki o izdelku..

- 15. Je v skladu z ustreznimi določbami Direktive o strojih 2006/42/ES
- Je v skladu z določbami naslednjih direktiv:

• Elektromagnetna združljivost – Direktiva 2014/30/EU

• Radijska oprema – Direktiva 2014/53/EU

• Direktiva o nizki napetosti 2014/35/EU

• Omejitev uporabe nekaterih nevarnih

snovi v električni in elektronski

opremi (RoHS) Direktiva 2011/65/EU in (EU) 2015/863

- Poleg tega izjavljamo, da so bili uporabljeni naslednji standardi:

• EN 60335-1, EN 50636-2-107, EN 60335-2-29,

• EN 62233, EN 55014-1, EN 55014-2, EN 61000-3-2,

• EN 61000-3-3, EN 61558-1, EN 61558-2-16, EN 62311,

• EN 303 447, EN 303 413, EN 301 511,

• EN 301 489-1, EN 301 489-19, Osnutek ESTI EN 301 489-52,

• EN 62321-3-1, EN 62321-4, EN 62321-5, EN 62321-6,

• EN 62321-7-1, EN 62321-7-2, EN 62321-8

Ted Qu Haichao
Direktor za preverjanje kakovosti

Weierstadt, 26.06.2021

Ted Qu

SL

Na sljedećim stranicama nalaze se sigurnosne napomene i upute za servisiranje i održavanje. Za rad sa strojem pogledajte brzi vodič isporučen sa strojem.

Pozorno i u cijelosti pročitajte i pregledajte sigurnosne napomene, upozorenja i mjere opreza sadržane u ovom priručniku i brzom vodiču.

Zanemarivanje čitanja i pridržavanja ovih uputa, upozorenja i mjera opreza može rezultirati teškim ozljedama ili smrću osoba i kućnih ljubimaca ili oštećenjem osobne imovine.

Cjelovite upute za uporabu dostupne su na

internetskoj stranici: <https://url.globetools.systems/qYZKj>

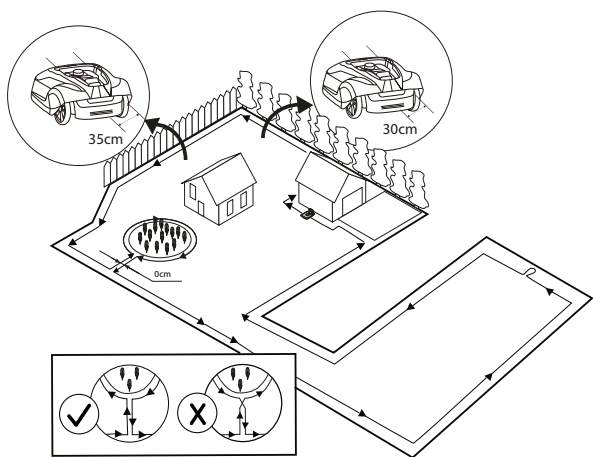
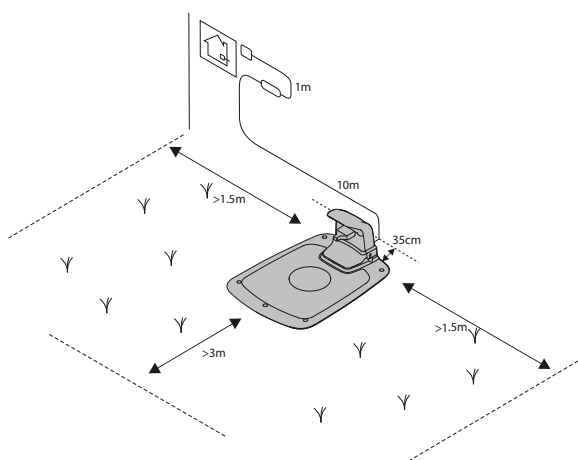
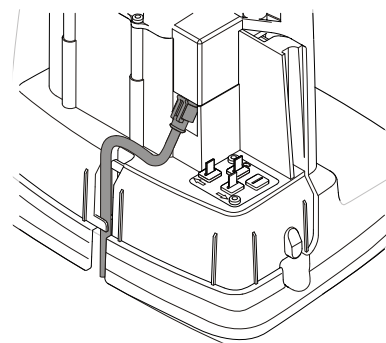
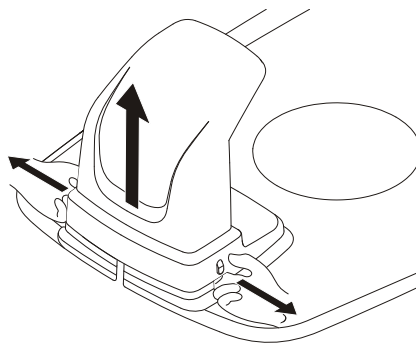
QR kôd:



Sadržaj

Ugradnja	147
Priključivanje električnog napajanja	147
Postavljanje granične žice	147
Sigurnost uređaja	148
Objašnjenja simbola na kosilici	148
Čitanje priručnika za rukovatelje	148
Sigurnost pri radu	150
Zaštita okoliša	151
Otklanjanje problema	152
Svjetlosne diode indikatori na kosilici	152
Prekidi granične žice i žice vodilice	152
Tehnički podaci	153
CE izjava o sukladnosti	154

Materijali, tehnički podaci i slike u ovom priručniku služe samo kao smjernice i nisu obvezujući.
Proizvođač pridržava prava na mijenjanje tehničkih značajki i svih svojstava što se tiče rada s uređajem, tehničkih podataka ili slika bez prethodnog upozorenja.

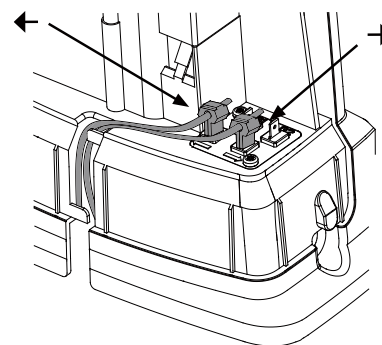


PRIKLJUČIVANJE ELEKTRIČNOG NAPAJANJA

Priključite izvor napajanja u hladnom, suhom okruženju, izvan izravnog djelovanja sunčevog svjetla.

Ako je izvor napajanja uključen u električnu utičnicu na otvorenom, mora biti odobren za upotrebu na otvorenom. Niskonaponski kabel može prelaziti preko radnog područja ako ga se pričvrsti klamericama za tlo ili zakopa.

OPREZ: Nemojte rezati, uplitati ili preinačivati niskonaponski kabel. Preinačivanje niskonaponskog kabla će poništiti jamstvo na proizvod.



POSTAVLJANJE GRANIČNE ŽICE

Položite kolut žice za petlje na stanicu za punjenje.

Idite natraške oko granice radnog područja i pričvršćujte graničnu žicu bilo kolčićima ili zakapanjem u zemlju. Kolčići se preporučuju jer omogućuju prilagođivanje tijekom prvih nekoliko tjedana rada.

Kad pričvršćujete graničnu žicu kolčićima:

- Pokosite travu jako nisko običnom kosilicom ili trimerom tamo kuda ćete polagati žicu.
- Položite graničnu žicu na pod i pričvrstite je s kolčićima tako da su blizu jedan drugome.
- Zagurajte ili čekićem zabijte kolčiće u zemlju.

Nemojte zabijati kolčiće tako duboko u tlo da granična žica bude napregnuta.

Kad zakapate graničnu žicu:

- Zakopajte graničnu žicu od 1 do 20 cm ispod površine tla.
- Za ugradnju žice vodilice pogledajte cjeloviti priručnik na mreži.

Sigurnost uređaja

Kao dodatak ovom priručniku za rukovanje naći ćete dodatne informacije na sljedećim internetskim stranicama: www.greenworkstools.eu

OBJAŠNJENJA SIMBOLA NA KOSILICI



Riječ je o vrlo moćnom i opasnom alatu. Budite pažljivi kod rukovanja i poštujujte sve sigurnosne upute i upozorenja.

Prije rada s kosilicom pažljivo pročitajte priručnik za rukovatelje.



Izvadite sigurnosni ključ prije rada na kosilici ili dizanja kosilice.



Opasnost od odbačenih predmeta tijekom rada.

Držite se na sigurnoj udaljenosti od kosilice kad radi i držite ljude, osobito djecu, kućne ljubimce i promatrače daleko od područja na kojem kosilica radi.



Nemojte se voziti na kosilici.



Aparat klase III

ČITANJE PRIRUČNIKA ZA RUKOVATELJE

Sljedeći simboli su bitni za čitanje uputa za rukovanje s razumijevanjem.



Nosite zaštitne rukavice

U priručniku za rukovatelja upotrebljava se sljedeći sustav kako bi se olakšalo razumijevanje:

- **UPOZORENJE!** Tekstovi upozorenja upozoravaju korisnike i potrošače na postojanje i narav opasnosti tako da mogu odgovarajućim ponašanjem spriječiti ozljeđivanje tijekom uporabe ovog proizvoda.
- **OPREZ:** Tekstovi opomene na oprez upozoravaju korisnike i potrošače na postojanje i narav opasnosti tako da mogu odgovarajućim ponašanjem spriječiti oštećivanje ovog proizvoda tijekom njegove uporabe.
- **NAPOMENA:** Napomene izvješćuju korisnike i potrošače o dodatnim podacima o uporabi proizvoda.
- Tekst napisan **masnim kurzivom** upućuje na neki drugi odjeljak u priručniku za rukovatelja.
- Tekst napisan **masnim** slovima odnosi se na postavke kosilice.

Sigurnost uređaja

VAŽNO

PAŽLJIVO PROČITAJTE PRIJE UPOTREBE! SAČUVAJTE ZA BUDUĆE POTREBE!

Obuka

UPOZORENJE! Automatska kosilica! Držite se dalje od stroja! Imajte djecu pod nadzorom!

- Pažljivo pročitajte upute. Upoznajte se s upravljačkim elementima i propisnom uporabom stroja.
- Nemojte dopustiti da osobe koje nisu upoznate s ovim uputama ili djeca koriste stroj. Lokalni propisi mogu ograničavati starosnu dob rukovatelja.
- Rukovatelj ili korisnik snose odgovornost za nezgode ili opasnost za druge ljude ili njihovu imovinu.

Priprema

- Osigurajte propisnu ugradnju graničnih žica i žica vodilica prema uputama.
- Redovito pregledavajte područje na kojemu ćete koristiti stroj i uklonite sve kamenje, štapove, žice, kosti i druge strane predmete.
- Redovito pregledavajte da noževi, vijci noževa i rezni sklopovi nisu istrošeni ili oštećeni. Zajedno zamjenjujte istrošene ili oštećene noževe i vijke kako biste sačuvali ravnotežu;

Općenito

- Nemojte rukovati strojem s oštećenim štitnicima ili ako sigurnosne naprave, primjerice kućište, nisu na svom mjestu.
- Ne dovodite ruke ili stopala u blizini ili ispod rotirajućih dijelova.
- Nemojte dizati ili prenositi stroj dok je motor u radu.
- Uklonite (ili pokrenite) napravu za blokiranje sa stroja.
 - prije uklanjanja blokade;
 - prije provjere, čišćenja ili rada sa strojem.
- Nemojte ostavljati stroj da radi bez nadzora ako znate da su u blizini kućni ljubimci, djeca ili ljudi.

Održavanje i skladištenje

- Matice, svornjake i vijke održavajte stegnutima kako bi stroj radio sigurno.
- Iz sigurnosnih razloga zamijenite oštećene ili istrošene dijelove.
- Koristite samo propisane zamjenske rezne dijelove odgovarajuće vrste.
- Provjerite jesu li baterije napunjene odgovarajućim punjačem kojega je preporučio proizvođač. Nepravilna upotreba može prouzročiti električni udar, pregrijavanje ili curenje korozivne tekućine iz baterije.
- U slučaju curenja elektrolita isperite vodom ili neutralizirajućim sredstvom, zatražite liječničku pomoć ako dođe u dodir s očima itd.
- Stroj se mora održavati sukladno s proizvođačevim uputama.

UPOZORENJE! Za svrhe ponovnog punjenja baterije upotrebljavajte samo odvojivu jedinicu za napajanje isporučenu s ovim uređajem.

UPOZORENJE! Ovaj uređaj sadrži baterije koje može zamijeniti samo stručna osoba.

Rukovanje

POKRETANJE I ZAUSTAVLJANJE KOSILICE

Pokretanje rada kosilice:

- 1 Utaknite sigurnosni ključ i okrenite ga u smjeru suprotnom od kazaljke na satu u položaj "1".
- 2 Pomaknite blokadu gumba za pokretanje (gumba **START**) prema natrag.
- 3 Pritisnite gumb **START**.

Zaustavljanje rada kosilice:

Pritisnite gumb **STOP** na kosilici.

ISKLJUČIVANJE KOSILICE

Pritisnite gumb za zaustavljanje (**STOP**) na kosilici i izvadite sigurnosni ključ.

UPOZORENJE! Uvijek izvadite sigurnosni ključ tijekom održavanja ili ako se kosilica mora premjestiti.

SIGURNOST PRI RADU

Priručnik za rukovatelja sadrži sve osnovne podatke koji se tiču sigurnog rada i održavanja kosilice.



Pažljivo pročitajte sve sigurnosne mjere opreznosti i upute u ovom priručniku za rukovatelja prije rukovanja kosilicom. Čuvajte ovaj priručnik za buduću upotrebu. Postupajte prema proizvođačevim uputama što se tiče instalacije, rukovanja, održavanja i popravka.

Ova je kosilica namijenjena za košenje trave na otvorenom prostoru i vodoravnim površinama. Upotrebljavajte samo opremu koju preporučuje proizvođač. Sve druge vrste uporabe su nepravilne.



Ova kosilica u skladnosti je s CE standardima o sigurnosti i direktivama o elektromagnetskoj kompatibilnosti, strojevima i niskom naponu.



Kosilica nije izvedena tako da ju mogu koristiti osobe (uključujući djecu) sa smanjenim tjelesnim, osjetilnim ili mentalnim sposobnostima ili neobučene i neiskusne osobe ako to ne čine pod nadzorom ili prema uputama koje se odnose na upotrebu i koje pružaju osobe koje odgovaraju za njihovu sigurnost.

Djeca moraju biti pod nadzorom kako se ne bi igrala uređajem.

Kosilicom moraju rukovati, održavati je i popravljati samo osobe koje potpuno razumiju njezine posebne značajke i sigurnosne propise.

Pokrenite kosilicu sukladno uputama. Kada je sigurnosni ključ u položaju Omogućeno (**Enabled**), držite ruke i stopala dalje od rotirajućih noževa.

Nemojte stavljati ruke ili stopala pod kosilicu.

Nemojte preinačivati izvornu konstrukciju kosilice. Sve preinake poništavaju pravo na jamstvo.

Isključite kosilicu gumbom STOP na kosilici kad su u području košnje osobe, osobito djeca ili kućni ljubimci. Preporučuje se da se kosilica programira za upotrebu u vremenu kada na tom području nema ljudi ili kućnih ljubimaca.

S površine na kojoj će se raditi uklonite predmete kao što su grane, igračke, kamenje, alati koji mogu oštetiti oštrice noža. Kosilica može zapeti za predmete na površini na kojoj radi i može zatrebati pomoć pri uklanjanju predmeta prije nego što kosilica može nastaviti kositi.

Nemojte dizati kosilicu ili je nositi s utaknutim sigurnosnim ključem.

Isključite kosilicu gumbom STOP kad ju ne upotrebljavate. Kosilica se može pokrenuti samo kad je utaknut sigurnosni ključ i pritisne se gumb START.

Ugrađeni alarm je jako glasan. Budite oprezni, osobito ako kosilicom rukujete u zatvorenom prostoru.

Nemojte upotrebljavati kosilicu s neispravnim diskom za noževe ili kućištem.

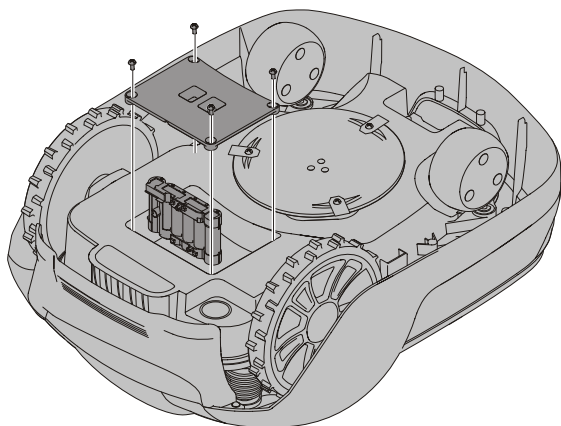
Osobama koje ne znaju kako kosilica radi i kako se ponaša nemojte dopustiti da je upotrebljavaju.

Nemojte ništa stavljati na kosilicu ili njezinu stanicu za punjenje.



Nosite zaštitne rukavice kad radite s noževima za kosilicu.

Zamjena baterije



UPOZORENJE! U slučaju curenja elektrolita isperite vodom ili neutralizirajućim sredstvom i zatražite liječničku pomoć ako elektrolit dođe u dodir s očima

Bateriju punite samo originalnom stanicom za punjenje. Nepravilna uporaba može prouzročiti električni udar, pregrijavanje ili curenje korozivne tekućine iz baterije.

Baterija se ne mora održavati, ali ima ograničen radni vijek od 2 do 4 godine, ovisno o duljini sezone i o tome koliko sati dnevno se kosilica upotrebljava.

UPOZORENJE! Pritisnite gumb STOP i izvadite sigurnosni ključ prije zamjene baterija i nosite zaštitne rukavice.

OPREZ: Koristite samo originalne zamjenske dijelove.

Okrenite kosilicu naopako i izvadite četiri torx T20 vijka, pa skinite poklopac baterije.

Odspojite konektor stezaljki baterije.

Podignite bateriju ravno van.

Umetnite novu bateriju u utor 1 (stražnji utor).

Spojite konektor stezaljki baterije na novu bateriju.

Vratite poklopac baterije na njegovo mjesto i umetnite i zategnite četiri Torx T20 vijka.

Umetnite sigurnosni ključ u donju stranu kosilice i okrenite ga u položaj za omogućavanje. Postavite kosilicu u stanicu za punjenje radi omogućavanja i punjenja baterije.

Proizvodnja u skladu sa zaštitom okoliša



Prema Europskoj Direktivi 2012/19/EU o otpadnoj električnoj i elektroničkoj opremi i prema Europskoj Direktivi 2006/66/EC, neispravni ili iskorišteni baterijski moduli/baterije moraju se zasebno prikupljati i zbrinuti na ekološki prihvatljiv način.

Simbol na kosilici ili njezinoj ambalaži označava da se s ovim proizvodom ne može postupati kao s kućnim smećem. Umjesto toga mora se ostaviti u odgovarajućem reciklažnom centru kako bi se njezini elektronički dijelovi i baterije reciklirali.

Baterije su zatvorene u kućište ispod kosilice.

Osiguravajući da se ovaj proizvod pravilno zbrinjava možete pomoći u sprečavanju mogućeg negativnog utjecaja na okoliš i ljude do kojeg inače može doći kod nepravilnog postupanja s otpadom ovog proizvoda.

Više pojedinosti o recikliranju ovog proizvoda zatražite od lokalnih vlasti, vaše lokalne organizacije za zbrinjavanje otpada ili trgovine u kojoj ste kupili ovaj proizvod.



Odvojeno prikupite iskorištene proizvode i ambalažu kako bi se materijali mogli reciklirati i ponovno koristiti. Ponovno korištenje recikliranih materijala pomaže očuvanju onečišćenja okoliša i smanjuje zahtjeve za sirovinama.

Batteries

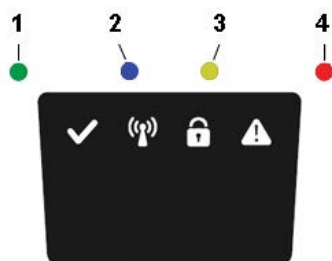


Na kraju vijeka trajanja, pažljivo odložite baterije radi brige o okolišu. Baterije sadrže materijal koji je opasan za vas i okoliš. Mora se ukloniti i odložiti u odvojenom odlagalištu koji prihvaća litij-ionske baterije.

Otklanjanje problema

Ovaj dio navodi i neke simptome koji vam mogu poslužiti kao smjernice ako kosilica ne radi onako kako se to od nje očekuje.

SVJETLOSNE DIODE INDIKATORI NA KOSILICI



LED	STANJE	ZNAČENJE	RADNJA
1. U radu (zeleno)	Trepće	Način rada obnove	Robotsku kosilicu stavite u postaju za punjenje do 5 sati i pričekajte da LED svjetlosni indikator prestane treperiti. Ako LED svjetlosni indikator ne prestane treperiti, ponovno pokrenite robotsku kosilicu izvan CS-a i pokušajte ponovno.
	Uključeno	Kosilica je u radnom stanju (punjenje, parkirana u stanici za punjenje, u pauzi, košenju ili pretraživanju)	
	Isključeno	Kosilica zaustavljena gumbom za Stop na kosilici, sigurnosni ključ u položaju za onemogućavanje, kosilica u stanju greške ili kosilica čeka na PIN kôd.	
2. Spajanje za podatkovni prijenos (plavo)	Trepće	Pokušaj spajanja s internetskim poslužiteljem	
	On (uključeno)	Povezano s internetskim poslužiteljem	
	Off (isključeno)	Kosilica nije uključena (u "Power on režimu")	
3. Sigurnost (žuto)	Trepće	Mora se unijeti PIN kôd	...preko mobilne aplikacije
	Off (isključeno)	Nije potreban PIN	Ne morate ništa poduzimati
4. Pogreška (crveno)	Trepće	Kosilica se zaustavila zbog greške	Provjerite razlog greške, a zatim ponovno pokrenite kosilicu pritiskom na gumb Start na kosilici.

PREKIDI GRANIČNE ŽICE I ŽICE VODILICE

Prekidi granične žice i žice vodilice (ako je postavljena) obično su posljedica nenamjernog fizičkog oštećivanja.

Provjerite cijelu graničnu žicu od stanice za punjenje i natrag.

Provjerite žicu vodilicu (ako je postavljena) od stanice za punjenje do upletka u graničnu žicu.

Provjerite jesu li sve spojke dobro stisnute kako bi uspostavile kontakt.

Tehnički podaci

	OPTIMOW 10	OPTIMOW 15
Dimenzije:		
Visina	26 cm	26 cm
Duljina	62 cm	62 cm
Širina	50 cm	50 cm
Težina	11 kg	11 kg
Električni sustav:		
Baterija, specijalna litij-ionska akumulatorska baterija	24 V / 2,0 Ah, kataloški broj. 211022355 / T0100607-00	24 V / 2,0 Ah, kataloški broj. 211022355 / T0100607-00
Električno napajanje	220-240 V/32 V DC	220-240 V/32 V DC
Duljina niskonaponskog kabela	10 m	10 m
Srednja potrošnja energije pri maksimalnoj uporabi	8 kWh mjesečno za radnu površinu od 1 000 m ²	10 kWh mjesečno za radnu površinu od 1 500 m ²
Struja punjenja	1.3 A DC	1.3 A DC
Prosječno vrijeme punjenja	140 minutes	70 minutes
Prosječno vrijeme rezanja	70 minutes	70 minutes
Emisija buke: *)		
Izmjerena snaga zvuka i razina buke **)	55 dB (A)	55 dB (A)
Zajamčena snaga zvuka i razina buke	57 dB (A)	57 dB (A)
Razina zvučnog tlaka i buke ***)	44 dB (A)	44 dB (A)
Košnja:		
Sustav za rezanje	Tri oštrice za rezanje koje se vrte s vratilom oko jedne točke	Tri oštrice za rezanje koje se vrte s vratilom oko jedne točke
Prosječna potrošnja snage za vrijeme rezanja	25 W ± 20%	25 W ± 20%
Visina reza	2-6 cm	2-6 cm
Širina reza	22 cm	22 cm
Najuži mogući prolaz	60 cm	60 cm
Maksimalni nagib površine koja se kosi	35%	35%
Maksimalni nagib za graničnu žicu	15%	15%
Maksimalna duljina granične žice	800 m	800 m
Kapacitet rezanja****)	1,000 m ²	1,500 m ²
Preporučena veličina moguće radne površine	0 - 700 m ²	500 - 1,200 m ²
IP klasifikacija:		
Kosilica	IPX5	IPX5
Stanica s punjenjem	IPX3	IPX3
Električno napajanje	IP67	IP67

PODACI O RADIJSKIM FREKVENCIJAMA

	LTE & GSM	Uređaji kratkog dometa (SRD) (granična žica)
Frekvencijski opseg	LTE-FDD: B1/B2/B3/B4/B5/B8/B12/B13/B18/B19/B20/B25/B26/B27/B28/B66/B71/B85 GSM: 850/900/1800/1900 MHz	0~148.5KHz
Maksimalna izlazna snaga (dBm)	LTE-FDD: 21 dBm +1.7/-3 dB GSM850/EGSM900: 33 dBm ±2 dB DCS1800/PCS1900: 30 dBm ±2 dB GSM850/EGSM900 (8-PSK): 27 dBm ±3 dB DCS1800/PCS1900 (8-PSK): 26 dBm ±3 dB	NA

*) Deklarirana emisija buke u skladu je s normom EN 50636-2-107

**) nesigurnost KWA, 2 dB (A)

***) nesigurnost KPA, 2 dB (A)

****) Izjava o radnom kapacitetu u skladu je s EGMF RLM004-1.0/2016.

CE izjava o sukladnosti

Ime i adresa proizvođač:

Proizvođač: Globe Technologies Europe GmbH

Adresa: Brunnenweg 17, 64331 Weiterstadt, Njemačka

Ime i prezime, i adresa osobe ovlaštene da sastavi tehničku datoteku:

Ime: Ralf Pankalla

Adresa: Brunnenweg 17, 64331 Weiterstadt, Njemačka



Ovime izjavljujemo da proizvod:

Kategorija:	Robotska kosilica
Model:	Greenworks Optimow 10/ Greenworks Optimow 15
Serijski broj:	Pogledajte natpis s nazivnim podacima.
Serijski broj	Pogledajte natpis s nazivnim podacima.

- U sukladnosti s relevantnim propisima Direktive o strojevima 2006/42/EZ
- je u sukladnosti s odredbama sljedećih ostalih direktiva:

• Elektromagnetska kompatibilnost - Direktiva 2014/30/EU

• Radio oprema - Direktiva 2014/53/EU

• Direktiva o niskonaponskoj opremi 2014/35/EU

• Ograničenje uporabe određenih opasnih

tvari u električnim i elektroničkim uređajima

Direktiva o opremi (RoHS) 2011/65/EU i (EU) 2015/863

- Nadalje, izjavljujemo da su korišteni sljedeći standardi:

• EN 60335-1, EN 50636-2-107, EN 60335-2-29,

• EN 62233, EN 55014-1, EN 55014-2, EN 61000-3-2,

• EN 61000-3-3, EN 61558-1, EN 61558-2-16, EN 62311,

• EN 303 447, EN 303 413, EN 301 511,

• EN 301 489-1, EN 301 489-19, nacrt ESTI EN 301 489-52,

• EN 62321-3-1, EN 62321-4, EN 62321-5, EN 62321-6,

• EN 62321-7-1, EN 62321-7-2, EN 62321-8

Ted Qu Haichao
Direktor kvalitete

Weierstadt, 26.06.2021

Ted Qu

A következő oldalak biztonsági, szervizelési és karbantartási utasításokat tartalmaznak. A működtetéshez kérjük, nézze meg a géphez mellékelt rövid útmutatót.

Alaposan olvassa el, és tekintse át figyelmesen a jelen útmutatóban és a rövid útmutatóban szereplő összes biztonsági utasítást, figyelmeztetést és óvintézkedést.

Az itt szereplő utasítások, figyelmeztetések és óvatosságra intő kijelentések elolvasásának és betartásának elmulasztása személyek és kisállatok súlyos sérüléséhez és halálához, valamint vagyoni károkhoz vezethet.

A teljes használati útmutató elérhető ezen a weboldalon: <https://url.globetools.systems/3gi7i>

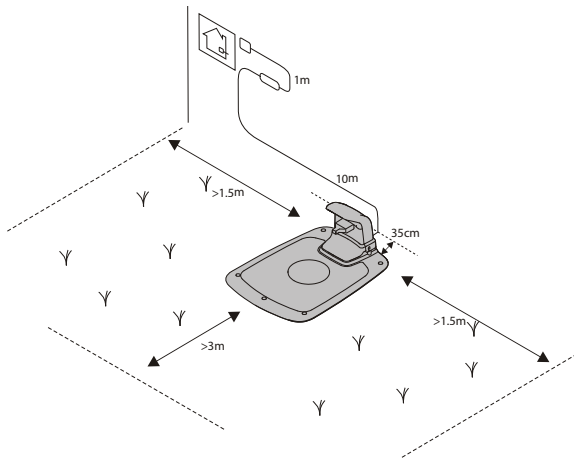
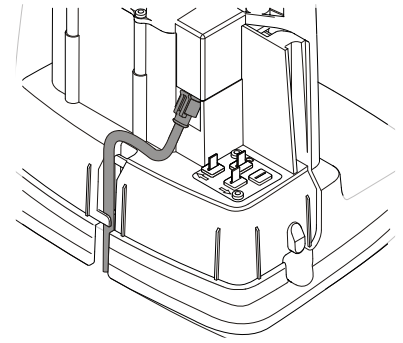
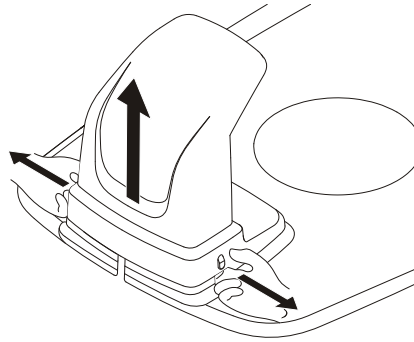
QR kód:



Tartalmak

Telepítés	156
A hálózati tápellátás csatlakoztatása	156
A határolóhuzal telepítése	156
Termékbiztonság	157
A fűnyírón lévő szimbólumok magyarázata	157
A kezelői kézikönyv elolvasása	157
Üzemeltetési biztonság	159
Környezetvédelem	160
Hibaelhárítás	161
A fűnyíró LED kijelzői	161
A határolóhuzal és a vezetőhuzal törései	161
Műszaki adatok	162
CE megfelelőségi nyilatkozat	163

A jelen kézikönyvben szereplő anyagok, műszaki adatok és ábrák kizárólag útmutatóként szolgálnak, és nem kötelező erejűek. A gyártó fenntartja a műszaki tulajdonságok, valamint az összes működési jellemző, anyag, és műszaki adat vagy ábra előzetes figyelmeztetés nélküli módosításának jogát.



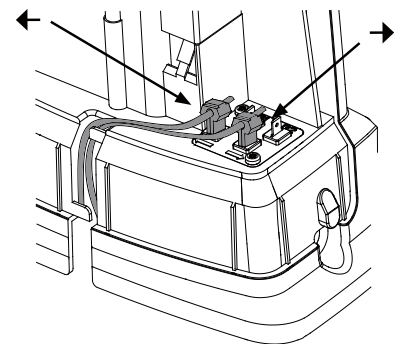
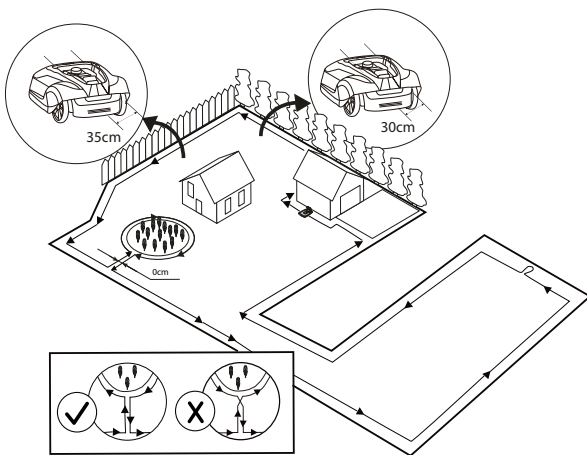
A HÁLÓZATI TÁPELLÁTÁS CSATLAKOZTATÁSA

A hálózati tápellátást hűvös, száraz környezetben, közvetlen napfénytől védett helyen csatlakoztassa.

Ha a tápellátás kültéri elektromos aljzathoz kapcsolódik, akkor annak jóváhagyással kell rendelkeznie a kültéri használatra. A kisfeszültségű kábel akkor szelheti át a működési területet, ha leszorítják vagy betemetik.

The low voltage cable can cross the operating area if it is stapled down or buried.

VIGYÁZAT: Ne vágja, forrassza, vagy módosítsa a kisfeszültségű kábelt. A kisfeszültségű kábel módosításával elveszik a termékgarancia.



A HATÁROLÓHUZAL TELEPÍTÉSE

Fektesse le a hurokvezeték tekercset a töltőállomásra.

Menjen vissza, a működési terület határa körül, és rögzítse a határolóhuzalt a cövekekkel, vagy úgy, hogy a földbe ássa. Javasoljuk a cövekek használatát, mert így lehetőség van a beállításra a működés első néhány hetében.

Ha cövekekkel rögzíti a határolóhuzalt:

- Egy általános fűnyíróval vagy fűkaszával vágja egészen rövidre a fűvet azon a területen, ahol a huzalt le kívánja fektetni.
- Fektesse a határolóhuzalt a földre, és rögzítse egymáshoz szorosan elhelyezett cövekekkel.
- Tolja vagy kalapálja be a cövekeket a földbe.

Ne tolja be annyira a cöveket a földbe, hogy megfeszítse a határolóhuzalt.

Ha betemeti a határolóhuzalt:

- Temesse a határolóhuzalt 1-20 cm-re a földbe.

Kérjük, olvassa el a teljes kézikönyvet online a vezető kábel telepítéséhez.



Termékbiztonság

A jelen kezelői kézikönyv kiegészítéseként további információk elérhetők a következő weboldalon: www.greenworkstools.eu

A FŰNYÍRÓN LÉVŐ SZIMBÓLUMOK MAGYARÁZATA



Ez egy veszélyes elektromos eszköz. Legyen körültekintő a használatakor, és kövesse az összes biztonsági utasítást és figyelmeztetést.

Olvassa el figyelmesen a kezelői kézikönyvet a fűnyíró működtetése előtt.



A fűnyíróval végzett munka, és a fűnyíró felemelése előtt távolítsa el a biztonsági kulcsot.



A működtetés közben fennáll a tárgyak szétszóródásának veszélye.

Tartson biztonságos távolságot a fűnyírótól, amikor működteti, és tartson távol mindenkit a fűnyíró működési területétől, különös tekintettel a gyermekekre, kisállatokra, vagy az arra járókra.



Ne üljön a fűnyíróra.



III osztályú berendezés

A KEZELŐI KÉZIKÖNYV ELOLVASÁSA

A következő szimbólumok fontosak a működtetési utasítások elolvasása és értelmezése szempontjából.



Viseljen védőkesztyűt

A következő rendszer használatos a kezelői kézikönyvben az értelmezés megkönnyítése érdekében:

- **FIGYELMEZTETÉS!** A figyelmeztető szövegek felhívják a felhasználó és vásárló figyelmét a fennálló veszélyekre és azok természetére, így a termék megfelelő használatával megelőzhetőek a sérülések.
- **VIGYÁZAT:** Az óvatosságra intő („Vigyázat”) szövegek felhívják a felhasználó és vásárló figyelmét a terméknel fennálló kockázatokra és azok természetére, így a termék megfelelő használatával megelőzhető a termék károsodása.
- **MEGJEGYZÉS:** A megjegyzések tájékoztatják a felhasználót és vásárlót a termék használatával kapcsolatos további információkról.
- A **vastag dőltbetűvel** szedett szövegek a kezelői kézikönyv egy másik részére utalnak.
- A **vastag** betűvel szedett szövegek a fűnyíró beállításaira vonatkoznak.

Termékbiztonság Safety

FONTOS

HASZNÁLAT ELŐTT FIGYELMESEN OLVASSA EL! ŐRIZZE MEG A KÉSŐBBITÁJÉKOZÓDÁS CÉLJÁBÓL!

Gyakorlás

FIGYELMEZTETÉS! Automata fűnyíró! Maradjon távol a géptől! Ügyeljen a gyerekekre!

- Figyelmesen olvassa el az utasításokat. Ismerkedjen meg a gép szabályozásával és helyes használatával.
- Soha ne engedélyezze a gép használatát gyermekeknek vagy olyan személyeknek, akik nem ismerik ezeket az utasításokat. A helyi rendelkezések korlátozásokat tartalmazhatnak a szerszám működtetőjének életkorára vonatkozóan.
- A szerszám kezelője felelős azokért a balesetekért vagy veszélyekért, amelyek más embereket érintenek vagy mások vagyontárgyait érintik.

Előkészítés

- Ellenőrizze a határoló és vezető kábelek leírtaknak megfelelő telepítését.
- Rendszeresen vizsgálja meg a területet, ahol a gépet használni fogja és távolítsa el minden követ, botot, vezetékét, csontot és minden más idegen tárgyat.
- Rendszeresen ellenőrizze szemrevételezéssel, hogy a kések, késrögzítő csavarok és a vágórész nem kopott vagy sérült-e. Blokkokban cserélje ki a kopott pengéket és csavarokat az egyensúly fenntartása érdekében.

Általános

- Sohase működtesse a gépet hibás védőburkolatokkal vagy biztonsági egységek nélkül, például ha az egység nincs a helyén.
- Ne tegye kezét vagy lábfejét a forgó alkatrészek alá.
- Bekapcsolt állapotban soha ne emelje fel vagy vigye a készüléket.
- Távolítsa el (vagy Működtesse) a letiltó eszközt a gépről
- mielőtt megszüntetne egy eltömődést;
- mielőtt ellenőrzi, tisztítja vagy bármilyen munkát végez a készüléken.
- Ne hagyja felügyelet nélkül működni a gépet, ha tudja, hogy kisállatok, gyermekek, vagy más személyek vannak a közelben.

Karbantartás és tárolás

- Az összes csavar, alátét és hasonló rész legyen jól meghúzva, hogy a gép biztonságos munkaállapotban legyen.
- Biztonsági okokból cserélje ki az elkopott vagy megsérült alkatrészeket.
- Gondoskodjon róla, hogy csak a megfelelő típusú csere vágóeszközöket használják.
- Gondoskodjon róla, hogy a az akkumulátorokat a gyártó javaslatának megfelelő töltővel töltsék. A helytelen használat áramütéshez, túlmelegedéshez, vagy az akkumulátorból származó korrozív folyadék szivárgásához vezethet.
- Ha elektrolit-szivárgás lép fel, akkor öblítse vízzel/semlegesítőszerszel, és szembe stb. kerülés esetén kérjen orvosi segítséget.
- A gép szervizelését a gyártó utasításai alapján kell elvégezni.

FIGYELMEZTETÉS! Az akkumulátor feltöltéséhez csak a készülékhez tartozó levehető tápegységet használja.

FIGYELMEZTETÉS! A készülék olyan elemeket tartalmaz, amelyek csak szakképzett személyek által cserélhetők.

Üzemeltetés

A FŰNYÍRÓ BEINDÍTÁSA ÉS LEÁLLÍTÁSA

A fűnyíró beindításához:

- Helyezze be a biztonsági kulcsot, és fordítsa el az óramutató járásával ellentétes irányban az „1” pozícióba.
- Csúsztassa hátra a **START** gomb retesztét.
- Nyomja le a **START** gombot.

A fűnyíró leállításához:

Nyomja meg a fűnyíró **STOP** gombját.

A FŰNYÍRÓ KIKAPCSOLÁSA

Nyomja meg a fűnyíró **STOP** gombját, és vegye ki a biztonsági kulcsot.

FIGYELMEZTETÉS! Mindig vegye ki a biztonsági kulcsot, ha karbantartást végez, vagy ha mozgatnia kell a fűnyírót.

ÜZEMELTETÉSI BIZTONSÁG

This operator manual contains all of the basic information concerning the safe operation and maintenance of the mower.



Olvassa el figyelmesen a jelen kezelői kézikönyv összes biztonsági előírását a fűnyíró működtetése előtt. Őrizze meg ezt a kezelői kézikönyvet, hogy később is elő tudja venni. Kövesse a gyártó telepítéssel, működtetéssel, karbantartással és javítással kapcsolatos utasításait.

Ez a fűnyíró nyitott és egyenletes területek fűnyírására lett kialakítva. Kizárólag a gyártó által javasolt felszereléseket használja. Minden ezektől eltérő típus helytelen.



Ez a fűnyíró megfelel a CE biztonsági normáinak és az elektromágneses kompatibilitásra, gépekre, és a kisfeszültségre vonatkozó irányelveknek.



Ezt a fűnyírót nem használhatják olyan személyek (gyermeket is beleértve), akik csökkent fizikai, érzékszervi vagy szellemi képességekkel rendelkeznek, vagy nem rendelkeznek kellő belátással és tudással, kivéve azt az esetet, ha az említett személyek a biztonságukért felelős személy felügyelete alatt állnak, vagy ilyen személytől kaptak utasítást a berendezés használatára vonatkozóan.

A gyermekeket szemmel kell tartani, hogy ne játsszanak a készülékkel.

A fűnyíró működtetését, javítását csak olyan személy végezheti, aki teljes egészében ismeri annak speciális tulajdonságait és a biztonsági szabályozásait.

Indítsa el a fűnyírót az utasítások szerint. Amikor a biztonsági kulcs Engedélyezés pozícióban van, tartsa a kezét és lábfejét a forgó késektől távol.

Soha ne tegye kezét vagy lábfejét a fűnyíró alá.

Ne változtasson a fűnyíró eredeti kialakításán. Minden változtatás érvényteleníti a garanciát.

A STOP gombbal kapcsolja ki a fűnyírót, az emberek, különösen a gyerekek, vagy kisállatok vannak a területen. Javasoljuk, hogy akkorra programozza be a fűnyíró használatát, amikor a területen nem tartózkodnak emberek vagy kisállatok.

Távolítsa el a tárgyakat, például ágakat, játékokat, köveket, és szerszámokat a működési területről. Előfordulhat, hogy a fűnyíró tárgyakkal találkozik a működési területen, ilyenkor szükség lehet a tárgy eltávolítására, mielőtt a fűnyíró folytatni tudná a munkát.

Soha ne emelje fel vagy vigye úgy, hogy benne van a biztonsági kulcs.

Mindig kapcsolja ki a fűnyírót a STOP gombbal, amikor nem használja azt. A fűnyíró csak akkor tud elindulni, ha a biztonsági kulcsot berakja, és megnyomja a START gombot.

A beépített riasztó nagyon hangos. Legyen óvatos, különösen, ha a fűnyírót zárt térben kezeli.

Ne használja a fűnyírót hibás késlemezzel vagy géptesttel.

Ne engedélyezze a fűnyíró használatát olyan személyeknek, akik nem ismerik a fűnyíró működését és viselkedését.

Ne tegyen semmit a fűnyíró vagy a töltőállomás tetejére.



Mindig viseljen védőkesztyűt, ha a fűnyíró késeivel dolgozik.

Az Akkumulátor Cseréje

FIGYELMEZTETÉS! Ha elektrolit-szivárgás lép fel, akkor öblítse vízzel/semlegesítőszerral, és elektrolit szembe kerülés esetén kérjen orvosi segítséget.

Csak az eredeti töltőállomással töltsen az akkumulátort. A helytelen használat áramütéshez, túlmelegedéshez, vagy az akkumulátorból származó korrozív folyadék szivárgásához vezethet.

Az akkumulátor karbantartásmentes, de korlátozott, a szezon hosszától és a napi munkaórászámtól függően 2-4 éves élettartammal rendelkezik.

FIGYELMEZTETÉS! Nyomja meg a STOP gombot és távolítsa el a biztonsági kulcsot, mielőtt az akkumulátorokat eltávolítaná, és viseljen védőkesztyűt.

VIGYÁZAT: Csak eredeti pótalkatrészeket használjon.

Fordítsa fejjel lefelé és távolítsa el a négy Torx T20 csavart és vegye le az akkumulátor fedelét.

Húzza le az akkumulátor pólus összekötőjét.

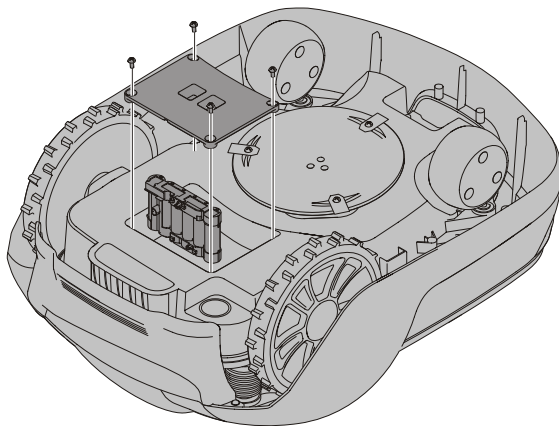
Emelje ki egyenesen az akkumulátort.

Illessze be az új akkumulátort az 1. nyílásba (a hátsó nyílás).

Csatlakoztassa az akkumulátor pólus összekötőjét az új akkumulátorhoz.

Tegye vissza az akkumulátor fedelét és illessze be a négy Torx T20 csavart.

Illessze a biztonsági kulcsot a fűnyíró aljába, majd fordítsa Engedélyezés pozícióba. Helyezze a fűnyírót a töltőállomásra az engedélyezéshez és az akkumulátor töltéséhez.



Környezetvédelem



A 2012/19/EU elektromos és elektronikus berendezések hulladékairól szóló uniós irányelv, valamint a 2006/66/EC uniós irányelv értelmében a hibás vagy használt akkumulátoregységeket/akkumulátorokat szelektíven kell gyűjteni, és környezetbarát módon kell a hulladékkezelésükről gondoskodni.

A fűnyírón vagy csomagolásán látható szimbólum azt jelzi, hogy a terméket nem lehet háztartási hulladékként kezelni. Ehelyett a megfelelő újrahasznosító központban kell leadni, hogy az elektromos elemeket és akkumulátorokat újra lehessen hasznosítani.

Az akkumulátorok a fűnyíró alatti alvázban vannak.

Ha gondoskodik a termék helyes hulladékkezeléséről, segíthet lépéseket tenni a környezetet és embereket potenciálisan negatívan érintő hatások ellen, amelyek egyébként a termék helytelen hulladékkezeléséből is adódnak.

A termék újrahasznosításával kapcsolatos részletes információkért keresse fel önkormányzatát, háztartási hulladék kezelőjét, vagy az üzletet, ahol a terméket vásárolta.



A használt termékek és csomagolások szelektív gyűjtése lehetővé teszi az anyagok újrahasznosítását és újbóli felhasználását. Az újrahasznosított anyagok ismételt felhasználása segít megakadályozni a környezetszennyezést és csökkenti a nyersanyagigényt.

Batteries



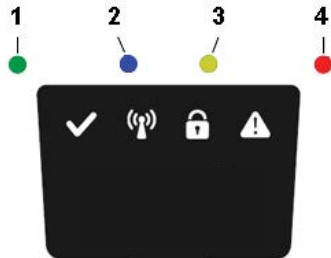
Li-ion

A hasznos élettartamuk végén környezetbarát módon dobja ki az akkumulátorokat. Az akkumulátor Önre és a környezetre veszélyes anyagot tartalmaz. Ezért ezt ki kell venni a termékből és meg kell semmisíteni egy lítiumion akkumulátorokat feldolgozó létesítményben.

Hibaelhárítás

Ez a rész néhány olyan hibajelenséget is bemutat, amely segítséget nyújthat, ha a fűnyíró nem az elvárásoknak megfelelően működik.

A FŰNYÍRÓ LED KIJELEZŐI



LED	ÁLLAPOT	JELENTÉS	INTÉZKEDÉS
1. Működés (zöld)	Villog	Visszaállítás üzemmód	Helyezze a robotot a töltőállomásra 5 órára, és várja meg, amíg a zöld LED abbahagyja a villogást. Ha a LED nem hagyja abba a villogást, akkor indítsa újra a robotot a CS-en kívül, és próbálja meg újra.
	Be	Fűnyíró üzemi módban (töltés, töltőállomásra helyezve, szünet, fűnyírás vagy keresés)	
	Ki	A fűnyíró a fűnyíró Stop gombjával leállítva, a biztonsági gomb kikapcsolt állásban, a fűnyíró hibás állapotban vagy a fűnyíró PIN kódra vár.	
2. Csatlakozás (kék)	Villogás	Próbál csatlakozni az internet szerverhez	
	Be	Csatlakoztatva az internet szerverhez	
	Ki	A fűnyíró nincs „Bekapcsolva módban”	
3. Biztonság (sárga)	Villogás	PIN kód jóváhagyás szükséges	... a mobil alkalmazáson keresztül
	Ki	Nincs szükség PIN-re	Művelet nem szükséges
4. Hiba (piros)	Villogás	A fűnyíró hiba miatt leállt	Ellenőrizze a hiba okát, majd indítsa újra a fűnyíró Start gombjával.

A HATÁROLÓHUZAL ÉS A VEZETŐHUZAL TÖRÉSEI

A határolóhuzalon és (ha telepítette) a vezetőhuzalon lévő törések általában egy véletlen fizikai sérülés eredményei.

Vizsgálja meg az egész határolóhuzalt a töltőállomástól és vissza.

Vizsgálja meg a vezetőhuzalt (ha telepítette) a töltőállomástól a határolóhuzalba futó huzaltoldóig.

Vizsgálja meg, hogy mindegyik csatlakozót megfelelően meghúzták-e a csatlakozások kialakításához.

HU

Műszaki adatok

	OPTIMOW 10	OPTIMOW 15
Méretek:		
Magasság	26 cm	26 cm
Hossz	62 cm	62 cm
Szélesség	50 cm	50 cm
Súly	11 kg	11 kg
Elektromos rendszer:		
Akkumulátor, speciális lítium-ion akkumulátor	24 V / 2,0 Ah, Alkatrész száma: 211022355 / T0100607-00	24 V / 2.0 Ah, Alkatrész száma. 211022355 / T0100607-00
Tápellátás	220-240 V/32 V DC	220-240 V/32 V DC
Kisfeszültségű kábel hossza	10 m	10 m
Átlagos energiafogyasztás maximális kihasználtság mellett	8 kWh/hónap egy 1,000 m ² -es területen	10 kWh/hónap egy 1 500 m ² -es területen
Töltőáram	1.3 A DC	1.3 A DC
Átlagos töltési idő	140 minutes	70 minutes
Átlagos fűnyírási idő	70 minutes	70 minutes
Zajkibocsátás: *)		
Mért hangteljesítmény zajszint **)	55 dB (A)	55 dB (A)
Garantált hangteljesítmény zajszint	57 dB (A)	57 dB (A)
Hangnyomás zajszint ***)	44 dB (A)	44 dB (A)
Fűnyírás:		
Vágórendszer	Három forgó vágókés	Három forgó vágókés
Átlagos áramfogyasztás fűnyírás alatt	25 W ± 20%	25 W ± 20%
Vágásmagasság	2-6 cm	2-6 cm
Vágásszélesség	22 cm	22 cm
Legkeskenyebb lehetséges sáv	60 cm	60 cm
A fűnyírási terület maximális lejtése	35%	35%
A határoló kábel maximális lejtése	15%	15%
A határolóhuzal maximális hossza	800 m	800 m
Nyírási kapacitás****)	1,000 m ²	1,500 m ²
Javasolt területi kapacitás	0 - 700 m ²	500 - 1,200 m ²
IP besorolás:		
Fűnyíró	IPX5	IPX5
Töltőállomás	IPX3	IPX3
Tápellátás	IP67	IP67

RÁDIÓFREKVENCIA ADATLAP

	LTE & GSM	Kis hatótávolságú eszközök (SRD) (határoló kábel)
Frekvenciasáv	LTE-FDD: B1/B2/B3/B4/B5/B8/B12/B13/B18/ B19/B20/B25/B26/B27/B28/B66/B71/B85 GSM: 850/900/1800/1900 MHz	0~148.5KHz
Max. kimeneti teljesítmény (dBm)	LTE-FDD: 21 dBm +1.7/-3 dB GSM850/EGSM900: 33 dBm ±2 dB DCS1800/PCS1900: 30 dBm ±2 dB GSM850/EGSM900 (8-PSK): 27 dBm ±3 dB DCS1800/PCS1900 (8-PSK): 26 dBm ±3 dB	NA

*) A zajkibocsátási nyilatkozat megfelel az EN 50636-2-107 szabványnak

**) Bizonytalanság KWA, 2 dB (A)

***) Bizonytalanság KPA, 2 dB (A)

****) A nyírási kapacitás nyilatkozat megfelel az EGMF RLM004-1.0/2016 szabványnak.

CE megfelelési nyilatkozat

A gyártó neve és címe:

Gyártó: Globe Technologies Europe GmbH

Cím: Brunnenweg 17, 64331 Weiterstadt, Németország

A műszaki fájl szerkesztésére felhatalmazott személy neve és címe:

Neve: Ralf Pankalla

Cím: Brunnenweg 17, 64331 Weiterstadt, Németország



Ezennel kijelentjük, hogy a termék:

Kategória:	Robotfűnyíró
Modell:	Greenworks Optimow 10/ Greenworks Optimow 15
Sorozatszám:	Lásd a termék típusabláját.
Sorozatszám	Lásd a termék típusabláját.

- Megfelel a gépekről szóló 2006/42/EK irányelv alapvető követelményeinek.

- Megfelel a következő egyéb irányelvek követelményeinek:

- Az elektromágneses összeférhetőségről szóló 2014/30/EU irányelv
- A rádiós berendezésekről szóló 2014/53/EU irányelv
- 2014/35/EU alacsonyfeszültségi irányelv
- Az egyes veszélyes anyagok elektromos és elektronikus berendezésekben való alkalmazásának korlátozásáról szóló (RoHS) 2011/65/EU és (EU) 2015/863 irányelv

- Továbbá kijelentjük, hogy a következő szabványokat alkalmaztuk:

- EN 60335-1, EN 50636-2-107, EN 60335-2-29,
- EN 62233, EN 55014-1, EN 55014-2, EN 61000-3-2,
- EN 61000-3-3, EN 61558-1, EN 61558-2-16, EN 62311,
- EN 303 447, EN 303 413, EN 301 511,
- EN 301 489-1, EN 301 489-19, ESTI tervezet EN 301 489-52,
- EN 62321-3-1, EN 62321-4, EN 62321-5, EN 62321-6,
- EN 62321-7-1, EN 62321-7-2, EN 62321-8

Ted Qu Haichao
Minőségbiztosítási igazgató

Weiterstadt, 26.06.2021

Ted Qu

HU

Paginile următoare conțin instrucțiuni privind siguranța, depanarea și întreținerea. Pentru instrucțiuni referitoare la utilizare, vă rugăm consultați ghidul rapid furnizat cu mașina.

Citiți cu atenție și analizați toate instrucțiunile privind siguranța, avertismentele și atenționările din acest manual și din ghidul rapid.

Necitirea și nerespectarea acestor avertismente, avertismente și atenționări pot cauza la răniri grave sau mortale a persoanelor și animalelor de companie ori pagube.

Manualul de instrucțiuni este disponibil în integralitate la

<https://url.globetools.systems/sP6qE>

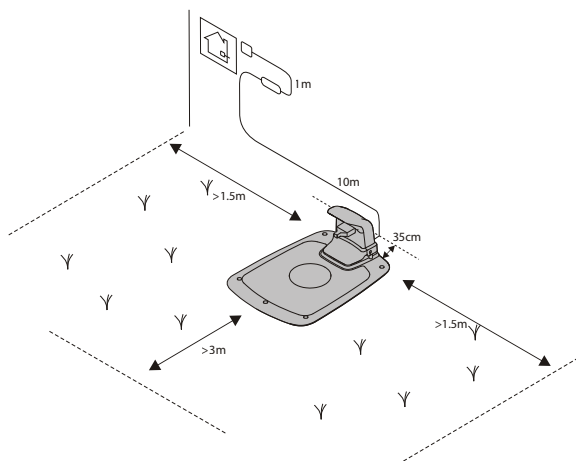
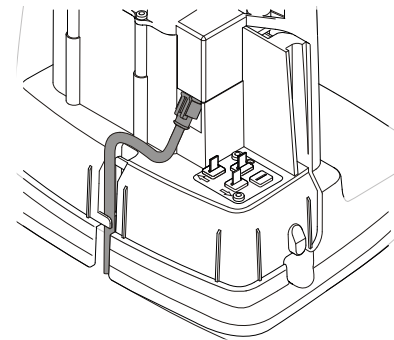
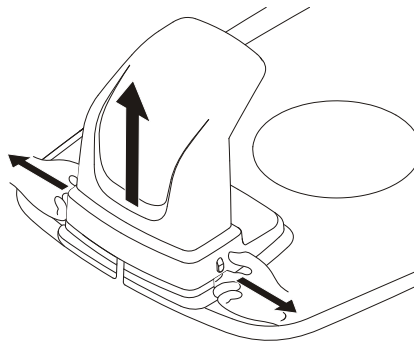
Cod QR:



Cuprins

Instalarea	165
Conectarea la sursa de alimentare	165
Instalarea firului de delimitare	165
Siguranța produsului	166
Semnificația simbolurilor de pe robot	166
Citirea manualului de instrucțiuni	166
Siguranța utilizării	168
Protecția mediului	169
Depanare	170
Indicatoarele LED de pe robot	170
Întrepreri ale Firului delimitator și ale firului de ghidare	170
Date tehnice	171
Declarație de Conformitate CE	172

Materialele, datele tehnice și figurile din acest manual sunt incluse numai în scop orientativ și nu sunt contractuale. Fabricantul își rezervă dreptul de a efectua orice modificări ale specificațiilor tehnice și ale caracteristicilor privind utilizarea, materialelor, datelor tehnice ori a figurilor, fără preaviz.



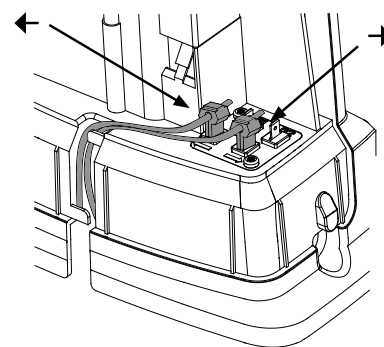
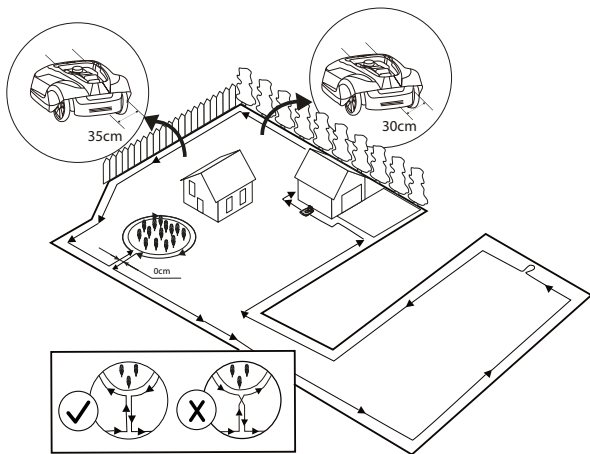
CONECTAREA LA SURSA DE ALIMENTARE

Conectați alimentatorul într-un mediu răcoros, uscat, în afara luminii directe a soarelui.

Dacă alimentatorul este conectat la o priză electrică în aer liber, aceasta trebuie să fie aprobată pentru uz în exterior.

Cablul de tensiune joasă poate traversa zona de utilizare dacă este prins de sol sau îngropat.

ATENȚIE: Nu tăiați, lipiți sau modificați cablul de tensiune joasă. Modificarea cablului de tensiune joasă va anula garanția produsului.



INSTALAREA FIRULUI DE DELIMITARE

Lăsați pe jos tamburul firului la stația de încărcare.

Întoarceți-vă în jurul delimitării zonei de lucru și prindeți firul delimitator fie cu ajutorul țărășilor, fie îngropându-l. Se recomandă țărășii de ancorare deoarece aceștia permit reglarea în primele săptămâni de utilizare.

Când fixați firul delimitator cu țărăși de ancorare:

- Tăiați foarte scurt iarba de pe suprafața unde urmează a fi întins firul cu ajutorul unei mașini standard de tuns iarba sau cu un trimmer.
- Întindeți firul delimitator pe sol și prindeți-l cu țărășii.
- Înfingeți țărășii cu mâna sau utilizați ciocanul pentru a-i îngropa.

Nu înfingeți țărășii prea adânc în sol pentru a nu tensiona firul delimitator.

Când îngropați firul delimitator:

- Îngropați firul delimitator la o adâncime de 1—20 cm în pământ.

Vă rugăm să consultați manualul complet online pentru instalarea firului de ghidare.



Siguranța produsului

Ca supliment la acest manual de utilizare, mai multe informații sunt disponibile pe website-ul: www.greenworkstools.eu

SEMNIFICAȚIA SIMBOLURILOR DE PE ROBOT



Aceasta este o sculă electrică periculoasă. Atenție când o utilizați și respectați toate instrucțiunile și avertismentele privind siguranța.

Citiți cu atenție manualul de instrucțiuni înainte de a utiliza robotul de tuns iarba.



Îndepărtați cheia de siguranță înainte de a efectua lucrări asupra robotului sau de a-l ridica.



Risc de ejectare obiecte în timpul utilizării.

Păstrați o distanță de siguranță față de robot când acesta este în funcțiune, și mențineți persoanele, în special copiii, animalele și trecătorii la distanță de zona în care funcționează robotul.



Nu vă urcați pe robot.



Aparat de clasă III

CITIREA MANUALULUI DE INSTRUCȚIUNI

Simbolurile următoare sunt importante pentru citirea și înțelegerea instrucțiunilor de utilizare.



Purtați mănuși de protecție

Următorul sistem este utilizat în manualul de instrucțiuni pentru a facilita înțelegerea acestuia:

- **AVERTISMENT!** Textele de avertizare alertează utilizatorul și consumatorii asupra existenței și naturii pericolelor astfel încât să poată preveni accidentările, adoptând un comportament adecvat pe durata utilizării produsului.
- **ATENȚIE:** Textele de atenționare alertează utilizatorul și consumatorii asupra existenței și naturii riscurilor astfel încât să poată preveni avariarea produsului, adoptând un comportament adecvat pe durata utilizării acestuia.
- **NOTĂ:** Notele informează utilizatorii și consumatorii asupra informațiilor suplimentare despre utilizarea produsului.
- Textul scris în caractere ***cursive accentuate*** se referă la un alt paragraf din manualul de instrucțiuni.
- Textul scris în caractere **accentuate** se referă la setările de pe robotul de tuns iarba.

Siguranța produsului

IMPORTANT

CITIȚI CU ATENȚIE ÎNAINTE DE UTILIZARE! PĂSTRAȚI PENTRU CONSULTĂRI ULTERIOARE!

Instruire

AVERTISMENT! Mașină automată de tuns iarba! Nu vă apropiați de mașină! Supravegheați copiii!

- Citiți cu atenție instrucțiunile. Familiarizați-vă cu comenzile și cu utilizarea corectă a mașinii.
- Nu permiteți niciodată persoanelor nefamiliarizate cu aceste instrucțiuni sau copiilor să utilizeze mașina. Reglementările locale pot restricționa vârsta operatorului.
- Operatorul sau utilizatorul este responsabil de accidente sau pericolele care se întâmplă altor persoane sau bunurilor acestora.

Pregătirea

- Asigurați-vă că sistemul de delimitare a perimetrului și firele de ghidare sunt instalate corect, conform instrucțiunilor.
- Inspectați periodic zona în care urmează a fi utilizată mașina pentru a îndepărta toate pietrele, bețele, firele, oasele și alte obiecte străine.
- Verificați periodic vizual lama, șuruburile lamei și ansamblul lamei să nu fie uzate sau deteriorate. Înlocuiți lamele uzate sau deteriorate și șuruburile în seturi, pentru a păstra echilibrul.

Funcționarea

- Nu utilizați niciodată mașina cu apărători defecte sau fără dispozitive de siguranță, de exemplu fără corpul montat pe poziție.
- Nu puneți niciodată mâinile sau picioarele în apropiere sau sub părțile rotative.
- Nu ridicați sau transportați mașina cât timp motorul este încă pornit.
- Îndepărtați (sau Acționați) dispozitivul de siguranță de pe mașină
 - înainte de eliminarea unui blocaj;
 - înainte de verificarea, curățarea sau orice intervenție adusă aparatului,
- Nu lăsați mașina să funcționeze dacă nu este supravegheată dacă în apropiere se află animale, copii sau persoane.

Întreținerea și depozitarea

- Păstrați toate șuruburile și piulițele strânse bine pentru a vă asigura că mașina poate fi folosită în condiții sigure.
- Din motive de siguranță, înlocuiți piesele uzate sau defecte.
- Asigurați-vă că mijloacele de tăiere sunt înlocuite numai cu cele de tip corect.
- Asigurați-vă că bateriile sunt încărcate cu ajutorul încărcătorului corect recomandat de către fabricant. Utilizarea greșită poate duce la electrocutare, supraîncălzire sau scurgerea lichidului coroziv din baterie.
- În cazul unei scurgeri de electroliți, clătiți cu apă/detergent neutralizator, apelați la un medic în caz de contact cu ochii, etc.
- Operațiile de service asupra mașinii trebuie efectuate în conformitate cu instrucțiunile fabricantului.

AVERTISMENT! Pentru a încărca bateria, utilizați numai unitatea de alimentare detașabilă care este furnizată cu acest aparat.

AVERTISMENT! Acest aparat conține baterii care pot fi înlocuite numai de o persoană calificată.

Funcționarea

PORNIREA ȘI OPRIREA ROBOTULUI DE TUNS IARBA

Pentru a porni robotul de tuns iarba:

- 1 Introduceți cheia de siguranță și rotiți-o în sensul acelor de ceas în poziția "1" (Activare).
- 2 Culisați încuietora butonului **START** înapoi.
- 3 Apăsăți butonul **START**.

Pentru a opri robotul de tuns iarba:

Apăsăți butonul de **STOP** situat pe robot.

OPRIREA ROBOTULUI

Apăsăți butonul **STOP** de pe robot și îndepărtați cheia de siguranță.

AVERTISMENT! Întotdeauna îndepărtați cheia de siguranță când efectuați operații de întreținere sau când robotul de tuns trebuie deplasat.

RO

Siguranța produsului

SIGURANȚA UTILIZĂRII

Acest manual de instrucțiuni conține toate informațiile de bază privind utilizarea în siguranță și întreținerea robotului de tuns.



Citiți cu atenție toate măsurile de siguranță și instrucțiunile din acest manual de utilizare înainte de a utiliza robotul de tuns iarba. Păstrați acest manual de instrucțiuni pentru consultări viitoare. Respectați instrucțiunile fabricantului privind instalarea, utilizarea, întreținerea și repararea.

Acest robot de tuns iarba este conceput pentru a tunde iarba din spații deschise și plane. Utilizați numai echipamentul recomandat de producător. Toate alte tipuri de utilizare sunt greșite.



Acest robot de tuns iarba este conform standardelor de siguranță și directivelor comunității europene privind compatibilitatea electromagnetică, mașinile și tensiunea joasă.



Robotul de tuns iarba nu este destinat folosirii de către persoane (inclusiv copiii) cu capacități fizice, senzoriale sau intelectuale reduse, sau lipsite de experiență sau cunoștințe, exceptând cazul în care acestea sunt supravegheate sau instruite în prealabil cu privire la utilizarea aparatului de o persoană responsabilă de securitatea lor.

Copiii trebuie supravegheați pentru a se asigura că nu se joacă cu aparatul.

Robotul trebuie utilizat, întreținut și reparat de către persoane care înțeleg în totalitate caracteristicile sale speciale și reglementările privind siguranța.

Porniți robotul de tuns iarba în conformitate cu instrucțiunile. Când cheia de siguranță este în poziția Activare, țineți-vă mâinile și picioarele la distanță de lamele rotative.

Nu vă amplasați niciodată mâinile și picioarele sub robotul de tuns iarba.

Nu modificați construcția originală a robotului. Toate modificările anulează garanția.

Oprți robotul utilizând butonul STOP de pe robot când în zona de tuns se află persoane, în special copii sau animale. Se recomandă ca robotul să fie programat pentru a fi utilizat în timpul orelor când în zonă nu se află persoane sau animale.

Îndepărtați obiectele din zona de lucru precum crengi, jucării, pietre, unelte care pot avaria lamele. Este posibil ca robotul să se blocheze în obiecte din zona de lucru și poate necesita ajutorul dumneavoastră pentru a îndepărta obiectul înainte ca robotul să continue tunsul.

Nu ridicați niciodată robotul sau să-l transportați cât timp cheia de siguranță este introdusă.

Întotdeauna oprți robotul utilizând butonul STOP când robotul nu este utilizat. Robotul nu poate demara decât dacă cheia este introdusă și butonul START este apăsat.

Alarma încorporată este foarte puternică. Atenție, în special când robotul este manipulat în interior.

Nu utilizați robotul cu o lamă sau cu un corp defect.

Nu lăsați persoanele care nu știu cum funcționează robotul să-l folosească.

Nu amplasați nimic pe robot sau pe stația sa de încărcare.



Întotdeauna purtați mănuși de protecție când manevrați lamele robotului.

Înlocuirea acumulatorului

AVERTISMENT! În cazul unei scurgeri de electroliți, clătiți cu apă/agent neutralizator și apelați la un medic în caz că electrolitul intră în contact cu ochii.

Încărcați acumulatorul numai cu stația de încărcare originală. Utilizarea greșită poate duce la electrocutare, supraîncălzire sau scurgerea lichidului coroziv din baterie.

Acumulatorul nu necesită întreținere, dar are o durată de viață limitată la 2-4 ani, în funcție de durata sezonului și de numărul de ore de utilizare zilnică a robotului.

AVERTISMENT! Apăsați butonul STOP și îndepărtați cheia de siguranță înainte de a înlocui bateriile și purtați mănuși de protecție.

ATENȚIE: Utilizați numai piese de schimb originale.

Întoarceți robotul cu dedesubtul în sus și îndepărtați cele patru șuruburi T20 torx și detașați capacul acumulatorului.

Deconectați conectorul terminalului acumulatorului.

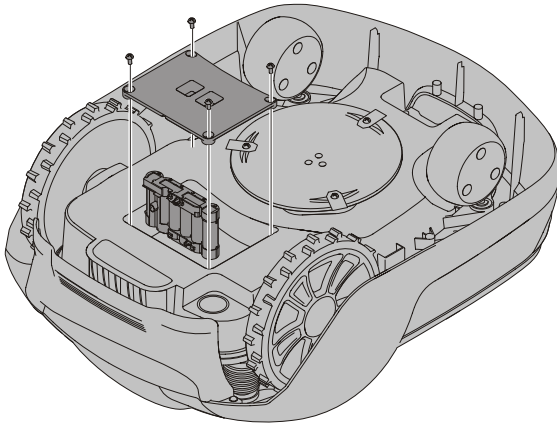
Ridicați acumulatorul.

Introduceți acumulatorul nou în fanta 1 (fanta posterioară).

Conectați conectorul terminalului acumulatorului la acumulatorul nou.

Repuneți la loc capacul compartimentului de baterii, introduceți și strângeți cele patru șuruburi T20 torx.

Introduceți cheia de siguranță sub robotul de tuns și rotiți în poziția Enable (Activare). Așezați mașina de tuns iarba în stația de încărcare pentru a permite și a încărca bateria.



Protecția mediului



Conform Directivei europene 2012/19/EU, sculele echipamentele electrice și electronice care nu mai sunt utilizabile, și conform Directivei europene 2006/66/EC, seturile de acumulatori/bateriile defecte sau uzate trebuie colectate separat și eliminate într-un mod ecologic corect.

Simbolul de pe robot sau de pe ambalajul acestuia reprezintă că acest produs nu poate fi tratat ca deșeu menajer. În schimb, acesta ar trebui predat unui centru de reciclare adecvat pentru a-i recicla componentele electronice și acumulatorii.

Acumulatorii sunt închiși în șasiu, sub robot.

Asigurându-vă că produsul este eliminat în mod corect, puteți ajuta să contracarați potențialul impact negativ asupra mediului și a persoanelor care ar putea altfel rezulta în urma eliminării în mod greșit a acestui produs.

Pentru informații suplimentare privind reciclarea acestui produs, vă rugăm contactați-vă autoritățile locale, serviciul local de salubritate sau magazinul de unde ați cumpărat produsul.



Colectarea separată a produselor și ambalajelor folosite permite ca materialele să fie reciclate și folosite din nou. Refolosirea de materiale reciclate ajută la prevenirea poluării mediului înconjurător și reduce cererea de materii prime.

Batteries



Li-ion

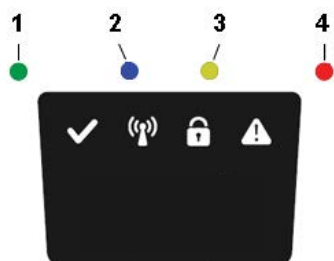
La sfârșitul duratei lor de funcționare, eliminați bateriile cu grija datorată mediului. Bateria conține materiale ce sunt periculoase pentru dvs. și pentru mediu. Trebuie să fie îndepărtate și eliminate separat la unități de reciclare ce acceptă baterii litiu-ion.

RO

Depanarea

Acesta capitol vă prezintă câteva simptome care vă pot ghida în cazul care robotul nu funcționează conform așteptărilor.

INDICATOARELE LED DE PE ROBOT



LED	STATUS	SEMNIȚAȚIE	OPERAȚIE
1. Funcționare (Verde)	Iluminare intermitentă	Modul de recuperare	Amplasați robotul în stația de încărcare până la 5 ore și așteptați ca LED-ul verde să se oprească din clipit. Dacă LED-ul nu se oprește din clipit, restarțați robotul în afara stației de încărcare și încercați din nou.
	Pornit	Robot în mod de funcționare (încărcare, parcat în Stația de încărcare, pus pe pauză, în curs de tundere sau de căutare)	
	Oprit	Robotul de tuns oprit cu butonul Stop aflat pe robot, cheia de siguranță situată în poziția Dezactivată, deplasați robotul în modul de eroare sau în curs de așteptare pentru codul PIN.	
2. Conectivitate (Albastru)	Iluminare intermitentă	Încercare de a se conecta la serverul de Internet	
	Pornit	Conectare la serverul de Internet	
	Oprit	Robotul de tuns nu este în modul "Alimentare pornită"	
3. Securitate (Galben)	Iluminare intermitentă	Autorizare prin introducere cod PIN este necesară	... prin Aplicația mobilă
	Oprit	Niciun PIN nu este necesar	Nicio acțiune nu este necesară
4. Eroare (Roșu)	Iluminare intermitentă	Robotul de tuns s-a oprit din cauza unei erori	Verificați motivul erorii, după care restarțați apăsând butonul Start de pe robot.

RUPERI ALE FIRULUI DELIMITATOR ȘI ALE FIRULUI DE GHIDARE

Ruperea firului delimitator și a celui de ghidare (dacă sunt instalate) sunt de obicei cauzate de avarieri fizice accidentale.

Inspectați întreaga împrejurime cu fir de la stația de încărcare și înapoi.

Inspectați firul de ghidare (dacă este instalat) de la stația de încărcare la îmbinarea cu firul delimitator.

Asigurați-vă că toate cuplajele au fost strânse corect pentru efectuarea conexiunilor.

Date tehnice

	OPTIMOW 10	OPTIMOW 15
Dimensiuni:		
Înălțime	26 cm	26 cm
Lungime	62 cm	62 cm
Lățime	50 cm	50 cm
Greutate	11 kg	11 kg
Sistem electric:		
Acumulator, acumulator special de Litiu-ion	24 V / 2,0 Ah, Nr. piesă. 211022355 / T0100607-00	24 V / 2,0 Ah, Nr. piesă. 211022355 / T0100607-00
Alimentare cu energie electrică	220-240 V/32 V DC	220-240 V/32 V DC
Lungime cablu de tensiune joasă	10 m	10 m
Consum mediu de energie la utilizare maximă	8 kWh/lună pentru o suprafață de lucru de 1,000 m ²	10 kWh/lună pentru o suprafață de lucru de 1,500 m ²
Curent de încărcare	1,3 A CC	1,3 A CC
Durată de medie încărcare	140 de minute	70 de minute
Durată de medie tuns	70 de minute	70 de minute
Emisii sonore: *)		
Nivel de putere sonoră măsurată**)	55 dB (A)	55 dB (A)
Nivel garantat al puterii sonore	57 dB (A)	57 dB (A)
Nivel de presiune sonoră ***)	44 dB (A)	44 dB (A)
Tunderea		
Sistem de tundere	Trei lame de tăiere pivotante	Trei lame de tăiere pivotante
Consum mediu de putere în timpul tăierii	25 W ± 20%	25 W ± 20%
Înălțimea de tăiere	2-6 cm	2-6 cm
Lățime de tăiere	22 cm	22 cm
Cel mai îngust pasaj posibil	60 cm	60 cm
Panta maximă pentru zona de tăiere	35%	35%
Panta maximă pentru firul delimitator	15%	15%
Lungime maximă a firului delimitator	800 m	800 m
Capacitate de funcționare****)	1,000 m ²	1,500 m ²
Capacitate zonă recomandată	0 - 700 m ²	500 - 1,200 m ²
Clasificare IP:		
Robot de tuns iarba	IPX5	IPX5
Stație de încărcare	IPX3	IPX3
Alimentator	IP67	IP67

FIȘĂ TEHNICĂ DE FRECVENȚĂ RADIO

	LTE & GSM	Dispozitive cu rază scurtă (DRS) (sârmă de delimitare)
Bandă de frecvență	LTE-FDD: B1/B2/B3/B4/B5/B8/B12/B13/B18/ B19/B20/B25/B26/B27/B28/B66/B71/B85 GSM: 850/900/1800/1900 MHz	0~148.5KHz
Putere maximă de ieșire (dBm)	LTE-FDD: 21 dBm +1.7/-3 dB GSM850/EGSM900: 33 dBm ±2 dB DCS1800/PCS1900: 30 dBm ±2 dB GSM850/EGSM900 (8-PSK): 27 dBm ±3 dB DCS1800/PCS1900 (8-PSK): 26 dBm ±3 dB	NA

*) Declarațiile de emisii sonore sunt conforme cu EN 50636-2-107

**) incertitudinile KWA, 2 dB (A)

***) incertitudinile KWA, 2 dB (A)

****) Declarație a capacității de funcționare conformă cu EGMF RLM004-1.0/2016.

RO

Declarație de Conformitate CE

Numele și adresa producătorului:

Fabricant: Globe Technologies Europe GmbH

Adresa: Brunnenweg 17, 64331 Weiterstadt, Germania

Numele și adresa persoanei autorizate să compileze dosarul tehnic:

Numele: Ralf Pankalla

Adresa: Brunnenweg 17, 64331 Weiterstadt, Germania



Prin prezenta, declarăm că produsul:

Categorie:	Robot de tuns iarba
Model:	Greenworks Optimow 10/ Greenworks Optimow 15
Număr de serie:	A se consulta eticheta cu caracteristici tehnice.
Nr. de Serie	A se consulta eticheta cu caracteristici tehnice.

- Este în conformitate cu prevederile relevante ale Directivei 2006/42/CE privind mașinile.
- Este în conformitate cu prevederile următoarelor directive:

- Compatibilitate electromagnetică - Directiva 2014/30/UE
- Echipamente radio - Directiva 2014/53/UE
- Directiva tensiune joasă 2014/35/UE
- Restricționarea utilizării anumitor produse periculoase
Substanțe în electrice și electronice
Directiva 2011/65/UE și (UE) 2015/863 privind echipamentele (RoHS)

- În plus, declarăm că au fost utilizate următoarele standarde:

- EN 60335-1, EN 50636-2-107, EN 60335-2-29,
- EN 62233, EN 55014-1, EN 55014-2, EN 61000-3-2,
- EN 61000-3-3, EN 61558-1, EN 61558-2-16, EN 62311,
- EN 303 447, EN 303 413, EN 301 511,
- EN 301 489-1, EN 301 489-19, Proiect ESTI EN 301 489-52,
- EN 62321-3-1, EN 62321-4, EN 62321-5, EN 62321-6,
- EN 62321-7-1, EN 62321-7-2, EN 62321-8

Ted Qu Haichao
Director al calității

Weierstadt, 26.06.2021

Ted Qu

Следните страници съдържат инструкции за безопасността, обслужването и поддръжката. За работния процес, моля, вижте кратките насоки за стартиране, предоставено с машината.

Прочетете внимателно и прегледайте всички инструкции за безопасност, предупреждения и указания за внимание, съдържащи се в това ръководство и в кратките насоки за стартиране.

Неспазването на тези инструкции, предупреждения и указания за внимание може да причини тежко нараняване или смърт на хора и домашни любимци или повреда на лична собственост.

Пълното ръководство с инструкции е налично на уебсайт: <https://url.globetools.systems/EeIVt>

QR код:

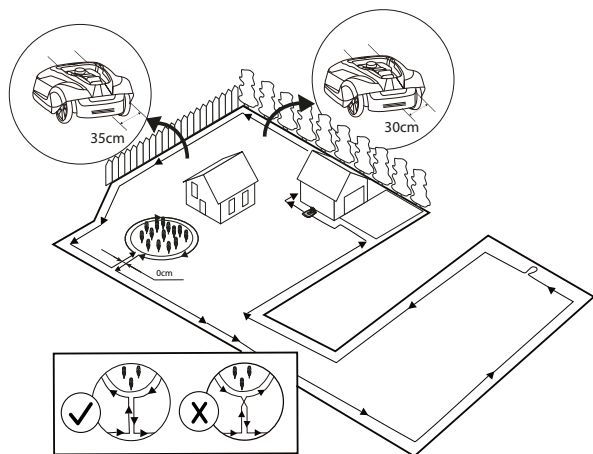
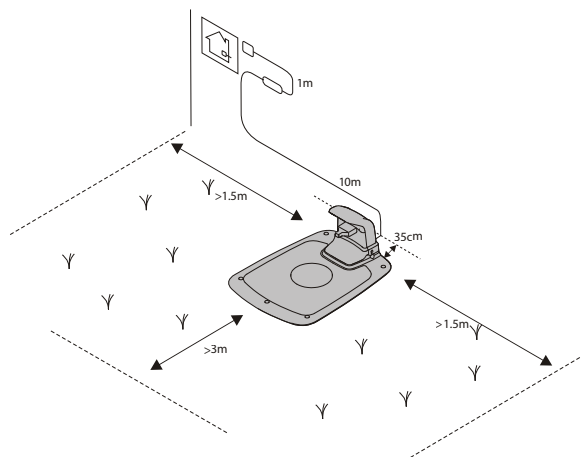
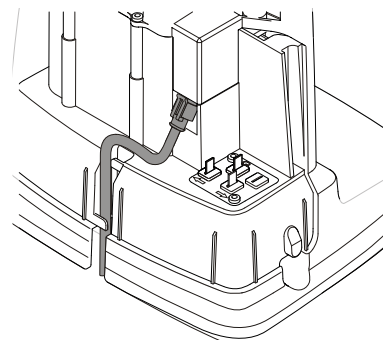
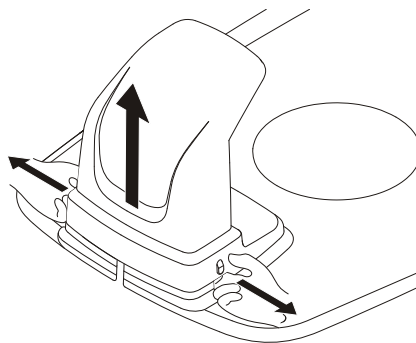


Съдържание

Монтаж	174
Свързване към електрозахранването.....	174
Инсталиране на ограничаващия проводник.....	174
Безопасност на продукта	175
Разяснение на символите на косачката	175
Прочитане на ръководството за оператора	175
Експлоатационна безопасност.....	177
Защита на околната среда.....	178
Отстраняване на неизправности.....	179
Индикаторни светодиоди на косачката.....	179
Скъсване на ограничаващия проводник и направляващия проводник.....	179
Технически данни	180
Декларация за съответствие ЕО	181

Материалите, техническите данни и фигурите в това ръководство са предоставени само за справка и не са обвързващи. Производителят си запазва правото да извършва промени на техническите характеристики и всички работни функции, материали, технически данни или фигури без предварително предупреждение

Безопасност на продукта



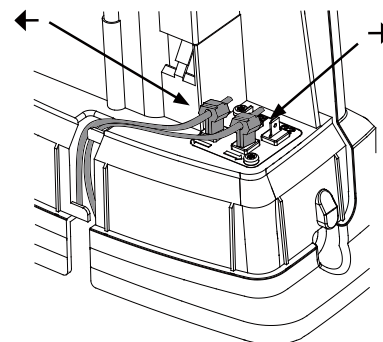
СВЪРЗВАНЕ КЪМ ЕЛЕКТРОЗАХРАНВАНЕТО

Свържете електрозахранването на хладно, сухо място, далеч от пряка слънчева светлина.

Ако електрозахранването е свързано към електрически контакт на открито, той трябва да бъде разрешен.

за употреба на открито. The low voltage cable can cross the operating area if it is stapled down or buried.

ВНИМАНИЕ: Не режете, разклонявайте или променяйте кабела за ниско напрежение. Промяната на кабела за ниско напрежение ще доведе до отпадане на гаранцията за продукта.



ИНСТАЛИРАНЕ НА ОГРАНИЧАВАЩИЯ ПРОВОДНИК

Положете контурния проводник към зарядното устройство.

Преминете обратно около границата на работната зона и закрепете ограничаващия проводник или с помощта на колчета, или го закопайте в земята. Колчетата се препоръчват, тъй като това позволява регулиране по време на първите няколко седмици работа.

Когато закрепвате ограничаващия проводник с колчета:

- Окосете тревата много ниско с помощта на стандартна ливадна косачка или тример, там където ще се полага проводникът.
- Положете ограничаващия проводник на земята и го закрепете плътно с колчета.
- Натиснете или набийте с чук колчетата в земята.

Не натискайте прекалено много в земята колчетата, така че да напрягат ограничаващия проводник.

При закопаване на ограничаващия проводник:

- Закопайте ограничаващия проводник на 1–20 см в земята.

Моля, вижте пълното ръководство онлайн за инсталиране на водещия кабел.

Безопасност на продукта

Като допълнение към това ръководство, допълнителна информация е на разположение на уебсайта: www.greenworkstools.eu

РАЗЯСНЕНИЕ НА СИМВОЛИТЕ НА КОСАЧКАТА



Това е опасен електрически инструмент. Бъдете внимателни, когато работите и спазвайте всички инструкции за безопасност и предупреждения.

Прочетете ръководството за оператора внимателно, преди да работите с косачката.



Извадете ключа за безопасност, преди да работите по или повдигате косачката.



Опасност от изхвърлени предмети по време на работа.

Спазвайте безопасна дистанция от косачката по време на работа и дръжте хората и по-специално домашни любимци и наблюдатели далеч от зоната, където косачката работи.



Не се возете на косачката.



Уред от клас III

ПРОЧИТАНЕ НА РЪКОВОДСТВОТО ЗА ОПЕРАТОРА

Следните символи са важни за прочитането и разбирането на работните инструкции.



Носете защитни ръкавици

Следната система се използва в ръководството за оператора, за да го направи по-лесно разбираемо:

- **ПРЕДУПРЕЖДЕНИЕ!** Предупредителни текстове предупреждават потребители и ползватели за съществуването и естеството на опасностите, така че да бъдат предотвратени наранявания чрез подходящо поведение по време на употреба на продукта.
- **ВНИМАНИЕ:** Текстове за внимание предупреждават потребители и ползватели за съществуването и естеството на рисковете свързани с продукта, така че да бъде предотвратена повреда на продукта чрез подходящо поведение по време на употреба на продукта.
- **БЕЛЕЖКА:** Бележките информират потребителите и ползвателите за допълнителна информация относно употребата на продукта.
- Текст написан с **удебелен курсив** препраща към друг раздел в ръководството за оператора.
- Текст написан **удебелено** препраща към настройките на косачката.

Безопасност на продукта

ВАЖНО

ПРОЧЕТЕТЕ ВНИМАТЕЛНО ПРЕДИ УПОТРЕБА! ЗАПАЗЕТЕ ЗА БЪДЕЩА СПРАВКА!

Обучение

ПРЕДУПРЕЖДЕНИЕ! Автоматична ливадна косачка! Дръжте настрана от машината! Наблюдавайте децата!

- Прочете внимателно инструкциите. Запознайте се с управлението и правилната употреба на машината.
- Никога не позволявайте на хора, незапознати с тези инструкции или деца да използват машината. Местните разпоредби могат да ограничат възрастта на оператора.
- Операторът или потребителят е отговорен за инциденти или опасности, причинени на други хора или тяхната собственост.

Подготовка

- Осигурете правилното инсталиране на ограничаващите и направляващите проводници, съгласно инструкциите.
- Инспектирайте периодично зоната, където ще бъде използвана машината и премахнете всички камъни, пръчки, жици, кости и други чужди предмети.
- Периодично извършвайте визуална инспекция за да проверите дали ножовете, болтовете за ножа и устройството на резача не са износени или повредени. Подменяйте износените остриета и болтове в комплект за да съхраните баланса.

Основни положения

- Никога не работете с машината с повредени предпазители или без поставени устройства за безопасност, например корпус.
- Не поставяйте ръцете или краката си в близост или под въртящите се части.
- Никога не вдигайте или носете машината, докато двигателят работи.
- Отстранявайте (или задействайте) деактивиращото устройство от машината
 - преди почистване на задръстване;
 - преди проверка, почистване и работа по машината.
- Не оставяйте машината да работи без наблюдение, ако наблизо има домашни любимци, деца или възрастни.

Поддръжка и съхранение

- Дръжте всички гайки, болтове, и винтове затегнати, за да сте сигурни, че машината е в безопасно работно състояние.
- Подменете износените или повредените части свързани с безопасността.
- Уверете се, че се използват само резервни средства за рязане от правилния вид.
- Уверете се, че акумулаторите са заредени при употреба на правилното зарядно устройство препоръчано от производителя. Неправилна употреба може да доведе до удар от електрически ток, прегряване или теч на корозивна течност от акумулатора.
- В случай на теч на електролит го промийте с течаща вода/неутрализиращо средство, потърсете медицинска помощ, ако той влезе в контакт с очите и т.н.
- Обслужването на машината трябва да се извършва съгласно инструкциите на производителя.

ВНИМАНИЕ! За презареждане на батерията използвайте само отделящия се захранващ блок, предоставен с този уред.

ПРЕДУПРЕЖДЕНИЕ! Този уред съдържа батерии, които могат да се сменят само от квалифицирано лице.

Работа

СТАРТИРАНЕ И СПИРАНЕ НА КОСАЧКАТА

За стартиране на косачката:

- 1 Вкарайте ключ за безопасност и го завъртете обратно на часовника до позиция "1".
- 2 Плъзнете резето на бутона START назад.
- 3 Натиснете бутона START.

За спиране на косачката:

Натиснете бутона **STOP** на косачката.

ИЗКЛЮЧВАНЕ НА КОСАЧКАТА

Натиснете бутона **STOP** на косачката и извадете ключа за безопасност.

ПРЕДУПРЕЖДЕНИЕ! Винаги изваждайте ключа за безопасност, когато извършвате поддръжка, или ако косачката трябва да бъде преместена.

Безопасност на продукта

Това ръководство на оператора съдържа цялата основна информация отнасяща се до безопасната работа и поддръжка на косачката.



Внимателно прочетете всички мерки за безопасност и инструкции в това ръководство на оператора, преди да работите с косачката. Запазете това ръководство на оператора за бъдеща справка. Следвайте инструкциите на производителя относно инсталирането, работата поддръжката и ремонта.

Тази косачка е проектирана за косене на трева на открити и равни места. Използвайте само оборудването препоръчвано от производителя. Всички други видове употреба са неправилни



Тази косачка отговаря на стандартите за безопасност на ЕО и на директивите отнасящи се до електромагнитната съвместимост, машините и ниското напрежение.



Косачката не е предназначена за употреба от лица (включително деца) с понижени физически, сетивни или умствени способности, или без опит и познания, освен ако не им е осигурено наблюдение или инструктаж

относно употребата на уреда от лице отговорно за тяхната безопасност.

Децата трябва да бъдат наблюдавани за да се осигури, че не си играят с уреда.

Косачката трябва да бъде управлявана, поддържана и ремонтирана само от лица, които напълно разбират нейните специални характеристики и изисквания за безопасност.

Стартирайте косачката съгласно инструкциите. Когато ключът за безопасност е в Активирана позиция, дръжте ръцете и краката си далеч от въртящите се ножове.

Не поставяйте никога своите ръце и крака под косачката.

Не модифицирайте оригиналната конструкция на косачката. Всички модификации водят до отпадане на гаранцията.

Изключвайте косачката с бутона STOP на косачката, когато има хора и особено деца или домашни любимци в зоната на косене. Препоръчва се косачката да бъде програмирана за употреба през часове, в които зоната е свободна от хора или домашни любимци.

Отстранете предметите от работната зона като клони, играчки, камъни, инструменти, които могат да повредят ножовете. Косачката може да се натъкне на предмети в работната зона и може да е необходимо помощ за отстраняване на предмета, преди косачката да може да продължи косенето.

Не повдигайте никога косачката и не я носете с вкаран ключ за безопасност.

Винаги изключвайте косачката с бутона STOP, когато не използвате косачката. Косачката може да бъде стартирана, само когато ключът за безопасност вкаран и бутонът START е натиснат.

Вградената аларма е много шумна. Внимавайте, особено ако с косачката се борави на закрито.

Не използвайте косачката с неизправен ножов диск или тяло.

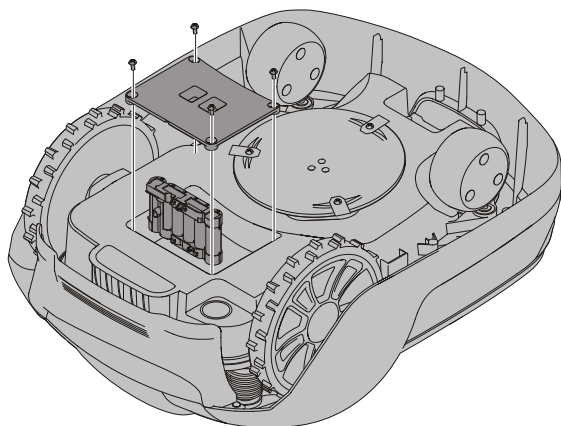
Не допускате хора, които не знаят как косачката работи и се държи, да я използват.

Не поставяйте нищо върху косачката или нейното зарядно устройство.



Винаги носете защитни ръкавици, когато работите с ножовете на косачката.

Подмяна На Акумулатора



ПРЕДУПРЕЖДЕНИЕ! В случай на теч на електролит го промийте с вода/неутрализиращо средство и потърсете медицинска помощ, ако той влезе в контакт с очите.

Зареждайте акумулатора само в оригиналното зарядно устройство. Неправилна употреба може да доведе до удар от електрически ток, прегряване, или теч на корозивна течност от акумулатора.

Акумулаторът не изисква поддръжка, но има ограничен експлоатационен живот от 2 до 4 години в зависимост от продължителността на сезона и броя работни часове на употреба на косачката.

ПРЕДУПРЕЖДЕНИЕ! Натиснете бутона STOP и извадете ключа за безопасност, преди да подмените акумулатора и носете защитни ръкавици.

ВНИМАНИЕ: Използвайте само оригинални резервни части.

Обърнете косачката с горната страна надолу и отстранете четирите винта Torx T20 и снемете капака на акумулатора.

Откачете конектора на клемата на акумулатора.

Извадете акумулатора право нагоре.

Поставете новия акумулатор в прорез 1 (задния прорез).

Свържете конектора на клемата на акумулатора към новия акумулатор.

Поставете капака на акумулатора обратно на място и завинтете четирите винта Torx T20.

Вкарайте ключа за безопасност в долната страна на косачката и го завъртете в позиция Активиран. Поставете косачката в зарядната станция, за да активирате и заредите батерията.

Защита на околната среда



Съгласно европейския закон 2012/19/EU, електрическо и електронно оборудване, което повече не може да се използва и съгласно европейското законодателство 2006/66/EC, дефектните или използваните акумулаторни батерии/батерии трябва да се събират отделно и да се изхвърлят по подходящ за околната среда начин.

Символът върху косачката или опаковката показва, че този продукт не може да бъде третиран като домакински отпадък. Тя трябва да бъде оставена в подходящ център за рециклиране на нейните електронни компоненти и акумулатори.

Акумулаторите се намират в шасито под косачката.

При гарантиране на правилните грижи за този продукт можете да помогнете за противодействие на потенциално отрицателното въздействие върху околната среда и хората, до които може да доведе в противен случай неправилното боравене с отпадъците от този продукт.

За по-подробна информация относно рециклирането на този продукт може да се свържете със своите общински власти, фирмата за събиране на отпадъци или магазина, от който сте закупили продукта.



Разделното събиране на използвани машини и опаковки ви позволява да рециклирате материалите и да ги използвате отново. Употребата на рециклирани материали помага за предотвратяване на замърсяването на околната среда и намалява необходимостта от суровини.

Batteries



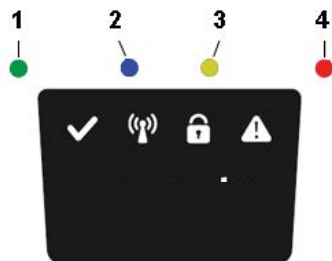
Li-ion

В края на техния експлоатационен живот, изхвърлете батериите като предпазвате околната среда. Батериите съдържат материали, които са опасни за вас и за околната среда. Трябва да извадите и отделно да изхвърлите тези материали при съоръжения за събиране на литиево-йонни батерии.

Отстраняване на неизправности

Този раздел указва и някои симптоми, които могат да ва насочат, ако косачката не работи според очакванията.

ИНДИКАТОРНИ СВЕТОДИОДИ НА КОСАЧКАТА



СВЕТОДИОД	СТАТУС	ЗНАЧЕНИЕ	ДЕЙСТВИЕ
1. Operating (Green)	Flashing	Режим за възстановяване	Поставете робота в станцията за зареждане за до 5 часа и изчакайте зеленият светодиод да спре да мига. Ако светодиодът не спира да мига, рестартирайте робота извън станцията за зареждане и опитайте отново.
	On	Газонокосилка в работен режим (зарядка, парковка на зарядной станции, приостановка, стрижка травы или поиск)	
	Off	Косачката спря с включен бутон Stop, предпазителят в позиция „Деактивиран“, косачката е с грешка или изчаква за ПИН код.	
2. Свързаност (Син)	Мигащ	Опит за свързване към интернет сървър	
	Вкл.	Свързана към интернет сървър	
	Изкл.	Косачката не е в “Режим на хранване”	
3. Сигурност (Жълт)	Мигащ	Необходима е оторизация с PIN код	...чрез мобилно приложение
	Изкл.	Не е необходим PIN	Не е необходимо действие
4. Грешка (Червен)	Мигащ	Косачка спряна с грешка	Проверете причината за грешката и след това стартирайте отново с натискане на бутона Start на косачката.

СКЪСВАНЕ НА ОГРАНИЧАВАЩИЯ ПРОВОДНИК И НАПРАВЛЯВАЩИЯ ПРОВОДНИК

Скъсванията на ограничаващия и направляващия проводник (ако е инсталиран) обикновено са в резултат от неволна физическа повреда.

Проверете целия ограничаващия проводник от зарядното устройство и обратно.

Проверете направляващия проводник (ако е инсталиран) от зарядното устройство до разклонителя на ограничаващия проводник.

Проверете дали всички съединители са правилно притиснати, за да осъществят свързване.

Технически данни

	OPTIMOW 10	OPTIMOW 15
Размери:		
Височина	26 см	26 см
Дължина	62 см	62 см
Широчина	50 см	50 см
Тегло	11 кг	11 кг kg
Електрическа система:		
Акумулатор, специален литиево-йонен акумулатор	24 V / 2,0 Ач, кат. № 211022355 / T0100607-00	24 V / 2,0 Ач, кат. № 211022355 / T0100607-00
Електрозахранване	220-240 V/32 V постоянен ток	220-240 V/32 V постоянен ток
Дължина на кабела за ниско напрежение	10 м	10 м
Средна консумация на енергия при максимална употреба	8 кВт/ч месечно за работна площ от 1 000 м ²	10 кВт/ч месечно за работна площ от 1 500 м ²
Ток на зареждане	1,3 А постоянен ток	1,3 А постоянен ток
Средно време на зареждане	140 минути	70 минути
Средно време на косене	70 минути	70 минути
Емисии на шум: *)		
Измерено ниво на сила на шума **)	55 dB (A)	55 dB (A)
Гарантирано ниво на сила на шума	57 dB (A)	57 dB (A)
Ниво на звуково налягане на шума ***)	44 dB (A)	44 dB (A)
Косене:		
Режеща система	Три въртящи се режещи остриета	Три въртящи се режещи остриета
Средна консумирана мощност по време на рязане	25 W ± 20%	25 W ± 20%
Височина на косене	2-6 cm	2-6 cm
Ширина на косене	22 cm	22 cm
Най-тесен възможен проход	60 cm	60 cm
Максимален наклон за зоната на косене	35%	35%
Максимален наклон за ограничаващия проводник	15%	15%
Максимална дължина на ограничаващия проводник	800 m	800 m
Работен капацитет****)	1,000 m ²	1,500 m ²
Препоръчителна големина на площта	0 - 700 m ²	500 - 1,200 m ²
IP класификация:		
Косачка	IPX5	IPX5
Зарядно устройство	IPX3	IPX3
Електрозахранване	IP67	IP67

СПЕЦИФИКАЦИЯ НА РАДИО ЧЕСТОТАТА

	LTE & GSM	Устройства с малък обхват (SRD) (ограничаващ проводник)
Честотна лента	LTE-FDD: B1/B2/B3/B4/B5/B8/B12/B13/B18/ B19/B20/B25/B26/B27/B28/B66/B71/B85 GSM: 850/900/1800/1900 MHz	0~148.5KHz
Максимална изходна мощност (dBm)	LTE-FDD: 21 dBm +1.7/-3 dB GSM850/EGSM900: 33 dBm ±2 dB DCS1800/PCS1900: 30 dBm ±2 dB GSM850/EGSM900 (8-PSK): 27 dBm ±3 dB DCS1800/PCS1900 (8-PSK): 26 dBm ±3 dB	NA

*) Декларациите за емисиите на шум отговарят на EN 50636-2-107

**) неопределеност KWA, 2 dB (A)

***) неопределеност KPA, 2 dB (A)

****) Декларацията за работния капацитет отговаря на EGMF RLM004-1.0/2016.

Декларация за съответствие ЕО

Име и адрес на производителя:

Производител: Globe Technologies Europe GmbH

Адрес: Brunnenweg 17, 64331 Weiterstadt, Германия

Име и адрес на упълномощеното лица за съставяне техническия файл:

Име: Ralf Pankalla

Адрес: Brunnenweg 17, 64331 Weiterstadt, Германия



Категория:	Роботизирана ливадна косачка
Модел:	Greenworks Optimow 10/ Greenworks Optimow 15
Сериен номер:	Виж етикета с номинални стойности на продукта.
Сериен номер	Виж етикета с номинални стойности на продукта.

- В съответствие е със съответните разпоредби на Директивата за машините 2006/42/ЕО
- В съответствие е с разпоредбите на следните други директиви:

- Електромагнитна съвместимост - Директива 2014/30/ЕС
- Радио оборудване - Директива 2014/53/ЕС
- Директива за ниско напрежение 2014/35/ЕС
- Ограничаване на използването на някои опасни вещества в електрическото и електронното оборудване (RoHS) директива 2011/65/ЕС и (ЕС) 2015/863

- Освен това декларираме, че са използвани следните стандарти:

- EN 60335-1, EN 50636-2-107, EN 60335-2-29,
- EN 62233, EN 55014-1, EN 55014-2, EN 61000-3-2,
- EN 61000-3-3, EN 61558-1, EN 61558-2-16, EN 62311,
- EN 303 447, EN 303 413, EN 301 511,
- EN 301 489-1, EN 301 489-19, Проект ESTI EN 301 489-52,
- EN 62321-3-1, EN 62321-4, EN 62321-5, EN 62321-6,
- EN 62321-7-1, EN 62321-7-2, EN 62321-8

Тед Чу Хайчао
Директор по качеството
Weiterstadt, 26.06.2021

Ted Qu

Kituose puslapiuose pateikta informacija apie saugą ir įprastą bei techninę priežiūrą. Įrenginio veikimo instrukciją rasite kartu su juo pateikiamame trumpajame vadove.

Atidžiai perskaitykite ir peržiūrėkite visas šiame vadove ir trumpajame vadove pateikiamas saugos instrukcijas, įspėjimus ir atsargumo priemones.

Neperskaičius ir nesilaikant šių instrukcijų, įspėjimų ir įspėjamųjų pranešimų, galima sunkiai ar net mirtinai sužaloti asmenis ar naminius gyvūnus arba sugadinti turtą.

VISA ŠIO INSTRUKCIJŲ VADOVO TEKSTĄ RASITE INTERNETO SVETAINĖJE:

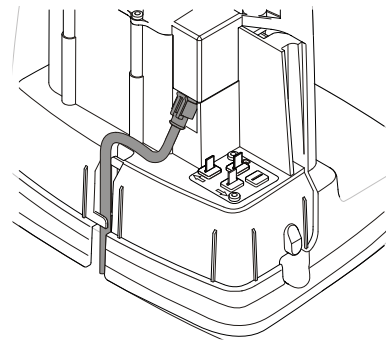
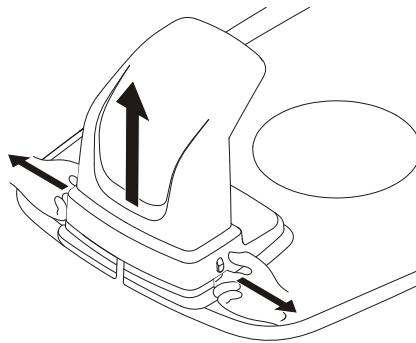
<https://url.globetools.systems/b53SR>



Turinį

Įrengimas.....	183
Maitinimo šaltinio prijungimas	183
Kontūro kabelio paklojimas	183
Gaminio sauga	184
Simbolių ant roboto vežapjovės paaiškinimas	184
Naudotojo vadovo skaitymas	184
Darbo sauga.....	186
Aplinkos apsauga	187
Trikčių šalinimas	188
LED indikatoriai ant roboto vežapjovės.....	188
Kontūro kabelio ir gido kabelio nutrūkimai	188
Techniniai duomenys	189
CE atitikties deklaracija	190

Šiame vadove pateikta medžiaga, techniniai duomenys ir iliustracijos yra tik patariamojo pobūdžio ir gali keistis. Gamintojas pasilieka sau teisę iš anksto nepranešęs daryti bet kokius pakeitimus įrenginio techninėse charakteristikose ir keisti jo veikimą, medžiagas, techninius duomenis ar iliustracijas.



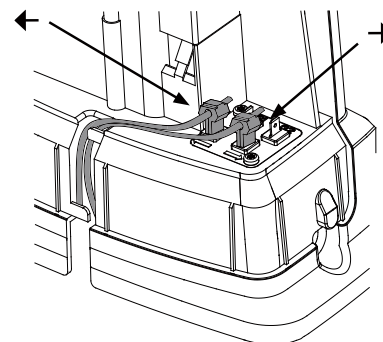
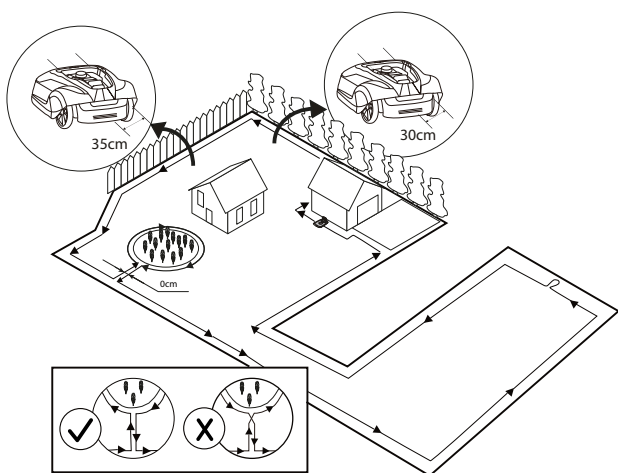
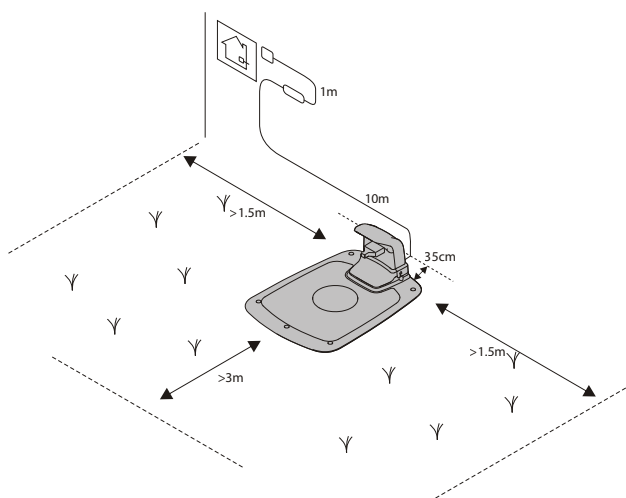
MAITINIMO ŠALTINIO PRIJUNGIMAS

Maitinimo šaltinį reikia prijungti sausoje, vėsioje ir nuo tiesioginių saulės spindulių apsaugotoje vietoje.

Jei maitinimo šaltinis jungiama prie lauke įrengto elektros lizdo, šis lizdas turi būti skirtas lauko sąlygoms.

Žemos įtampos kabelis gali kirsti darbo zoną, jeigu jis užkastas ar prispaustas prie vejos smaigais.

DĖMESIO: Žemos įtampos kabelio negalima perkirpti, sudurti ar keisti. Priešingu atveju panaikinama garantija.



KONTŪRO KABELIO PAKLOJIMAS

Pasidėkite kontūro kabelio ritę prie įkrovimo stotelės.

Eikite darbo zonos pakraščiu, tvirtindami kontūro kabelį smaigais prie vejos

paviršiaus arba jį užkasdami žemėje. Rekomenduojame naudoti smaigus, nes tuomet pirmosiomis darbo savaitėmis dar galima koreguoti kontūro

kabelio paklojimo konfigūraciją.

Kai kontūro kabelis tvirtinamas smaigais:

- Kabelio paklojimo vietoje kuo žemiau nupjaukite žolę įprastine vejapjove ar žoliapjove.
- Paklokite kontūro kabelį ant vejos ir nedideliu atstumu vienas nuo kito pritvirtinkite smaigais.
- Smaigus įspauskite į žemę ar įkalkite plaktuku.

Smaigų pernelyg giliai į žemę nesmeikite, kad jie per daug neįtemptų kontūro kabelio.

Kai kontūro kabelis užkasamas:

- Užkaskite kontūro kabelį žemėje 1–20 cm gylyje.

Informaciją apie tai, kaip pakloti kontūro kabelį, rasite vadove internete.



Gaminio sauga

Kaip šio naudotojo vadovo papildymą, prašome taip pat žiūrėti informaciją šioje interneto svetainėje: greenworkstools.eu.

SIMBOLIŲ ANT ROBOTŲ VEJAPJOVĖS PAAIŠKINIMAS



Tai pavojingas elektrinis įrankis. Dirbdami naudokite atsargiai ir laikykitės visų saugos instrukcijų ir įspėjimų.

Prieš pradėdami naudoti robotą vejapjovę atidžiai perskaitykite šį naudotojo vadovą.



Prieš tvarkydami ar keldami robotą vejapjovę ištraukite saugos raktą.



Darbo metu išsviestų šiukšlių pavojus.

Nuo dirbančio roboto vejapjovės laikykitės saugiu atstumu ir neleiskite kitų žmonių, ypač vaikų, naminių gyvūnų ir pašalinių asmenų į darbo zoną.



Draudžiama važinėti atsisėdus ant roboto vejapjovės.



III klasės įrenginys

NAUDOTOJO VADOVO SKAITYMAS

Prašome atkreipti dėmesį į šiuos svarbius simbolius, kai skaitote naudojimo instrukcijas.



Mūvėkite apsaugines pirštines

Kad naudotojo vadovą būtų lengviau suprasti, jame naudojama ši sistema:

- **ĮSPĖJIMAS!** Šie įspėjamieji tekstai įspėja naudotojus ir klientus apie grėšiančius pavojus ir jų pobūdį, kad jie galėtų apsaugoti nuo galimų traumų tinkamai elgdamiesi gaminio naudojimo metu.
- **DĖMESIO:** Šie įspėjamieji tekstai įspėja naudotojus ir klientus apie gaminiui grėšiančius pavojus ir jų pobūdį, kad jie galėtų gaminį apsaugoti nuo sugadinimo tinkamai elgdamiesi gaminio naudojimo metu.
- **PASTABA:** Pastabose naudotojams ir klientams pateikiama papildoma informacija apie gaminio naudojimą.
- Pusjuodžiu pasviruoju šriftu parašytas tekstas reiškia kitą šio naudotojo vadovo skyrių.
- Pusjuodžiu šriftu parašytas tekstas reiškia roboto vejapjovės nuostatas.

Gaminio sauga

SVARBU

ATIDŽIAI PERSKAITYKITE PRIEŠ NAUDODAMI! IŠSAUGOKITE VĖLESNIAM NAUDOJIMUI!

Saugaus darbo praktika

Apmokymas

ĮSPĖJIMAS! Automatinis robotas veja plovė! Nesiartinkite prie įrenginio! Prižiūrėkite vaikus!

- Atidžiai perskaitykite šias instrukcijas. Susipažinkite su valdymo įtaisais ir nurodymais, kaip tinkamai įrenginį naudoti.
- Įrenginio niekada neleiskite naudoti vaikams ar žmonėms, kurie neperskaitė šių instrukcijų. Vietiniai teisės aktai gali riboti naudotojo amžių.
- Operatorius arba naudotojas atsako už nelaimingus atsitikimus ir pavojus, keliamus kitiems žmonėms ir jų turtui.

Pasiruošimas

- Tiksliai pagal nurodymus paklokite kontūro ir kreipiamąjį kabelius.
- Periodiškai tikrinkite įrenginio darbo zoną ir pašalinkite iš jos visus akmenis, pagalius, vielas, kaulus ir kitus pašalinius daiktus.
- Periodiškai apžiūradami tikrinkite peiliukus, peiliukų varžtus ir pjovimo diską, ar nesudilę ir nepažeisti. Sudilusius ar pažeistus peiliukus ir varžtus keiskite komplektais, kad pjovimo disko neišbalansuotumėte.

Darbas

- Niekada nenaudokite įrenginio su neveikiančiomis apsaugomis arba be apsauginių įtaisų, pavyzdžiui, be korpuso.
- Nekiškite rankų ar kojų šalia arba po besisukančiomis dalimis.
- Niekada nekelkite ir nebandykite nešti įrenginio, kai jo variklis dirba.
- Ištraukite (ar suaktyvinkite) atjungimo įtaisą iš įrenginio:
 - -- prieš šalindami užstrigimo priežastį;
 - -- prieš įrenginį tikrindami, valydami ar tvarkydami.
- Nepalikite dirbančio įrenginio be priežiūros, jei žinote, kad netoliese yra naminių gyvūnų, vaikų ar kitų žmonių.

Techninė priežiūra ir laikymas

- Visos veržlės, varžtai ir sraigčiai turi būti priveržti, kad įrenginiu būtų saugu naudotis.
- Pakeiskite sudilusias ar pažeistas dalis, kad užtikrintumėte saugumą.
- Turi būti naudojamos tik tinkamo tipo pjovimo priemonės.
- Baterijos turi būti įkraunamos naudojant tik tinkamą ir gamintojo rekomenduojamą įkroviklį. Netinkamai naudodami galite patirti elektros smūgį, baterijos gali perkaisti arba iš jų gali ištekėti esdinantis skystis.
- Ištekėjus iš baterijos elektrolitui, nuplaukite jį vandeniu ir rūgščių neutralizavimo priemone; jam patekus į akis ar ant odos, kreipkitės į gydytoją.
- Įrenginį reikia techniškai prižiūrėti pagal gamintojo nurodymus.

ĮSPĖJIMAS! Baterijoms įkrauti naudokite tik nuimamą maitinimo bloką iš šio įrenginio komplekto.

ĮSPĖJIMAS! Šiame įrenginyje yra baterijos, kurias pakeisti gali tik kvalifikuotas asmuo.

Darbas

ROBOTO VEJAPJOVĖS PALEIDIMAS IR SUSTABDYMAS

Paleidimas:

- 1 Įkiškite saugos raktą ir pasukite jį prieš laikrodžio rodyklę į „1“ padėtį.
- 2 Pastumkite START mygtuko fiksatorių atgal.
- 3 Натиснете кнопки START.

Sustabdymas:

Paspauskite roboto veja plovė STOP mygtuką.

ROBOTO VEJAPJOVĖS IŠJUNGIMAS

Paspauskite roboto veja plovė STOP mygtuką ir ištraukite saugos raktą.

ĮSPĖJIMAS! Visada ištraukite saugos raktą prieš įrenginį perkeldami ir vykdydami techninės priežiūros procedūras.

Gaminio sauga



Atidžiai perskaitykite visas šiame naudojimo vadove pateikiamas instrukcijas ir atsargumo priemones prieš pradėdami įrenginį naudoti. Išsaugokite šį naudotojo vadovą vėlesniam naudojimui. Laikykitės gamintojo instrukcijų dėl įrengimo, darbo, techninės priežiūros ir remonto.

Šis robotas vejąplovė yra skirtas žolei pjauti atvirose ir lygiuose vietose. Naudokite tik gamintojo rekomenduojamą įrangą. Bet kokie kiti naudojimo būdai yra netinkami.



Šis robotas vejąplovė atitinka CE saugos standartus ir direktyvas dėl elektromagnetinio suderinamumo, mašinų ir žemos įtampos.



Šis įrenginys nėra skirtas naudoti asmenims (įskaitant vaikus), kurių sumažėję fiziniai, jutiminiai ar psichiniai gebėjimai, arba kuriems trūksta patirties ir žinių, nebent už jų saugumą atsakingas asmuo juos prižiūri ar apmoko, kaip tinkamai šį įrenginį naudoti.

Vaikus reikia prižiūrėti, kad jie nežaistų su įtaisu.

Įrenginį gali valdyti, techniškai prižiūrėti ir remontuoti tik asmenys, kurie puikiai supranta specialias jo savybes ir žino saugos reikalavimus.

Paleiskite robotą vejąplovę pagal instrukcijas. Kai saugos raktas yra pasuktas į įjungimo padėtį, nekiškite rankų ir kojų prie besisukančių peiliukų.

Niekada nekiškite rankų ar kojų po robotu vejąplove.

Nebandykite keisti įrenginio konstrukcijos. Bet kokie pakeitimai panaikina garantiją.

Išjunkite robotą vejąplovę paspausdami STOP mygtuką, kai pjovimo zonoje atsiranda žmonės, ypač vaikai ar naminiai gyvūnai. Įrenginį rekomenduojama užprogramuoti darbui tokiu metu, kai darbo zonoje nėra žmonių ir naminių gyvūnų.

Išjunkite robotą vejąplovę paspausdami STOP mygtuką, kai pjovimo zonoje atsiranda žmonės, ypač vaikai ar naminiai gyvūnai. Įrenginį rekomenduojama užprogramuoti darbui tokiu metu, kai darbo zonoje nėra žmonių ir naminių gyvūnų.

Niekada įrenginio nekelkite ir neneškite, kai saugos raktas įkištas.

Nenaudojamą robotą vejąplovę visada išjunkite paspausdami STOP mygtuką. Robotą vejąplovę galima paleisti tik įkišus saugos raktą ir paspaudus START mygtuką.

Įrenginio signalizacija skamba labai garsiai. Būkite atsargūs, ypač jei robotą vejąplovę tvarkote patalpoje.

Nenaudokite roboto vejąplovės su pažeistu peiliukų disku ar korpusu.

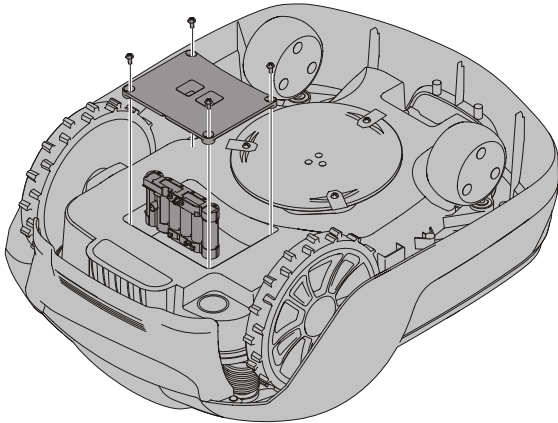
Neleiskite įrenginio naudoti asmenims, kurie jo nežino ir nemoka naudoti.

Nieko nedėkite nei ant roboto vejąplovės, nei ant jo įkrovimo stotelės viršaus.



Tvarkydami įrenginio peiliukus visada mūvėkite apsaugines pirštines.

Baterijos keitimas



ĮSPĖJIMAS! Ištekėjus iš baterijos elektrolitui, nuplaukite jį vandeniu ir rūgščių neutralizavimo priemone; jam patekus į akis, kreipkitės į gydytoją.

Bateriją galima įkrauti tik originalioje įkrovimo stotelėje. Netinkamai naudodami galite patirti elektros smūgį, baterijos gali perkaisti arba iš jų gali ištekėti išsivienijantis skystis.

Baterijos nereikia techniškai prižiūrėti, tačiau jos naudojimo laikas yra ribotas: 2–4 metai, priklausomai nuo sezono trukmės ir nuo to, kiek valandų per dieną naudojamas robotas vejojant.

ĮSPĖJIMAS! Prieš keisdami baterijas paspauskite STOP mygtuką ir ištraukite apsauginį raktą bei mūvėkite apsaugines pirštines.

DĖMESIO: Naudokite tik originalias atsargines dalis.

Apverskite robotą vejojant aukštyn ratais, išsukite visus keturis varžtus su „Torx T20“ galvutėmis ir nuimkite baterijų skyriaus dangtelį. Atjunkite baterijos gnybtų jungtį.

Bateriją iškelkite tiesiai į viršų.

Į 1 lizdą (galinį lizdą) įstatykite naują bateriją.

Prijunkite baterijos gnybtų jungtį prie naujos baterijos.

Vėl uždėkite į vietą baterijų skyriaus dangtelį ir įstatykite ir priveržkite visus keturis varžtus su „Torx T20“ galvutėmis.

Įstatykite saugos raktą į lizdą roboto vejojant apačioje ir pasukite į įjungimo padėtį.

Pastatykite robotą vejojant į įkrovimo stotelę, kad galėtumėte įjungti ir įkrauti bateriją.

Aplinkos apsauga



Pagal Europos Sąjungos direktyvą 2012/19/ES dėl netinkamos naudoti elektrinės ir elektroninės įrangos ir pagal Europos Sąjungos direktyvą 2006/66/EB sugedusias ar panaudotas sudėtines baterijas reikia surinkti atskirai ir išmesti aplinkai nekenkiančiu būdu.

Šis simbolis ant roboto vejojant ar jo pakuotės rodo, kad šio gaminio negalima išmesti kartu su buitinėmis atliekomis. Vietoje to jį reikia pristatyti į tokių atliekų perdirbimo centrą ir perdirbti jo elektrines dalis ir baterijas.

Baterijos įmontuotos įrenginio apačioje važiuoklėje.

Tinkamai pasirūpinę šiuo gaminiu galite padėti sumažinti jo galimą neigiamą poveikį aplinkai ir žmonėms, nes priešingu atveju, jei gaminį netinkamai išmesite, jis gali pakenkti.

Daugiau informacijos apie šio gaminio perdirbimą jums suteiks jūsų savivaldybės aplinkos apsaugos skyrius, jūsų buitinių atliekų surinkimo įmonė arba parduotuvė, kurioje gaminį įsigijote.



Pristatydami panaudotą įrenginį ir pakuotę į tokių atliekų surinkimo vietą, suteiksite galimybę perdirbamas medžiagas panaudoti pakartotinai. Pakartotinai naudojamos medžiagos padeda išvengti aplinkos užteršimo ir mažina žaliavų poreikį.

Batteries



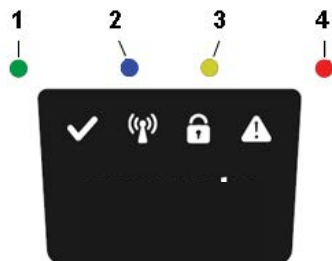
Li-ion

Kai baterijos tampa netinkamomis naudoti, išmeskite jas aplinkai nekenkiančiu būdu. Baterijos sudėtyje yra pavojingos jums ir aplinkai medžiagos. Šiuos elementus turite išimti ir pristatyti į ličio jonų baterijų surinkimo vietą.

Trikčių šalinimas

Šiame skyriuje pateikti kai kurie požymiai, pagal kuriuos galite nustatyti roboto vežapjovės trikties priežastį.

LED INDIKATORIAI ANT ROBOTO VEJAPJOVĖS



LED	BŪSENA	REIŠMĖ	VEIKSMAI
1. Darbas (žalias)	Mirksi	Atkūrimo režimas	Pastatykite robotą į įkrovimo stotelę iki 5 valandų ir palaukite, kol nustos mirksėti žalias LED indikatorius. Jeigu LED indikatorius nenustoja mirksėti, perkeltkite robotą vežapjovę iš įkrovimo stotelės į darbo zoną, paleiskite ir pabandykite dar kartą.
	Dega	Įrenginys veikia darbo režime (vyksta įkrovimas, stovi įkrovimo stotelėje, pristabdytas, pjauna žolę ar vykdo paiešką).	
	Nedega	Robotas vežapjovė sustabdytas STOP mygtuku, saugos raktas pasuktas į išjungimo padėtį, įrenginys yra klaidos būsenoje ar laukia PIN kodo įvedimo.	
2. Ryšys (mėlynas)	Mirksi	Bando prisijungti prie interneto serverio	
	Dega	Prisijungta prie interneto serverio	
	Nedega	Robotas vežapjovė neįjungtas.	
3. Sauga (geltonas)	Mirksi	Reikia įvesti PIN kodą.	... per mobiliąją programėlę.
	Nedega	PIN kodo nereikia.	Nieko nereikia daryti.
4. Klaida (raudonas)	Mirksi	Robotas vežapjovė sustojo dėl klaidos.	Pasitikrinkite dėl klaidos priežasties, pašalinkite klaidą ir vėl paleiskite įrenginį, paspausdami START mygtuką.

KONTŪRO KABELIO IR GIDO KABELIO NUTRŪKIMAI

Kontūro kabelis ir gido kabelis (jei paklotas) paprastai pažeidžiami dėl neatsargumo.

Patikrinkite visą kontūro kabelį nuo įkrovimo stotelės ir atgal iki jos.

Patikrinkite gido kabelį (jei paklotas) nuo įkrovimo stotelės iki jungties su kontūro kabeliu.

Patikrinkite visas jungtis, ar jos tinkamai suspaustos.

Techniniai duomenys

	OPTIMOW 10	OPTIMOW 15
Matmenys:		
Aukštis	26 cm	26 cm
Ilgis	62 cm	62 cm
Plotis	50 cm	50 cm
Svoris	11 kg	11 kg
Elektros sistema:		
Baterija, speciali ličio jonų baterija	24 V / 2,0 Ah, dalies Nr.211022355 /T0100607-00	24 V / 2,0 Ah, dalies Nr.211022355 /T0100607-00
Maitinimo šaltinis	220–240 V / 32 V DC	220–240 V / 32 V DC
Žemos įtampos kabelio ilgis	10 m	10 m
Vidutinės energijos sąnaudos maksimaliai naudojant	8 kWh/mėn., kai darbo zonos plotas 1 000 m ²	10 kWh/mėn., kai darbo zonos plotas 1 500 m ²
Įkrovimo srovė	1,3 A, nuolatinė srovė	1,3 A, nuolatinė srovė
Vidutinis įkrovimo laikas	140 minučių	70 minučių
Vidutinė pjovimo trukmė	70 minučių	70 minučių
Skleidžiamas triukšmas: *)		
Išmatuotas garso galios lygis **)	55 dB (A)	55 dB (A)
Garantuotas garso galios lygis	57 dB (A)	57 dB (A)
Garso slėgio lygis ***)	44 dB (A)	44 dB (A)
Žolės pjovimas:		
Pjovimo sistema	Trys aplink savo ašį besisukantys peiliukai	Trys aplink savo ašį besisukantys peiliukai
Vidutinės galios sąnaudos pjovimo metu	25 W ± 20%	25 W ± 20%
Pjovimo aukštis	2-6 cm	2-6 cm
Pjovimo plotis	22 cm	22 cm
Siauriausias galimas pravažiavimas	60 cm	60 cm
Maksimalus pjovimo zonos nuolydis	35%	35%
Maksimalus kontūro kabelio nuolydis	15%	15%
Maksimalus kontūro kabelio ilgis	800 m	800 m
Darbinė galia (pjaunamas plotas) ****)	1,000 m ²	1,500 m ²
Rekomenduojamas pjaunamas plotas	0 - 700 m ²	500 - 1,200 m ²
Apsaugos klasė IP:		
Robotas vejpjovė	IPX5	IPX5
Įkrovimo stotelė	IPX3	IPX3
Maitinimo šaltinis	IP67	IP67

INFORMACIJA APIE RADIJO DAŽNIUS

	LTE IR GSM	Trumpojo nuotolio prietaisai (kontūro kabelis)
Dažnių diapazonas	LTE-FDD: B1/B2/B3/B4/B5/B8/B12/B13/B18/ B19/B20/B25/B26/B27/B28/B66/B71/B85 GSM: 850/900/1800/1900 MHz	0~148.5KHz
Maksimali išvesties galia (dBm)	LTE-FDD: 21 dBm +1.7/-3 dB GSM850/EGSM900: 33 dBm ±2 dB DCS1800/PCS1900: 30 dBm ±2 dB GSM850/EGSM900 (8-PSK): 27 dBm ±3 dB DCS1800/PCS1900 (8-PSK): 26 dBm ±3 dB	NA

*) Skleidžiamas triukšmas atitinka EN 50636-2-107 reikalavimus

**) Neapibrėžtys KWA, 2 dB (A)

***) Neapibrėžtys KPA, 2 dB (A)

****) Darbinės galios deklaracija atitinka EGMF RLM004-1.0/2016

CE atitikties deklaracija

Gamintojo pavadinimas ir adresas:

Gamintojas: Globe Technologies Europe GmbH

Adresas: Brunnenweg 17, 64331 Weiterstadt, Vokietija

Pavardė ir adresas asmens, įgalioto parengti techninę dokumentaciją:

Vardas, pavardė: Ralf Pankalla

Adresas: Brunnenweg 17, 64331 Weiterstadt, Vokietija



Šiuo pareiškiame, kad gaminys:

Kategorija:	Robotas vejapjovė
Modelis:	Greenworks Optimow 10/ Greenworks Optimow 15
Serijos Nr.:	Žr. gaminio techninių duomenų plokštelę
Pagaminimo metai:	Žr. gaminio techninių duomenų plokštelę

- atitinka susijusias Mašinų direktyvos 2006/42/EB nuostatas;
- atitinka šių kitų EB direktyvų nuostatas:

- Elektromagnetinis suderinamumas – direktyva 2014/30/ES
- Radijo įranga – direktyva 2014/53/ES
- Žemos įtampos direktyva 2014/35/ES
- Direktyva dėl tam tikrų pavojingų medžiagų naudojimo elektros ir elektroninėje įrangoje apribojimo (RoHS) 2011/65/ES ir (ES) 2015/863

- Be to, mes pareiškiame, kad buvo panaudotos šių standartų nuostatos:

- EN 60335-1, EN 50636-2-107, EN 60335-2-29,
- EN 62233, EN 55014-1, EN 55014-2, EN 61000-3-2,
- EN 61000-3-3, EN 61558-1, EN 61558-2-16, EN 62311,
- EN 303 447, EN 303 413, EN 301 511,
- EN 301 489-1, EN 301 489-19, Проект ESTI EN 301 489-52,
- EN 62321-3-1, EN 62321-4, EN 62321-5, EN 62321-6,
- EN 62321-7-1, EN 62321-7-2, EN 62321-8

Ted Qu Haichao
Kokybės vadovas
Weiterstadt, 2021-06-26

Ted Qu

urpmākajās lapās ir sniegti drošības, remonta un apkopes norādījumi. Informāciju par ekspluatāciju skatiet iekārtas komplektācijā iekļautajā Īsajā pamācībā.

Rūpīgi izlasiet un pārskatiet visus šajā rokasgrāmatā un Īsajā pamācībā sniegtos drošības norādījumus, brīdinājumus un piesardzības pasākumus.

Neizlasot un neievērojot šos norādījumus, brīdinājumus un piesardzības pasākumus, personas vai mājdzīvnieki var gūt smagas vai nāvējošas traumas vai var tikt izraisīti īpašuma bojājumi.

PILNA INSTRUKCIJAS ROKASGRĀMATA IR PIEEJAMA TĪMEKĻA VIETNĒ:

<https://url.globetools.systems/4Yb7w>

QR код:

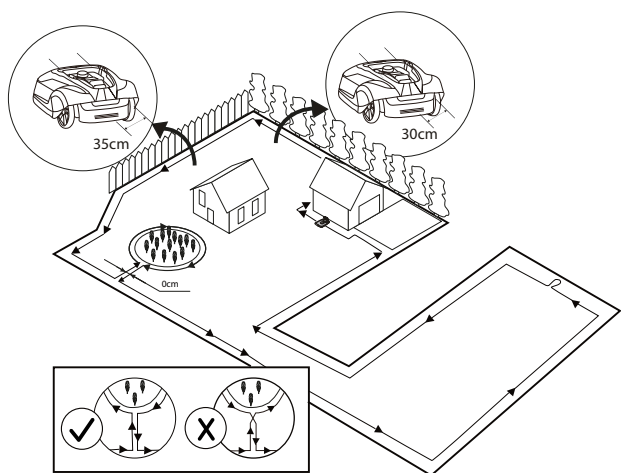
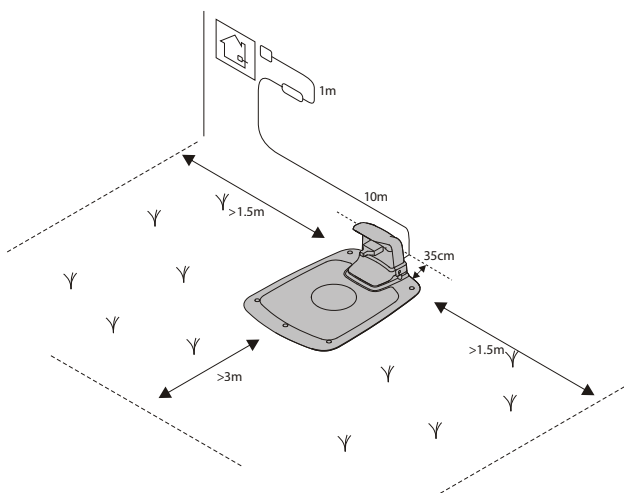
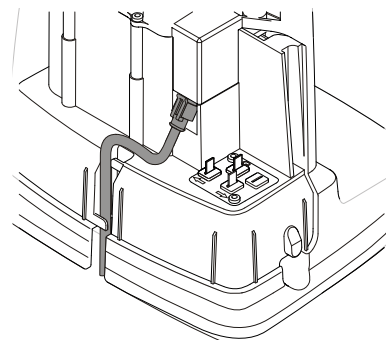
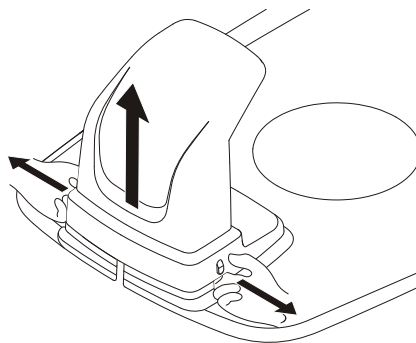


Saturu

Uzstādīšana.....	192
Barošanas avota savienošana.....	192
Robežvada uzstādīšana.....	192
Izstrādājuma drošība.....	193
Zāles plāvēja simbolu skaidrojums.....	193
Operatora rokasgrāmatas lasīšana.....	193
Ekspluatācijas drošība.....	195
Vides aizsardzība.....	196
Problēmu novēršana.....	197
Zāles plāvēja LED indikatori.....	197
Robežvada un virzošā vada pārrāvumi.....	197
Tehniskie dati.....	198
ES atbilstības deklarācija.....	199

Šajā rokasgrāmatā sniegtie materiāli, tehniskie dati un vērtības ir tikai informatīvi, un nav saistoši. Ražotājs patur tiesības veikt jebkādas tehnisko raksturvērtību un visu funkciju darbības, materiālu, tehnisko datu vai vērtību izmaiņas bez iepriekšēja brīdinājuma.

Uzstādīšana



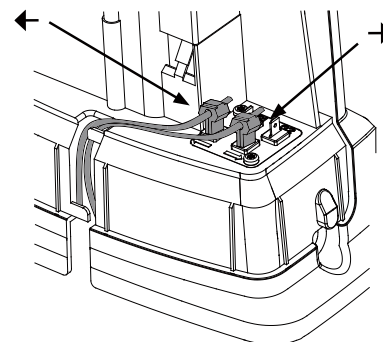
BAROŠANAS AVOTA SAVIENOŠANA

Savienojiet barošanas avotu vēsā, sausā vidē; vietā, kas nav pakļauta tiešai saules gaismai.

Ja barošanas avots tiek savienots ar elektrības kontaktligzdu ārā, tai ir jābūt apstiprinātai lietošanai ārā.

Zemsprieguma kabelis var šķērsot darba zonu, ja tas tiek pieskavots vai ierakts.

UZMANĪBU! Negrieziet, nemetiniet vai nemodificējiet zemsprieguma kabeli. Tiek mainīta izstrādājuma garantija.



ROBEŽVADA UZSTĀDĪŠANA

Nolieciet zonu aptverošā vada spoli pie uzlādes stacijas.

Atgriezieties gar darba zonas robežu un nostipriniet robežvadu, izmantojot

tapas vai ierokot to zemē. Ieteicams izmantot tapas, jo tās ļauj veikt pielāgojumus pirmo darba nedēļu laikā.

Nostiprinot robežvadu ar tapām, veiciet tālāk norādītās darbības.

- Nogrieziet zāli ļoti zemu ar standarta zāles plāvēju vai trimmeri vietā, kur paredzēts izvietot vadu.
- Novietojiet zobežvadu uz zemes un nostipriniet to ar tapām, kas izvietotas viena otrai tuvu.
- Iespiediet vai iedzeniet ar āmuru zemē tapas.

Neiespiediet tapas zemē tik dziļi, ka tās nostiepj robežvadu.

Zobežvadu ierokot, veiciet tālāk norādītās darbības.

- Ierociet robežvadu zemē 1–20 cm dziļumā.

Informāciju par virzošā vada uzstādīšanu skatiet pilnajā rokasgrāmatā tiešsaistē.

Izstrādājuma drošība

Papildus šai operatora rokasgrāmatai plašāka informācija ir pieejama tīmekļa vietnē:

www.greenworkstools.eu.

ZĀLES PĻĀVĒJA SIMBOLU SKAIDROJUMS



Šī ierīce ir bīstams elektroinstruments. Eksploatācijas laikā rīkojieties uzmanīgi un ievērojiet visus drošības norādījumus un brīdinājumus.

Pirms zāles pļāvēja eksploatācijas rūpīgi izlasiet operatora rokasgrāmatu.



Pirms darba veikšanas ar zāles pļāvēju vai tā pacelšanas izņemiet drošības atslēgu.



Eksploatācijas laikā pastāv izsviestu objektu bīstamība.

Eksploatācijas laikā ievērojiet drošu attālumu no zāles pļāvēja, un nodrošiniet, lai cilvēki, jo īpaši bērni, mājdzīvnieki un skatītāji atrastos pietiekamā attālumā no zāles pļāvēja darba zonas.



Nebrauciet ar zāles pļāvēju.



III klases iekārta

OPERATORA ROKASGRĀMATAS LASĪŠANA

Tālāk sniegtie simboli ir svarīgi eksploatācijas norādījumu lasīšanas laikā un lai tos saprastu.



Valkāt aizsargcimdus.

Operatora rokasgrāmatā tiek izmantota tālāk norādītā sistēma, lai atvieglotu tās izpratni:

- **BRĪDINĀJUMS!** Brīdinājuma teksti brīdina lietotājus un patērētājus par bīstamības pastāvēšanu un veidu, lai viņi varētu novērst traumu gūšanu, ievērojot pareizu rīcību izstrādājuma lietošanas laikā.
- **UZMANĪBU:** Teksti uzmanības pievēršanai brīdina lietotājus un patērētājus par riskiem, lai viņi varētu novērst izstrādājuma bojājumu rašanos, ievērojot pareizu rīcību izstrādājuma lietošanas laikā.
- **PIEZĪME!** Piezīmes informē lietotājus un patērētājus par papildu informāciju attiecībā uz izstrādājuma lietošanu.
- Tests treknrakstā un slīprakstā atsaucas uz citu operatora rokasgrāmatas sadaļu.
- Teksts treknrakstā attiecas uz zāles pļāvēja iestatījumiem.

Izstrādājuma drošība

SVARĪGI

RŪPĪGI IZLASIET PIRMS LIETOŠANAS! SAGLABĀJIET TURPMĀKAI ATSAUCEI!

Drošas ekspluatācijas metodes

Iekārtas lietošanas apgūšana

BRĪDINĀJUMS! Automātisks zāles plāvējs! Turieties drošā attālumā no iekārtas! Nodrošiniet bērnu uzraudzību!

- Rūpīgi izlasiet visus norādījumus. Iepazīstieties ar iekārtas vadības elementiem un pareizu lietošanu.
- Nekad neļaujiet personām, kas nav iepazinušās ar šiem norādījumiem, vai bērniem izmantot šo iekārtu. Vietējie noteikumi var ierobežot iekārtas operatora vecumu.
- Ņemiet vērā, ka operators vai lietotājs ir atbildīgs par negadījumiem vai bīstamību, kas var rasties citiem cilvēkiem vai īpašumam.

Sagatavošanās darbam

- Nodrošiniet, ka robežvads un virzošais vads ir uzstādīti atbilstoši norādēm.
- Regulāri pārbaudiet zonu, kurā iekārtu paredzēts lietot, un aizvāciet visus akmeņus, zarus, vadus, kaulus un citus svešķermeņus.
- Regulāri apskatiet, vai asmeņi, asmeņu bultskrūves un griezējmezgls nav nodiluši vai bojāti. Nomainiet nodilušus vai bojātus asmeņus un bultskrūves vienlaicīgi, lai netiktu izjaukts šo daļu līdzsvars.

Ekspluatācija

- Nekad nedarbiniet iekārtu ar bojātiem aizsargiem vai bez uzstādītām drošības ierīcēm, piemēram, korpusa.
- Neturiet plaukstu vai pēdas rotējošu daļu tuvumā vai zem tām.
- Nekad neceliet un nenesiet iekārtu ar ieslēgtu motoru.
- Izņemiet (vai darbiniet) izslēgšanas ierīci no iekārtas
- -- pirms nosprostošanas iztīrīšanas;
- -- pirms iekārtas pārbaudes, tīrīšanas vai apkopes.
- Neļaujiet iekārtai darboties bez uzraudzības, ja zināt, ka tuvumā atrodas mājdzīvnieki, bērni vai cilvēki.

Apkope un uzglabāšana

- Lai iekārta būtu drošā darba stāvoklī, visiem uzgriežņiem, bultskrūvēm un skrūvēm ir jābūt kārtīgi pievilkti.
- Drošības nolūkos nolietotās vai bojātās daļas ir jānomaina.
- Nodrošiniet, ka nomaīņai tiek izmantoti tikai pareizu veidu plaušanas līdzekļi.
- Nodrošiniet, ka akumulatori tiek uzlādēti, izmantojot pareizo, ražotāja ieteikto lādētāju. Nepareizas lietošanas gadījumā var rasties elektriskās strāvas trieciens, pārkaršana vai kodīga šķidrums noplūde no akumulatora.
- Ja rodas elektrolītu noplūde, skalojiet ar ūdeni/neitralizējošu līdzekli, vērsieties pēc medicīniskās palīdzības, ja tas nonāk saskarē ar acīm u. c.
- Iekārtas apkope jāveic saskaņā ar ražotāju norādījumiem.

BRĪDINĀJUMS! Akumulatora uzlādei izmantojiet tikai šīs ierīces komplektācijā iekļauto noņemamo barošanas bloku.

BRĪDINĀJUMS! Šī ierīce satur akumulatorus, ko nomainīt drīkst tikai apmācīta persona.

Ekspluatācija

ZĀLES PLĀVĒJA IEDARBINĀŠANA UN APTURĒŠANA

Zāles plāvēja iedarbināšana:

- 1 Ievietojiet drošības atslēgu un pagrieziet to pretēji pulksteņrādītāju kustības virzienam pozīcijā "1".
- 2 Bīdīet iedarbināšanas pogas START aizturi uz aizmuguri.
- 3 Nospiediet iedarbināšanas pogu START.

Zāles plāvēja apturēšana:

Nospiediet zāles plāvēja apturēšanas pogu STOP.

ZĀLES PLĀVĒJA IZSLĒGŠANA

Nospiediet zāles plāvēja apturēšanas pogu STOP un izņemiet drošības atslēgu.

BRĪDINĀJUMS! Pirms apkopes darbu veikšanas vai ja zāles plāvējs ir jāpārvieta, vienmēr izņemiet drošības atslēgu.

Izstrādājuma drošība

Šajā operatora rokasgrāmatā ir sniegta visa pamatinformācija par drošu zāles plāvēja ekspluatāciju un apkopi.



Pirms zāles plāvēja ekspluatācijas rūpīgi izlasiet visus drošības pasākumus un norādījumus šajā operatora rokasgrāmatā. Saglabājiet šo operatora rokasgrāmatu turpmākai atsaucei. Ievērojiet ražotāja norādījumus par uzstādīšanu, ekspluatāciju, apkopi un remontu.

Šis zāles plāvējs ir paredzēts zāles plaušanai klajās un līdzenās zonās. Izmantojiet tikai ražotāja ieteikto aprīkojumu. Visi citi lietošanas veidi ir nepareizi.



Šis zāles plāvējs atbilst CE drošības standartiem un direktīvām attiecībā uz elektromagnētisko saderību, iekārtām un zemspriegumu.



Iekārta nav paredzēta lietošanai personām (tostarp bērniem) ar ierobežotām fiziskām, maņu vai garīgām spējām vai pieredzes un zināšanu trūkumu, ja vien tās neuzrauga vai nav apmācījusi lietot šo ierīci par viņu drošību atbildīgā persona.

Jāuzrauga, lai bērni nerotaļātos ar šo iekārtu.

Zāles plāvēju drīkst ekspluatēt, apkopt un remontēt tikai personas, kas pilnībā izprot tā īpašās iezīmes un drošības noteikumus.

Iedarbiniet zāles plāvēju saskaņā ar norādījumiem. Ja drošības atslēga ir pagriezta iespējamā pozīcijā, sargiet rokas un pēdas no rotējošiem asmeņiem.

Nekādā gadījumā nenovietojiet rokas un pēdas zem zāles plāvēja.

Nemodificējiet zāles plāvēja sākotnējo konstrukciju. Visas modifikācijas anulē garantiju.

Izslēdziet zāles plāvēju, izmantojot tā izslēgšanas pogu STOP, ja plaušanas zonā atrodas cilvēki, jo īpaši bērni, vai mājdzīvnieki. Zāles plāvēju ieteicams ieprogrammēt darbam stundās, kad teritorijā neatrodas cilvēki.

Aizvāciet no darba zonas tādus objektus kā zarus, rotaļlietas, akmeņus, instrumentus, kas var sabojāt asmeņus. Zāles plāvējs var aizķerties uz objektiem darba zonā, un pirms tas var turpināt plaušanu var būt nepieciešama palīdzība izņemt priekšmetu.

Nekādā gadījumā nepaceliet zāles plāvēju un nenesiet to, ja drošības atslēga ir ievietota.

Vienmēr izslēdziet zāles plāvēju, izmantojot izslēgšanas pogu STOP, ja zāles plāvējs netiek lietots. Zāles plāvēju var iedarbināt tikai tad, ja drošības atslēga ir ievietota un iedarbināšanas poga START ir nospiesta.

Iebūvētais trauksmes signāls ir ļoti skaļš. Esiet piesardzīgs, it īpaši, kad ar plāvēju rīkojaties iekštelpās.

Neizmantojiet zāles plāvēju ar bojātu asmeņu disku vai korpusu.

Neļaujiet personām, kas nezina, kā zāles plāvējs darbojas un uzvedās, to lietot.

Nenovietojiet neko uz zāles plāvēja vai tā uzlādes stacijas.

Veicot darbu ar zāles plāvēja asmeņiem, vienmēr valkājiet aizsargcimdus.



Akumulatora ievietošana

BRĪDINĀJUMS! Elektrolīta noplūdes gadījumā skalot ar ūdeni/neutralizējošu līdzekli un meklēt medicīnisko palīdzību, ja elektrolīts nokļūst acīs.

Uzlādējiet akumulatoru tikai oriģinālajā uzlādes stacijā. Nepareizas lietošanas gadījumā var rasties elektriskās strāvas trieciens, pārkaršana vai kodīga šķidrums noplūde no akumulatora.

Akumulatoram nav nepieciešama apkope, taču tam ir ierobežots kalpošanas laiks no 2 līdz 4 gadiem atkarībā no sezonas ilguma un zāles plāvēja lietošanas stundu skaita dienā.

BRĪDINĀJUMS! Pirms nomaināt akumulatorus nospiediet pogu STOP un izņemiet drošības atslēgu un uzvelciet aizsargcimdus.

UZMANĪBU! Izmantojiet tikai oriģinālās rezerves daļas.

Apgrieziet zāles plāvēju otrādi un izskrūvējiet visas četras skrūves ar gremdgalvu T20 un noņemiet akumulatora vāciņu.

Atvienojiet akumulatora spaiļus savienotāju.

Izceliet akumulatoru ārā.

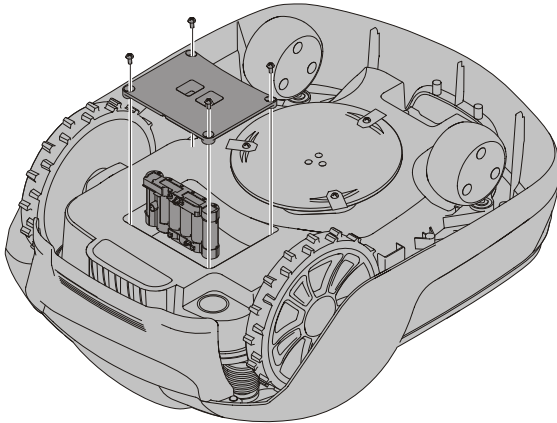
Ievietojiet jauno akumulatoru 1. rievā (aizmugurējā rievā).

Savienojiet akumulatora spaiļus savienotāju ar jauno akumulatoru.

Uzlieciet atpakaļ akumulatora vāciņu un ielieciet un pieskrūvējiet visas četras skrūves ar gremdgalvu T20.

Ielieciet drošības atslēgu zāles plāvēja apakšpusē un pagrieziet iespējošanas pozīcijā.

Lai iespējotu un uzlādētu akumulatoru, novietojiet zāles plāvēju uzlādes stacijā.



Vides aizsardzība



Saskaņā ar Eiropas Direktīvu 2012/19/ES elektriskās un elektroniskās ierīces, kas vairs nav lietojamas, un saskaņā ar Eiropas Direktīvu 2006/66/EK bojātas vai izmantotas baterijas un akumulatori ir jāsavāc atsevišķi un jāutilizē videi piemērotā veidā.

Simbols uz zāles plāvēja vai tā iepakojuma norāda, ka šo izstrādājumu nevar utilizēt kā sadzīves atkritumus. Tas ir jānodod piemērotā otrreizējas pārstrādes centrā, lai pārstrādātu tā elektroniskās daļas un akumulatorus.

Akumulatori ir nostiprināti šasijā zem zāles plāvēja.

Nodrošinot, ka izstrādājums tiek utilizēts pareizi, jūs varat palīdzēt neutralizēt negatīvo ietekmi uz vidi un cilvēkiem, kas citādi varētu rasties nepareizas šī izstrādājuma atkritumu apsaimniekošanas dēļ.

Lai iegūtu papildinformāciju par šī izstrādājuma otrreizēju pārstrādi, sazinieties ar savu pašvaldību, sadzīves atkritumu apsaimniekotāju vai veikalu, kurā iegādājāties izstrādājumu.



Lietotas iekārtas un iepakojuma atkritumu atsevišķa savākšana nodrošina materiālu pārstrādi un atkārtotu izmantošanu.

Otrreizēji pārstrādāto materiālu izmantošana palīdz novērst vides piesārņojumu un samazina nepieciešamo izejvielu apjomu.

Batteries



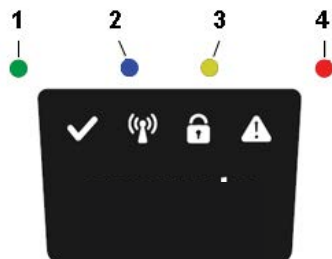
Li-ion

Akumulatoru kalpošanas laika beigās atbrīvojieties no tiem, saudzējot mūsu apkārtējo vidi. Akumulators satur materiālus, kuri jums un videi ir bīstami. Atbrīvojieties no šiem materiāliem atsevišķi, nogādājot uz punktu, kas pieņem litija jonu baterijas.

Problēmu novēršana

Šajā sadaļā ir aprakstīti arī daži simptomi, kas var sniegt padomus, ja zāles plāvējs nedarbojas tā, kā paredzēts.

ZĀLES PĻĀVĒJA LED INDIKATORI



LED	STATUSS	NOZĪME	RĪCĪBA
1. Работает (зеленый)	Mirgo	Atkopšanas režīms	Novietojiet robotu uzlādes stacijā un atstājiet līdz 5 stundām, līdz zaļās gaismas diode pārstāj mirgot. Ja LED indikators nepārstāj mirgot, restartējiet robotu ārpus uzlādes stacijas un mēģiniet vēlreiz.
	Ieslēgts	Zāles plāvējs ir darba režīmā (notiek uzlādes, atrodas uzlādes stacijā, ir apturēts, pļauj vai meklē).	
	Izslēgts	Zāles plāvējs ir apturēts, izmantojot tā apturēšanas pogu STOP, drošības atslēgas atrodas atspējotā pozīcijā, zāles plāvējam pastāv kļūdas statuss vai zāles plāvējs gaida PIN koda ievadi.	
2. Savienojamība (zils)	Mirgo	Mēģina izveidot savienojumu ar interneta serveri	
	Ieslēgts	Savienots ar interneta serveri	
	Izslēgts	Zāles plāvējs nav ieslēgtā režīmā.	
3. Drošība (dzeltens)	Mirgo	Nepieciešama PIN koda autorizācija.	...Izmantojot mobilo lietotni.
	Izslēgts	PIN kods nav nepieciešams.	Nekas nav jādara.
4. Kļūda (sarkans)	Mirgo	Zāles plāvējs pārtrauca darbību kļūdas dēļ.	Pārbaudiet kļūdas iemeslu un restartējiet zāles plāvēju, izmantojot tā iedarbināšanas pogu.

ROBEŽVADA UN VIRZOŠĀ VADA PĀRRĀVUMI

Robežvada un virzošā vada pārrāvumi (ja tāds uzstādīts) parasti rodas netīšu fizisku bojājumu dēļ.

Pārbaudiet visu robežvadu no uzlādes stacijas atpakaļ līdz tai.

Pārbaudiet virzošo vadu (ja tāds uzstādīts) no uzlādes stacijas līdz savienojumam ar robežvadu.

Pārbaudiet, vai visas savienotājdetaļas ir pareizi saspiestas un nodrošina savienojumu.

Tehniskie dati

	OPTIMOW 10	OPTIMOW 15
Izmēri:		
Augstums	26 cm	26 cm
Garums	62 cm	62 cm
Platums	50 cm	50 cm
Svars	11 kg	11 kg
Elektrosistēma::		
Akumulators, ģipaša litija jonu baterija	24 V / 2,0 Ah, daļas Nr.211022355 /T0100607-00	24 V / 2,0 Ah, daļas Nr.211022355 /T0100607-00
Barošanas avots	220-240 V/32 V DC	220-240 V/32 V DC
Zemsprieguma kabeļa garums	10 m	10 m
Vidējais enerģijas patēriņš ar maksimālo slodzi	8 kWh/mēnesī 1 000 m ² darba zonā	10 kWh/mēnesī 1 500 m ² darba zonā
Uzlādes strāva	1,3 A līdzstrāva	1,3 A līdzstrāva
Vidējais uzlādes laiks	140 minūtes	70 minūtes
Vidējais griešanas laiks	70 minūtes	70 minūtes
Trokšņa emisijas: *)		
Izmērītais skaņas intensitātes līmenis **)	55 dB (A)	55 dB (A)
Garantētais skaņas intensitātes līmenis	57 dB (A)	57 dB (A)
Skaņas spiediena līmenis ***)	44 dB (A)	44 dB (A)
Plāšana:		
Griezējsistēma	Trīs rotējoši griezējasmeņi	Trīs rotējoši griezējasmeņi
Vidējais enerģijas patēriņš griešanas laikā	25 W ± 20%	25 W ± 20%
Griešanas augstums	2-6 cm	2-6 cm
Griešanas platums	22 cm	22 cm
Iespējami šaurākais ceļš	60 cm	60 cm
Maksimālais griešanas zonas slīpums	35%	35%
Maksimālais robežvada slīpums	15%	15%
Maksimālais robežvada garums	800 m	800 m
Darba jauda ****)	1,000 m ²	1,500 m ²
Ieteicamā zonas platība	0 - 700 m ²	500 - 1,200 m ²
IP klasifikācija:		
Zāles plāvējs	IPX5	IPX5
Uzlādes stacija	IPX3	IPX3
Barošanas avots	IP67	IP67

RADIOFREKVENCES DATU LAPA

	LTE un GSM	Maza darbības attāluma ierīces (MDAI) (robežvads)
Frekvenču joslas	LTE-FDD: B1/B2/B3/B4/B5/B8/B12/B13/B18/ B19/B20/B25/B26/B27/B28/B66/B71/B85 GSM: 850/900/1800/1900 MHz	0~148.5KHz
Maksimālā izejas jauda (dBm)	LTE-FDD: 21 dBm +1.7/-3 dB GSM850/EGSM900: 33 dBm ±2 dB DCS1800/PCS1900: 30 dBm ±2 dB GSM850/EGSM900 (8-PSK): 27 dBm ±3 dB DCS1800/PCS1900 (8-PSK): 26 dBm ±3 dB	NA

*) Deklarētā trokšņa emisija atbilst EN 50636-2-107

***) mainīgi KWA, 2 dB (A)

****) mainīgi KPA, 2 dB (A)

*****) Darba jaudas deklarācija atbilst EGMF RLM004-1.0/2016 prasībām

ES atbilstības deklarācija

Ražotāja nosaukums un adrese:

Ražotājs: Globe Technologies Europe GmbH

Adrese: Brunnenweg 17, 64331 Weiterstadt, Vācija

Personas, kura pilnvarota sastādīt tehnisko dokumentāciju, vārds,

uzvārds un adrese:

Vārds, uzvārds: Ralf Pankalla

Adrese: Brunnenweg 17, 64331 Weiterstadt, Vācija



Ar šo mēs apliecinām, ka izstrādājums

Kategorija:	Robotizēts zāles pļāvējs
Modelis:	Greenworks Optimow 10/ Greenworks Optimow 15
Sērijas numurs:	Skatīt izstrādājuma nominālvērtību etiķeti.
Ražošanas gads	Skatīt izstrādājuma nominālvērtību etiķeti.

- atbilst Direktīvas 2006/42/EK par mašīnām attiecīgajiem noteikumiem;
- atbilst citu tālāk norādīto direktīvu noteikumiem:

- Elektromagnētiskā savietojamība – Direktīva 2014/30/ES;
- Radioiekārtas – Direktīva 2014/53/ES;
- Zemsprieguma Direktīva 2014/35/ES;
- dažu bīstamu vielu izmantošanas ierobežošanu elektriskās un elektroniskās iekārtās (RoHS) Direktīva 2011/65/ES un (ES) 2015/863.

- Turklāt mēs apliecinām, ka ir izmantoti tālāk norādītie standarti:

- EN 60335-1, EN 50636-2-107, EN 60335-2-29,
- EN 62233, EN 55014-1, EN 55014-2, EN 61000-3-2,
- EN 61000-3-3, EN 61558-1, EN 61558-2-16, EN 62311,
- EN 303 447, EN 303 413, EN 301 511,
- EN 301 489-1, EN 301 489-19, Проект ESTI EN 301 489-52,
- EN 62321-3-1, EN 62321-4, EN 62321-5, EN 62321-6,
- EN 62321-7-1, EN 62321-7-2, EN 62321-8

Ted Qu Haichao
Kvalitātes daļas direktors
Weiterstadt, 26.06.2021.

Ted Qu

Järgmised leheküljed sisaldavad ohutusjuhiseid, teenindust ja hooldust. Käitamise kohta vaadake masinaga kaasas olevat kiirjuhendit.

Lugege ja vaadake hoolikalt läbi kõik selles juhendis ja kiirjuhendis sisalduvad ohutusjuhised, hoiatused ja ettevaatusabinõud.

Kui neid juhiseid, hoiatusi ja ettevaatusabinõusid ei loeta ega järgita, võivad inimesed ja lemmikloomad saada raskeid vigastusi või surma või isiklik vara võib saada kahjustatud.

TÄIELIK KASUTUSJUHE ON SAADAVAL VEEBISAIDIL:

<https://url.globetools.systems/p58wO>

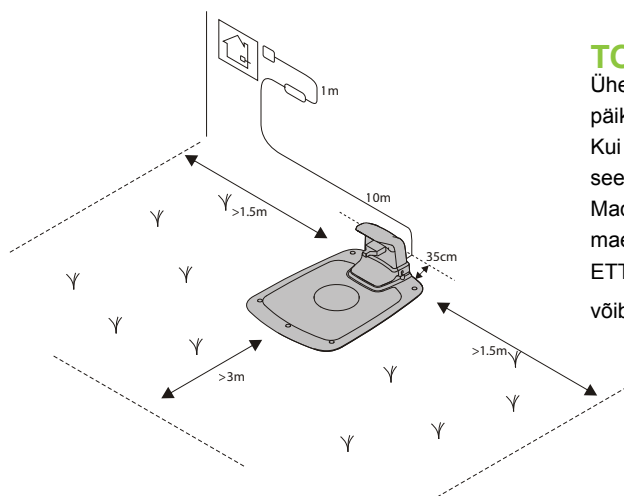
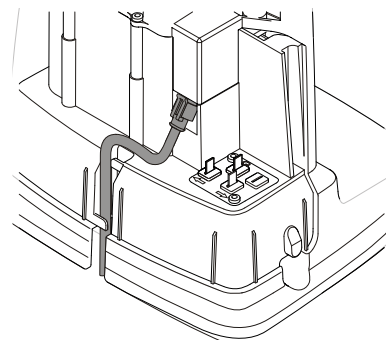
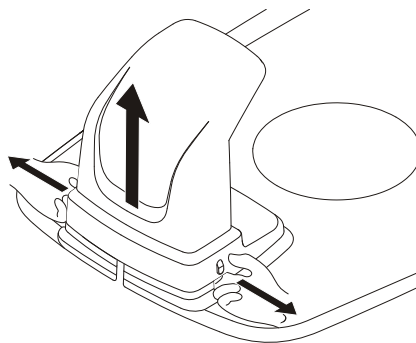
QR код:



Sisu

Paigaldus.....	201
Toiteallika ühendamine.....	201
Piiirdekaabli paigaldamine.....	201
Tooteohutus.....	202
Muruniidukil olevate sümbolite selgitus.....	202
Kasutusjuhendi lugemine.....	202
Tööohutus.....	204
Keskkonnakaitse.....	205
Tõrkeotsing.....	206
Muruniiduki LED-indikaatorituli.....	206
Piiirdekaabli ja juhtkaabli purunemine.....	206
Tehnilised andmed.....	207
EÜ vastavusdeklaratsioon.....	208

Selles juhendis olevad materjalid, tehnilised andmed ja joonised on ainult suunavad ega ole siduvad. Tootja jätab endale õiguse teha mistahes muudatusi tehnilistes omadustes ja kõigis tööomadustes, materjalides, tehnilistes andmetes või joonistes ilma eelneva hoiatuseta.



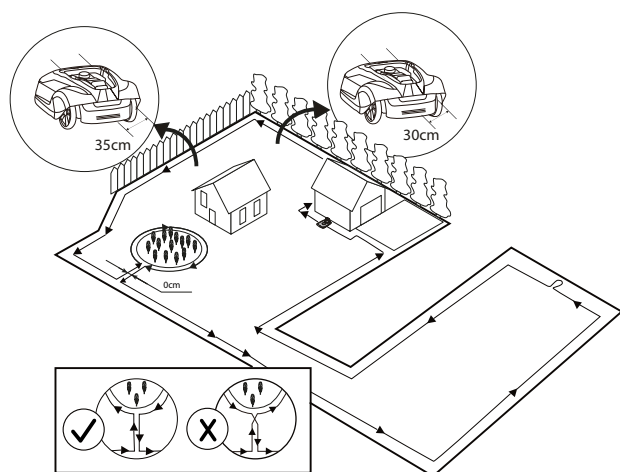
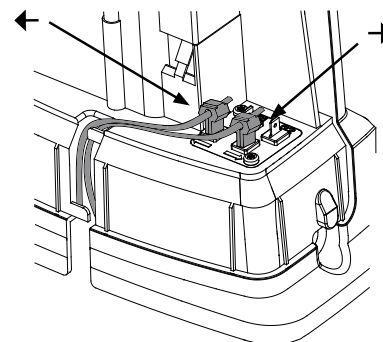
TOITEALLIKA ÜHENDAMINE

Ühendage toiteallikas jahedas ja kuivas keskkonnas, kaitstuna otsese päikesevalguse eest.

Kui toiteallikas on ühendatud välistingimustes asuvasse pistikupesasse, peab see olema lubatud välistingimustes kasutamiseks.

Madalpingekaabel võib läbida tööala, kui see on maha klammerdatud või maetud.

ETTEVAATUST! Ärge lõigake, ühendage ega muutke madalpingekaablit. See võib mõjutada tootegarantiid.



PIIRDEKAABLI PAIGALDAMINE

Asetage kaablrull laadimisjaama alla.

Minge tagasi ümber tööala piiri ja kinnitage piirdekaabel kas tihvtide abil või maasse maetuna. Soovitavad on tihvtid, kuna need võimaldavad reguleerimist esimestel tööandalatel.

Piirdekaabli kinnitamine tihvtidega:

- lõigake muru tavalise muruniiduki või trimmeriga väga madalaks seal, kuhu kaabli paigaldate.
- Asetage piirdekaabel maapinnale ja kinnitage tihvtidega.
- Suruge või lööge tihvtid maasse.

Ärge suruge tihvtid nii kaugemale maasse, et need survestaks piirdekaablit.

Piirdekaabli matmisel:

- Matke piirdekaabel 1–20 cm sügavusele maasse.



Vaadake piirdekaabli paigaldamise täielikku juhendit veebis.

Tooteohutus

Lisaks sellele kasutusjuhendile on täiendav teave saadaval veebilehel:

www.greenworkstools.eu.

MURUNIIDUKIL OLEVATE SÜMBOLITE SELGITUS



See on ohtlik elektritööriist. Kasutage töötamisel ettevaatlikult ning järgige kõiki ohutusjuhiseid ja hoiatusi.

Enne niiduki kasutamist lugege hoolikalt kasutusjuhendit.



Enne niiduki kallal töötamist või selle tõstmist eemaldage turvavõti.



Paiskuvate esemete oht töö ajal.

Hoidke töötamise ajal niidukist ohutusse kaugusesse ning hoidke inimesed, eriti lapsed, lemmikloomad ja kõrvalseisjad niiduki tööpiirkonnast eemal.



Ärge sõitke niiduki peal.



III klassi seade

KASUTUSJUHENDE LUGEMINE

Järgmised sümbolid on kasutusjuhendi lugemisel ja mõistmisel olulised.



Kandke kaitsekindaid

Kasutusjuhendi lihtsamini mõistetavaks tegemiseks on kasutatud järgmist süsteemi.

- **HOIATUS!** Hoiatustekstid hoiatavad kasutajaid ja tarbijaid ohtude olemasolust ja olemusest, et nad saaksid toote kasutamise ajal sobiva käitumisega vigastusi ära hoida.
- **ETTEVAATUST!** Ettevaatustekstid hoiatavad kasutajaid ja tarbijaid tootega seotud ohtude olemasolust ja olemusest, et nad saaksid toote kasutamise ajal sobiva käitumisega tootekahjustusi ära hoida.
- **MÄRKUS!** Märkused annavad kasutajatele ja tarbijatele lisateavet toote kasutamise kohta.
- Paksus kaldkirjas kirjutatud tekst viitab teisele jaotisele kasutusjuhendis.
- Paksus kirjas tekst viitab niiduki seadistustele.

Tooteohutus

OLULINE

ENNE KASUTAMIST LUGEGE TÄHELEPANELIKULT. HOIDKE EDASISEKS KASUTAMISEKS ALLES.

Ohutud käitamisviisid

Koolitus

HOIATUS! Automaatne muruniiduk! Hoidke masinast eemale! Jälgige lapsi!

- Lugege juhend hoolikalt läbi. Tutvuge juhtseadmetega ja seadme õige kasutamise põhimõtetega.
- Ärge lubage masinat kasutada lastel või inimestel, kes pole tutvunud käesoleva juhendiga. Kohalikud seadused võivad seada seadme kasutajatele vanusepiiranguid.
- Seadme kasutaja vastutab teiste inimeste või nende varaga juhtuvate õnnetuste eest.

Ettevalmistus

- Jälgige, et piirde- ja juhtkaablid paigaldatakse korrektselt, juhiste kohaselt.
- Kontrollige aeg-ajalt ala, kus masinat kasutama hakatakse ja eemaldage kõik kivid, pulgad, juhtmed, luud ja muud võõrkehad.
- Kontrollige aeg-ajalt visuaalselt ega lõikur, lõikuri polt ja lõikuri moodul kulunud või kahjustatud pole. Ühtlase töötulemuse huvides vahetage kahjustunud lõikureid ja polte alati komplektis.

Kasutamine

- Ärge kunagi kasutage seadet, mille kaitsepiirded on kahjustatud või millel puuduvad ohutusseadised, nt. korpus.
- Ärge asetage oma käsi või jalgu pöörlevate osade alla või lähedale.
- Ärge kunagi tõstke ega kandke töötava mootoriga masinat.
- Eemaldage blokeerimiseseade masinast (või kasutage seda)
 - enne ummistuse eemaldamist;
 - enne seadme kontrollimist, puhastamist või seadistamist;
- Ärge jätke masinat järelevalveta tööle, kui teate, et läheduses on lemmikloomi, lapsi või inimesi.

Hooldus ja hoistamine

- Ohutuse huvides jälgige regulaarselt, et kõik mutrid, poldid ja kruvid oleksid kinni.
- Vahetage kulunud või kahjustatud osad turvalisuse huvides välja.
- Veenduge, et kasutatakse ainult õiget tüüpi asenduslõikevahendeid.
- Veenduge, et akusid laaditakse õige, tootja soovitatud laadijaga. Ebaõige kasutamine võib põhjustada elektrilöögi, ülekuumenemise või söõvitava vedeliku lekke akust.
- Elektrolüüdi lekkimisel loputage vee/neutraliseeriva ainega. Kui aine satub silma vms, pöörduge arsti poole.
- Masinat tuleb hooldada vastavalt tootja juhiste.

HOIATUS! Aku laadimiseks kasutage ainult selle seadmega kaasas olevat eemaldatavat toiteallikat.

HOIATUS! See seade sisaldab akusid, mida saab vahetada ainult kogenud isik.

Kasutamine

MURUNIIDUKI KÄIVITAMINE JA SEISKAMINE

Muruniiduki käivitamine

- 1 Sisestage ohutusvõli ja pöörake seda vastupäeva asendisse „1“.
- 2 Lükake START-nupu riivi tahapoole.
- 3 Vajutage ja hoidke all START-nuppu.

Muruniiduki seiskamine

Vajutage muruniidukil olevat STOP-nuppu.

MURUNIIDUKI VÄLJALÜLITAMINE

Vajutage muruniidukil olevat STOP-nuppu ja eemaldage ohutusvõli.

HOIATUS! Eemaldage alati kaitsevõti, kui teete hooldust või kui niidukit tuleb teiselada.

Tööohutus

See kasutusjuhend sisaldab kogu põhiteavet niiduki ohutu käitamise ja hoolduse kohta.



Enne niiduki kasutamist lugege hoolikalt kõiki selles kasutusjuhendis olevaid ettevaatusabinõusid ja juhiseid. Säilitage kasutusjuhend edaspidiseks kasutamiseks. Järgige tootja juhiseid paigaldamise, kasutamise, hoolduse ja remondi kohta.

See niiduk on mõeldud muru niitmiseks avatud ja tasastel aladel. Kasutage ainult tootja soovitatud seadmeid. Igasugune muu kasutus on sobimatu.



See niiduk vastab CE-ohutusstandarditele ja direktiividele, mis käsitlevad elektromagnetilist ühilduvust, masinaid ja madalpinget.



Niidukit ei tohi kasutada vähenenud füüsiliste, sensoorsete või vaimsete võimetega või väheste kogemuste ja teadmistega isikud (sh. lapsed), välja arvatud juhul, kui nende turvalisuse eest vastutav isik on taganud piisava järelevalve ja juhendamise seadme kasutamise kohta.

Lastele tuleb selgitada, et nad ei tohi seadmega mängida.

Niidukit tohivad käitada, hooldada ja remontida ainult isikud, kes mõistavad täielikult selle eriomadusi ja ohutusnõudeid.

Käivitage niiduk vastavalt juhistele. Kui turvavõti on asendis Lubatud, hoidke oma käed ja jalad pöörlevatest teradest eemal.

Ärge kunagi asetage käsi ja jalgu niiduki alla.

Ärge muutke niiduki esialgset disaini. Kõik muudatused tühistavad garantii.

Lülitage niiduk välja, kasutades niiduki STOP-nuppu, kui niitmisalal on inimene, eriti lapsi või lemmikloomi. Soovitatav on niiduk programmeerida kasutamiseks tundidel, mil alal ei ole inimesi või lemmikloomi.

Eemaldage tööpiirkonnast esemed, nagu oksad, mänguasjad, kivid, tööriistad, mis võivad terasid kahjustada. Niiduk võib jääda tööpiirkonnas olevate esemete külge kinni ja võib vaja minna abi objekti eemaldamiseks, enne kui niiduk saab niitmist jätkata.

Ärge kunagi tõstke niidukit üles ega kandke seda, kui turvavõti on sisestatud.

Lülitage niiduk alati STOP-nupu abil välja, kui niidukit ei kasutata. Niiduk saab käivituda ainult siis, kui turvavõti on sisestatud ja START-nuppu on vajutatud.

Sisseehitatud alarm on väga vali. Olge ettevaatlik, eriti kui niidukit käsitletakse siseruumides.

Ärge kasutage niidukit defektse teraketta või korpusega.

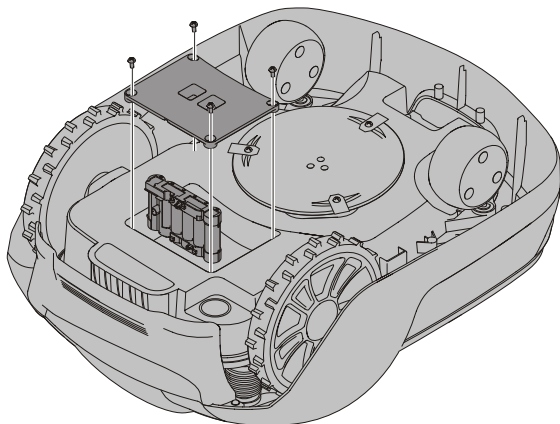
Ärge laske seda kasutada inimestel, kes ei tea, kuidas niiduk töötab ja käitub.

Ärge asetage midagi niiduki või selle laadimisjaama peale.



Niiduki teradega töötades kandke alati kaitsekindaid.

Aku vahetamine



HOIATUS! Elektrolüüdi lekke korral loputage veega / neutraliseeriva ainega ja pöörduge arsti poole, kui elektrolüüt puutub kokku silmadega.

Laadige akut ainult originaalses laadimisjaamas. Ebaõige kasutamine võib põhjustada elektrilöögi, ülekuumenemise või söövitava vedeliku lekke akust.

Aku on hooldusvaba, kuid selle piiratud kasutusiga on 2–4 aastat sõltuvalt hooaja pikkusest ja sellest, mitu tundi päevas niidukit kasutatakse.

HOIATUS! Enne akude vahetamist vajutage STOP-nuppu ja eemaldage turvavõti ning kandke kaitsekindaid.

ETTEVAATUST! Kasutage ainult originaalvaruosi.

Pöörake niiduk tagurpidi ja eemaldage neli Torx T20 kruvi ning eemaldage akukate.

Ühendage aku klemmi pistik lahti.

Tõstke aku otse välja.

Sisestage uus aku pesasse 1 (tagumine pesa).

Ühendage aku klemmi pistik uue akuga.

Pange akukate tagasi oma kohale ning sisestage ja keerake kinni neli Torx T20 kruvi.

Sisestage turvavõti niiduki alumisse külge ja keerake asendisse Luba.

Asetage niiduk laadimisjaama, et laadida akut.

Keskkonnakaitse



Vastavalt Euroopa seadusele 2012/19/EL tuleb elektri- ja elektroonikaseadmed, mis ei ole enam kasutuskõlblikud, ning

Euroopa seaduse 2006/66/EÜ kohaselt defektsed või kasutatud akud/akud, koguda eraldi ja kõrvaldada keskkonnasõbralikul viisil.

Niidukil või selle pakendil olev sümbol näitab, et seda toodet ei saa käidelda olmejäätmetena. Selle asemel tuleks see elektroonikakomponentide ja akude ringlussevõtmiseks jätta sobivasse taaskasutuskeskusesse.

Akud asuvad suletult niiduki all olevas šassiis.

Kui tagate selle toote õige hooldamise, saate aidata vältida võimalikku negatiivset mõju keskkonnale ja inimestele, mis võib muul juhul tekkida selle toote valest jäätmekäitlusest.

Täpsema teabe saamiseks selle toote ringlussevõtu kohta võtke ühendust oma kohaliku omavalitsuse, olmejäätmete talitusega või kauplusega, kust toote ostsite.



Kasutatud masina ja pakendite eraldi kogumine võimaldab materjalide utiliseerimist ja uuesti kasutamist. Utiliseeritud materjalide kasutamine aitab vältida keskkonnsaastet ja vähendab vajadust toorainete järele.

Batteries



Li-ion

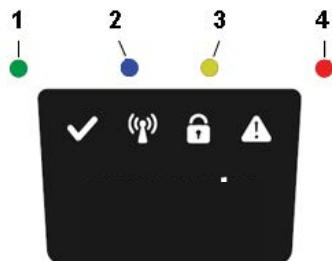
Kasuliku tööea lõpus vabanega akudest vastavalt keskkonda hoides. Akud sisaldavad teile ja keskkonnale ohtlikke materjale.

Need materjalid tuleb kõrvaldada eraldi, liitium-ioonakusid vastu võtvas seadmes.

Tõrkeotsing

Selles jaotises on toodud ka mõni sümptom, mis võib anda teile suuniseid, kui niiduk ei tööta ootuspäraselt.

MURUNIIDUKI LED-INDIKAATORITULI



LED	OLEK	TÄHENDUS	TEGEVUS
1. Töötab (roheline)	Vilgub	Taastamisrežiim	Asetage robot laadimisjaama kuni 5 tunniks ja oodake, kuni roheline LED-tuli vilkumise lõpetab. Kui LED-tuli ei lakka vilkuma, taaskäivitage robot väljaspool laadimisjaama ja proovige uuesti.
	Sees	Niiduk töörežiimis (laadimine, laadimisjaama pargitud, peatatud, niitmas või otsimas)	
	Väljas	Niiduk peatatud niiduki STOP-nupuga, ohutusvõti asendis Keelatud, niiduk on veaseisundis või niiduk ootab PIN-koodi.	
2. Ühendumine (sinine)	Vilgub	Ühenduse loomine internetiserveriga	
	Sees	Ühendatud internetiserveriga	
	Väljas	Niiduk ei ole sisselülitatud režiimis	
3. Turvalisus (kollane)	Vilgub	Vajalik on PIN-koodi kinnitamine	mobiilirakenduse kaudu
	Väljas	PIN-kood ei ole vajalik	Ükski toiming ei ole vajalik
4. Viga (punane)	Vilgub	Niiduk on peatatud vea tõtt	Kontrollige vea põhjust ja seejärel taaskäivitage, vajutades niiduki nuppu Start.

PIIRDEKAABLI JA JUHTKAABLI PURUNEMINE

Piirdekaabli ja juhtkaabli (kui need on paigaldatud) purunemised on tavaliselt tahtmatu füüsilise kahjustuse tagajärg.

Kontrollige kogu piirdekaablit laadimisjaamast ja tagasi.

Kontrollige juhtkaablit (kui see on paigaldatud) laadimisjaamast kuni piirdekaabli ühenduskohani.

Kontrollige, kas kõik ühendused on ühenduste loomiseks korralikult kokku surutud.

Tehnilised andmed

	OPTIMOW 10	OPTIMOW 15
Mõõdud		
Kõrgus	26 cm	26 cm
Pikkus	62 cm	62 cm
Laius	50 cm	50 cm
Kaal	11 kg	11 kg
Elektrisüsteem_		
Aku, spetsiaalne liitium-ioonaku	24 V / 2,0 Ah, Osa nr 211022355 / T0100607-00	24 V / 2,0 Ah, Osa nr 211022355 / T0100607-00
Toiteallikas	220-240 V/32 V ALALISVOOL	220-240 V/32 V ALALISVOOL
Madalpingekaabli pikkus	10 m	10 m
Keskmine energiatarve maksimaalsel kasutamisel	8 kWh/kuus tööalal suurusega 1,000 m ²	10 kWh/kuus tööalal suurusega 1,500 m ²
Laadimisvool	1,3 A DC	1,3 A DC
Keskmine laadimisaeg	140 minutit	70 minutit
Keskmine lõikeaeg	70 minutit	70 minutit
Müraemissioon: *)		
Mõõdetud helivõimsuse tase **)	55 dB (A)	55 dB (A)
Garanteeritud helivõimsuse tase	57 dB (A)	57 dB (A)
Helirõhu tase ***)	44 dB (A)	44 dB (A)
Niitmise		
Lõikesüsteem	Kolm pöörlevat lõiketera	Kolm pöörlevat lõiketera
Keskmine energiatarve niitmise ajal	25 W ± 20%	25 W ± 20%
Lõikekõrgus	2-6 cm	2-6 cm
Lõikelaius	22 cm	22 cm
Kitsaim võimalik läbimine	60 cm	60 cm
Niitmisaala maksimaalne kalle	35%	35%
Piirdekaabli maksimaalne kalle	15%	15%
Piirdekaabli maksimaalne pikkus	800 m	800 m
Töövõime ****)	1,000 m ²	1,500 m ²
Soovitav pindala	0 - 700 m ²	500 - 1,200 m ²
IP-klassifikatsioon		
Muruniiduk	IPX5	IPX5
Laadimisjaam	IPX3	IPX3
Toiteallikas	IP67	IP67

RAADIOSAGEDUSE TEABELEHT

	LTE & GSM	Lähtoimeseadmed (SRD) (piirdekaabel)
Sagedusribad	LTE-FDD: B1/B2/B3/B4/B5/B8/B12/B13/B18/ B19/B20/B25/B26/B27/B28/B66/B71/B85 GSM: 850/900/1800/1900 MHz	0~148.5KHz
Maksimaalne väljundvõimsus (dBm)	LTE-FDD: 21 dBm +1.7/-3 dB GSM850/EGSM900: 33 dBm ±2 dB DCS1800/PCS1900: 30 dBm ±2 dB GSM850/EGSM900 (8-PSK): 27 dBm ±3 dB DCS1800/PCS1900 (8-PSK): 26 dBm ±3 dB	NA

*) Müraemissiooni deklaratsioonid vastavad standardile EN 50636-2-107

**) määratus KWA, 2 dB (A)

***) määratus KPA, 2 dB (A)

****) Töövõime deklaratsioon vastab EGMF RLM004-1.0/2016 nõuetele.

EÜ vastavusdeklaratsioon

Tootja nimi ja aadress:

Tootja: Globe Technologies Europe GmbH

Aadress: Brunnenweg 17, 64331 Weiterstadt, Saksamaa

Tehnilise toimiku koostamise volitustega isiku nimi ja aadress:

Nimi: Ralf Pankalla

Aadress: Brunnenweg 17, 64331 Weiterstadt, Saksamaa



Käesolevaga kinnitame, et toode

Liik:	Роботизирана ливадна косачка
Mudel:	Greenworks Optimow 10/ Greenworks Optimow 15
Seerianumber	Vt toote andmesilti
Tootmise aasta	Vt toote andmesilti

- vastab asjakohase masinadirektiivi 2006/42/EÜ nõuetele.
- vastab teiste järgnevatel direktiivide nõuetele:

- Elektromagnetiline ühilduvus: direktiiv 2014/30/EL
- Raadioseadmete direktiiv 2014/53/EL
- Madalpinge direktiiv 2014/35/EL
- Määrus teatud ohtlike ainete kasutamise piiramise kohta elektrija elektroonikaseadmetes (RoHS-direktiiv) 2011/65/EL ja (EL)

2015/863

- Lisaks kinnitame, et on kasutatud järgnevaid standardeid:

- EN 60335-1, EN 50636-2-107, EN 60335-2-29,
- EN 62233, EN 55014-1, EN 55014-2, EN IEC 61000-3-2,
- EN 61000-3-3, EN 61558-1, EN 61558-2-16, EN 62311,
- EN 303 447, EN 300 328, EN 301 489-1, EN 301 489-3, EN 301 489-17,
- EN 62321-3-1, EN 62321-4, EN 62321-5, EN 62321-6,
- EN 62321-7-1, EN 62321-7-2, EN 62321-8

Ted Qu Haichao
Kvaliteedijuht
Weiterstadt, 26.06.2021

Ted Qu

greenworks®



GREENWORKSTOOLS.EU